

AGREEMENT

This is an AGREEMENT made and entered into this _____ day
of _____, 20 _____, by and between the County of Humboldt, a
political subdivision of the State of California (hereinafter referred to as COUNTY)
and _____ McCullough Construction, Inc.,
a corporation organized and existing under the laws of the State of _____ California _____,
hereinafter referred to as "CONTRACTOR".

Section 1 - SCOPE OF WORK

Contractor shall furnish all Labor, Tools and Materials and perform all the work for the:

**HUMBOLDT BAY TRAIL SOUTH PROJECT
PROJECT NO.: RPSTPL-5904(143), RPL-5904(180), &
ATPL-5904(182)
CONTRACT NO.: 715036**

in accordance with the contract documents referred to in Section 3 of this Agreement.

Section 2 - CONTRACT PRICE

County shall pay, and Contractor shall accept Contractor's Bid Prices, as shown on EXHIBIT "A" attached hereto and made a part hereof, as full compensation for furnishing all materials and for doing all the work contemplated and embraced in this Agreement; also for all loss or damage, arising out of the work aforesaid, or from the actions of the elements, or from any unforeseen difficulties or obstructions which may arise or be encountered in the prosecution of the work until its acceptance by County, and for all risks of every description connected with the work; also for all expenses incurred by or in consequence of the suspension or discontinuance of the work and for well and faithfully completing the work, and the whole thereof, in the manner and according to the Plans and Specifications, and the requirements of the Engineer.

Section 3 - CONTRACT DOCUMENTS

The complete contract between the parties hereto shall consist of the following, hereinafter referred to as the CONTRACT DOCUMENTS:

- Notice to Bidders
- Plans and Drawings
- Bid Form
- Bidder's Bond
- Supplemental Project Information
- Performance Bond
- Payment Bond
- This Agreement
- Special Provisions

And, as published by the Department of Transportation, State of California, except as modified by the Special Provisions:

- Standard Plans - dated 2022
- Revised Standard Plans - dated 10-21-22
- Standard Specifications - dated 2022
- Equipment Rental Rates in effect at the time the work is performed

And, as published by the California Department of Industrial Relations, and the California Business, Transportation and Housing Agency:

- General Prevailing Wage Rates
- Labor and Surcharge Rates

And any addenda to any of the above documents, all of which are on file in the office of the Director of Public Works of the County of Humboldt. Each of said CONTRACT DOCUMENTS is incorporated and made a part of this Agreement by the reference contained in this Section.

All rights and obligations of the County and the Contractor are fully set forth and described in the Contract Documents. All of the above named documents are intended to be complimentary, so that any work called for in one, and mentioned in the other is to be performed and executed the same as if mentioned in all said documents.

Section 4 - BEGINNING OF WORK

Following receipt and full execution and approval of the Contract Documents, and posting of the requisite Bonds as called for therein, the COUNTY will issue a "Notice to Proceed". Under no circumstances shall the CONTRACTOR enter upon the site of work until receipt of the "Notice to Proceed", or unless so authorized in writing by the COUNTY.

Section 5 - TIME OF COMPLETION

The work called for in this Agreement shall be commenced within 55 days of receipt of Notice to Proceed by COUNTY and shall be fully completed within a period of 160 working days beginning on the 55 calendar day after the date of said approval of contract.

Section 6 - PREVAILING WAGE

Copies of the prevailing wage rates of per diem wages are on file in the Humboldt County Public Works office at 1106 Second Street, Eureka, California and are available to any interested person on request.

Section 7 - WORKERS' COMPENSATION

By my signature hereunder, as CONTRACTOR, I certify that I am aware of the provisions of Section 3700 of the Labor Code which requires every employer to be insured against liability for Workers' Compensation or to undertake self insurance in accordance with the provisions of that code, and I will comply with such provisions before commencing the performance of the work of this contract.

Section 8 - COMPLIANCE WITH LAWS

The Contractor agrees to comply with all local, state, and federal laws and regulations, including but not limited to the Americans With Disabilities Act. The Contractor further agrees to comply with any applicable federal, state or local licensing standards, any applicable accrediting standards, and any other applicable standards or criteria established locally or by the state or federal governments.

This agreement shall be governed by and construed in accordance with the laws of the State of California.

Section 9 - NOTICES

All notices shall be in writing and delivered in person or transmitted by mail. Notices required to be given to the COUNTY shall be addressed as follows:

Humboldt County Department of Public Works
1106 Second Street, Eureka, California, 95501

Notices required to be given to CONTRACTOR shall be addressed as follows:

IN WITNESS WHEREOF, The parties hereto have entered into this Agreement as of the date first above set forth.

COUNTY OF HUMBOLDT

(SEAL) BY _____
Chair, Board of Supervisors
of the County of Humboldt,
State of California

ATTEST:

KATHY HAYES
Clerk of the Board of Supervisors
of the County of Humboldt,
State of California

BY _____
Clerk of the Board

McCULLOUGH CONSTRUCTION, INC.

BY _____

TITLE _____

BY _____

TITLE _____

(Two Signatures Required For Corporation)

APPROVED AS TO FORM:

BY N / A
Deputy County Counsel

INSURANCE CERTIFICATES REVIEWED
AND APPROVED:

BY N / A
Risk Manager

BID FORM (EXHIBIT A)
HUMBOLDT BAY TRAIL SOUTH PROJECT
PROJECT NO.: RPSTPL-5904(143), RPL-5904(180), & ATPL-
5904(182)
CONTRACT NO.: 715036

BASE BID SCHEDULE

ITEM NO.	ITEM CODE	ITEM DESCRIPTION	UNIT	QTY	UNIT PRICE	TOTAL
1	050000	Construction Surveys	LS	1	30,180.00	30,180.00
2	120100	Traffic Control System	LS	1	20,612.00	20,612.00
3	130100	Job Site Management	LS	1	306,326.00	306,326.00
4	130300	Prepare Storm Water Pollution Prevention Plan	LS	1	2,000.00	2,000.00
5	130310	Rain Event Action Plan	EA	20	\$500	\$10,000
6	130320	Storm Water Sampling and Analysis Day	EA	10	160.00	1,600.00
7	130330	Storm Water Annual Report	EA	2	\$2,000	\$4,000
8	130610	Temporary Check Dam	LF	510	10.00	5,100.00
9	130640	Temporary Fiber Roll	LF	21532	5.00	107,660.00
10	130680	Temporary Silt Fence	LF	3817	8.00	30,536.00
11	130900	Temporary Concrete Washout	LS	1	5,000.00	5,000.00
12	141001	Health and Safety Plan	LS	1	3,500.00	3,500.00
13	153125	Remove Concrete (Driveway)	LS	1	2,500.00	2,500.00
14	155000	Remove Railroad Track	LF	6589	43.83	288,795.87
15	157000	Salvage Steel Grating	LS	1	3,000.00	3,000.00
16	170103	Clearing and Grubbing (LS)	LS	1	738,398.00	738,398.00
17	190101	Roadway Excavation	CY	4298	37.46	161,003.08
18	190102	Roadway Excavation (Unfit Material)	CY	815	91.75	74,776.25
19	192003	F Structure Excavation (Bridge)	CY	153	209.92	32,117.76
20	193003	F Structure Backfill (Bridge)	CY	98	407.16	39,900.48
21	194002	F Ditch Excavation (Tidal Channel)	CY	274	105.92	29,022.08
22	198050	F Embankment	CY	34177	55.35	1,891,696.95
23	198205	Subgrade Enhancement Geotextile	SQYD	13579	5.73	77,807.67
24	198215	Subgrade Enhancement Geogrid	SQYD	36532	6.98	254,993.36
25	198251	Geosynthetic Reinforcement (Uniaxial Geogrid)	SQYD	1332	11.83	15,757.56
26	198252	Geosynthetic Reinforcement (Biaxial Geogrid)	SQYD	964	11.43	11,018.52
27	210271	Rolled Erosion Control Product (Netting, Type B)	SQFT	136546	0.90	122,891.40
28	210272	Rolled Erosion Control Product (Netting, Type C)	SQFT	11591	1.70	19,704.70
29	210350	Fiber Rolls	LF	19767	5.90	116,605.30
30	210430	Hydroseed	SQFT	306623	0.20	61,324.60
31	260203	Class 2 Aggregate Base (CY)	CY	6518	134.36	875,758.98
32	260400	Clean Ballast Rock	LS	1	48,883.40	48,883.40
33	260450	Ballast Rock	TON	331	85.10	28,187.90
34	390095	Replace Asphalt Concrete Surfacing	CY	43	275.00	11,825.00
35	390132	Hot Mix Asphalt (Type A)	TON	4799	156.00	748,644.00
36	490740	P Furnish Piling (Class 90) (Alternative V)	LF	2540	74.71	189,763.40
37	490741	Drive Piling (Class 90) (Alternative V)	EA	42	6,104.78	256,400.76

38	495115	P	Furnish 24" Cast-In-Steel Shell Concrete Piling	LF	494	142.10	70,227.04
39	495116		Drive 24" Cast-In-Steel Shell Concrete Piling	EA	6	6,104.78	36,628.08
40	510051	F	Structural Concrete, Bridge Footing	CY	33	2,107.15	71,515.95
41	510053	F	Structural Concrete, Bridge	CY	119	2,211.02	263,182.78
42	511112		Drill and Bond Dowel (Chemical Adhesive)	EA	414	20.00	8,280.00
43	512355	P	Furnish Precast Prestressed Slab (15 in)	SQFT	576	129.00	74,304.00
44	512356	P	Furnish Precast Prestressed Slab (21 in)	SQFT	2004	113.25	226,953.00
45	512357	P	Furnish Precast Prestressed Slab (30 in)	SQFT	960	169.00	162,240.00
46	512515		Erect Precast Prestressed Concrete Slab	EA	15	15,304.33	229,640.70
47	520110		Bar Reinforcing Steel (Epoxy Coated) (Bridge)	LB	34707	3.37	116,962.59
48	540100	F	Deck Seal	SQFT	2980	7.00	20,860.00
49	570121	F	Treated Lumber and Timber (Bridge) (Trail Surface)	MFBM	17	17,392.86	295,678.62
50	570122		Treated Lumber (Wooden Retaining Border)	LF	147	25.00	3,675.00
51	575045		Treated Timber Pedestrian Railing	LF	1476	66.45	98,080.20
52	590122		Clean and Paint Steel Piling Shell	LS	1	20,000.00	20,000.00
53	590124		Clean and Paint Galvanized Pedestrian Railing	LS	1	1,400,000.00	1,400,000.00
54	600013		Repair Spalled Surface Area	SQFT	2	1,200.00	2,400.00
55	600014		Repair Girder End Side Anchorage	EA	84	625.00	52,500.00
56	600131		Remove Bridge Cable Railing and Posts	LS	1	9,500.00	9,500.00
57	600132		Clean and Cover Expansion Joint	EA	21	2,200.00	46,200.00
58	641107		18" Plastic Pipe	LF	176	207.46	36,512.96
59	705311		18" Alternative Flared End Section	EA	6	700.00	4,200.00
60	705518		18" Automatic Drainage Gate (HDPE)	EA	3	1,800.00	5,400.00
61	710131		Remove Culvert (18") (EA)	EA	4	300.00	1,200.00
62	710133		Remove Culvert (60") (EA)	EA	2	1,200.00	2,400.00
63	720110	F	Small-Rock Slope Protection	CY	1103	124.86	143,235.58
64	723055		Rock Slope Protection (1/4 T, Class V, Method B) (TON)	TON	3403	95.46	324,850.38
65	723075		Rock Slope Protection (150 lb, Class III, Method B) (TON)	TON	1825	92.17	168,210.25
66	723100		Rock Slope Protection (20 lb, Class I, Method B) (TON)	TON	10642	60.09	639,477.78
67	730015		Minor Concrete (Flush Curb, Type A) (LF)	LF	3383	51.76	175
68	730016		Minor Concrete (Flush Curb, Type B) (LF)	LF	1995	30.03	59,909.85
69	730070		Detectable Warning Surface	SQFT	260	81.00	21,066.00
70	731517		Minor Concrete (Driveway)	SQFT	102	66.00	6,732.00
71	731525		Minor Concrete (Trail)	SQFT	301	43.00	12,943.00
72	750501	F	Miscellaneous Metal (Bridge)	LB	5900	40.00	236,000.00
73	750503		Removable Metal Bollard	EA	2	2,900.00	5,800.00
74	770095		Lighting System (Solar)	LS	1	97,000.00	97,000.00
75	780210		Survey Monument (Type A)	EA	5	1,160.00	5,800.00
76	782125		Relocate Ladder	LS	1	2,000.00	2,000.00
77	791000		Bench	EA	4	4,500.00	18,000.00
78	792000		Trail Counter System	EA	2	5,750.00	11,500.00
79	793000		Flangeway Filler System	LF	1856	33.40	61,990.40
80	794008		Replace Treated Timber Crosstie (8" x 8" x 8')	EA	125	858.98	107,372.50
81	794010		Replace Treated Timber Crosstie (8" x 10")	EA	74	641.98	47,506.52

82	800305		Chain Link Fence (Type CL-3.5, Vinyl-Clad)	LF	5092	39.10	199,697.20
83	800361		Chain Link Fence (Type CL-6, Vinyl-Clad)	LF	569	69.90	39,773.10
84	800405		6' Welded Wire Fence	LF	1958	74.50	145,871.00
85	803020		Remove Fence	LF	1755	4.50	7,897.50
86	820230		Remove Sign	EA	5	120.00	600.00
87	820590		Relocate Roadside Sign - One Post	EA	7	375.00	2,625.00
88	820840		Roadside Sign - One-Post	EA	6	635.00	3,810.00
89	820845		Trail Sign - One-Post	EA	18	375.00	6,750.00
90	820855		Interpretive Sign - Two-Post	EA	3	1,350.00	4,050.00
91	833092	F	Metal Pedestrian Railing	LF	755	434.58	328,107.90
92	840504		4" Thermoplastic Traffic Stripe	LF	29076	1.75	50,883.00
93	840505		6" Thermoplastic Traffic Stripe	LF	284	6.00	1,704.00
94	840515		Thermoplastic Pavement Marking	SQFT	976	19.00	18,544.00
95	999990		Mobilization	LS	1	1,298,414.00	1,298,414.00

BASE BID TOTAL 12,878,531.14 ✓

ADDITIVE BID SCHEDULE

ITEM NO.	ITEM CODE	ITEM DESCRIPTION	UNIT	QTY	UNIT PRICE	TOTAL
96	794008	Replace Treated Timber Crossie (8" x 8" x 8')	EA	353	296.94	104,819.82

ADDITIVE BID TOTAL 104,819.82 ✓

NOTE: ITEM CODE LETTER DESIGNATION; P=PARTIAL PAY ITEM, F=FINAL PAY QUANTITY

ACKNOWLEDGEMENT OF ADDENDA

ADDENDUM NO.	INITIAL
1 - 02/23/2023	CR
2 - 3/02/2023	CR
3 - 3/9/2023	CR
4 - 3/10/2023	CR

J.M. Carlos
 (Bidder's Signature)
PRESIDENT
 (Title)



County of Humboldt
Department of Public Works
1106 Second Street
Eureka, CA 95501
TEL (707) 445-7377
ADDENDUM NO. 1
(Issued February 23, 2023)

HUMBOLDT BAY TRAIL SOUTH
PROJECT NO.: RPSTPL-5904(143), RPL-5904(180), & ATPL-5904(182)
CONTRACT NO.: 715036

Per project specifications, Notice to Bidders, a mandatory pre-bid meeting was held on Tuesday, February 21, 2023 at 2:00 PM at 5151 US-101, Eureka, CA. The following items are included in this addendum:

Pre-bid Meeting MINUTES – Attachment 1

Pre-bid Meeting SIGN-IN SHEET- Attachment 2

Approved:

Jeffrey A. Ball
RCE 70631, Expires 06/30/2023

2-23-2023

Date

I M P O R T A N T

This Addendum is being sent EMAIL/FAX. To indicate receipt of this Addendum please sign and send back to the Department of Public Works.

EMAIL: PWEngineering@co.humboldt.ca.us
or FAX: (707) 445-7409

Received by:

Date

2/24/2023

Company:

McCullough Construction, Inc.

Pages

Received 6

Total Pages Sent 6

ATTACHMENT 1

PRE-BID MEETING MINUTES

Project: Humboldt Bay Trail South
Contract #: 715036
Date/Time: Tuesday, February 21, 2023 – 2:00 pm
Location: California Redwood Company Brainard Mill Site (5151 U.S. Highway 101)

Driving Directions: Enter gate by guard house, park at TCE 5, meet in Dry Lumber Shed to review agenda

1. **PURPOSE:** The purpose of this pre-bid meeting is to provide contractors the opportunity to access and view representative locations on the construction area (Segments 5 and 6) located behind California Redwood Company's (CRC's) gates and fence.

This meeting does not include a presentation of the overall project design and is not intended to be a venue for detailed questions and answers. Questions regarding the bid package should be submitted in writing via email (PWEngineering@co.humboldt.ca.us) or fax (707) 445-7409 for incorporation into an addendum.

2. **SIGN-IN SHEET**
 - a. **Mandatory Pre-Bid Meeting.** Contractors who submit bids without signing-in will be considered non-responsive.
3. **INTRODUCTIONS**
 - a. Humboldt County, GHD, Ghirardelli & Associates, Contractors
 - b. An addendum will document any responses to questions asked during this meeting.
4. **PROJECT DESCRIPTION**
 - a. Project Plans – Project area is subdivided into nine segments; structure plans
 - b. Special Provisions – Federal Provisions, 160 working days, Engineer's Estimate \$12,648,902 (Base Bid), Additive Bid Schedule, Bid Opening March 14, 2023
 - c. Regulatory Permits, Encroachment Permits, Soil and Groundwater Management Plan, CEQA Mitigation Measures, ECR are all part of the contract documents and available on Public Works Website (<http://humboldt.gov/Bids.aspx>)
5. **SEGMENT 5/6 CONSTRUCTION (Station "M" 76 to "M" 130)**
 - a. Three primary typical sections on the levee (Sheet 10 of Project Plans)
 - b. Six access ramps
 - c. Six Temporary Construction Easement (TCE) areas
 - d. Two trail bridges (South CRC Bridge and North CRC Bridge)
6. **CLEARING AND GRUBBING**
 - a. The California Conservation Corps is clearing vegetation to ground level.
 - b. Contractor will be responsible for grubbing.
7. **SITE VISIT**
 - a. Drive from TCE 5 to Ramp #1
 - b. Walk on levee where vegetation has been cleared (distance will depend on weather)
 - c. Drive to office building on north side (near TCE 6)
 - d. Walk on levee to North CRC Bridge (Station "M" 130+00)
 - e. Exit property through gate by guard house



Humboldt Bay Trail South Project

Overview Map

HUMBOLDT COUNTY DEPARTMENT OF PUBLIC WORKS
 PRE-BID MEETING SIGN-IN SHEET
 HUMBOLDT BAY TRAIL SOUTH; CONTRACT #715036

NAME	COMPANY NAME & ADDRESS	PROJECT AFFILIATION	PHONE NUMBER & E-MAIL ADDRESS
HANK SEEMANN <i>HBS</i>	HUMBOLDT COUNTY 1106 SECOND ST EUREKA, CA 95501	DEPUTY DIRECTOR NATURAL RESOURCES	(707)445-7741, hseemann@co.humboldt.ca.us
JEFF BALL <i>JB</i>	HUMBOLDT COUNTY 1106 SECOND ST EUREKA, CA 95501	DESIGN ENGINEER	(707) 445-7377 jball@co.humboldt.ca.us
ANGI SORENSEN <i>AS</i>	HUMBOLDT COUNTY 1106 SECOND ST EUREKA, CA 95501	CONSTRUCTION ENGINEER	(707) 445-7448, asorensen@co.humboldt.ca.us
JOSH WOLF <i>W</i>	GHD INC. 718 THIRD ST EUREKA, CA 95501	PROJECT ENGINEER	(707) 443-8326 josh.wolf@ghd.com
<i>Russell Dutra</i>	<i>HumCo</i>	<i>Eng Tech</i>	<i>(707) 445-7377</i>
<i>David Orluck</i>	<i>HumCo</i>	<i>SR Environmental Analyst</i>	<i>707-268-2664 dorluck@co.humboldt.ca.us</i>
<i>M. Ize Strain</i>	<i>Ghivardeni</i>	<i>Inspector</i>	<i>707-298-0138</i>
<i>John Thomas</i>	<i>Mercer-Fraser Company</i>	<i>PM</i>	<i>jthomas@mercerfraser.com 530-276-5539</i>
<i>John Matteucci</i>	<i>Steelhead Constructors JV</i>	<i>Operations Mgr.</i>	<i>530-722-5105 estimating@steelheadconstructors.com</i>
<i>Lee O'Reilly</i>	<i>McCullough Construction Inc</i>	<i>PM</i>	<i>707-601-2015 lee@mculloughconstructioninc.com</i>
<i>Cliff Parleton</i>	<i>McCullough Const</i>	<i>Estimator</i>	<i>707-601-6567 cliffparleton@mculloughconstructioninc.com</i>

NAME	COMPANY NAME & ADDRESS	PROJECT AFFILIATION	PHONE NUMBER & E-MAIL ADDRESS
Tracy Poff	GRS Arcata ca	Estimator Prime Contractor	707-825-6565 GRS@grsinc.biz
Rick Olson	RAO Const. 70 Box 28 Cullen 95524		707-443-2118 raoconstruction17@gmail
Shay Westrip	Stewart Engineering Inc	Estimator	530-949-3424 Swestrip@sebinc.net
Terry Richards	GRANITE CONSTRUCTION	ESTIMATOR	707-467-4114 terry.richards@gcinc.com
Charles Hayler	Chirardelli Associates	Construction Management	916-472-9122 chayler@chirardelliassoc.com
CAMILLE PENNY	GHD EUREKA, CA	DESIGNER	504 289 1714 CAMILLE.PENNY@GHD.COM
Kristina Davis	RAO Construction Co., Inc.	Prime Contractor	(707)443-2118 raoconstruction17@gmail.com
RICK OLSON	RAO Construction Co., Inc.	Prime Contractor	" "
WAYNE MANNING	STEVE MANNING CONST	" "	530 222 0810
GARY MANHART	LACO ASSOCIATES	TEL	707-443-5054 manhartg@lacoassociates.com
Greg Hufford	Wahlund Construction, Inc.	Prime Contractor	707-498-3779 Bids@wahlcon.com

HUMBOLDT COUNTY DEPARTMENT OF PUBLIC WORKS
PRE-BID MEETING SIGN-IN SHEET
HUMBOLDT BAY TRAIL SOUTH; CONTRACT #715036

NAME	COMPANY NAME & ADDRESS	PROJECT AFFILIATION	PHONE NUMBER & E-MAIL ADDRESS
Matt McKeon	Ghirardelli Assoc	CM	MMcKeon@Ghirardelli Assoc 707-591-2656

Assoc
-CM



County of Humboldt
Department of Public Works
1106 Second Street
Eureka, CA 95501
TEL (707) 445-7377

ADDENDUM NO. 2
(Issued March 2, 2023)

HUMBOLDT BAY TRAIL SOUTH
PROJECT NO.: RPSTPL-5904(143), RPL-5904(180), & ATPL-5904(182)
CONTRACT NO.: 715036

The Special Provisions and Plans are hereby modified in accordance with the following:

1. *Add the following to the "Description" column of the Supplemental Project Information table in section 2-1.06B (page 7) of the Special Provisions:*
 - Grant of Public Trail Easement from the California Redwood Company, February 2022
 - Temporary Construction Easement Agreement with Bracut Lumber Company, February 2022
 - Humboldt Bay Trail South Cross Sections, March 2023

2. *Add the following to Section 13-4.01A:*

Job site management includes providing temporary fencing in accordance with the requirements of the temporary construction easements granted for the project (see section 2.-1.06B).

3. *Replace Section 13-4.02 with the following:*

Temporary fencing type shall be subject to approval of the department. Acceptable fence systems include temporary high-visibility fence or temporary chain link. Temporary fencing shall be at least 6 feet tall.


4. *Replace Section 13-4.04 with the following:*

Temporary fencing is included in the payment for job site management.

I M P O R T A N T

This Addendum is being sent EMAIL/FAX. To indicate receipt of this Addendum please sign and send back to the Department of Public Works.

EMAIL: PWEngineering@co.humboldt.ca.us
or FAX: (707) 445-7409

Received by:  Date 3/2/2023

Company: McCullough Construction, Inc. # Pages Received 6

Total Pages Sent 6

5. **Replace the first sentence of section 14-1.02 (page 71) of the Special Provisions with:**

ESA boundaries are shown on the plans.

6. **Replace the first paragraph of section 14-6.03C (page 73) of the Special Provisions with:**

To protect the most vulnerable life stages of sensitive fish species that occur within the project area, all pile driving, tidal channel, in-water and in-bay work shall be restricted to the period between July 1 and September 30.

7. **Replace the third paragraph of section 14-11.02 (page 76) of the Special Provisions with:**

Site Conditions

Concentration data and sample location maps for potentially contaminated material are included in the Soil and Groundwater Management Plan.

8. **Replace the last paragraph of section 14-11.11A (page 78) of the Special Provisions with:**

Comply with the requirements of the Soil and Groundwater Management Plan (see section 2-1.06B).

9. **Replace the third page of the Bid Form (Exhibit A) (page 132) with the revised bid form page attached to this Addendum (additive bid item number updated, from 94 to 96).**

10. **Replace the following sheets of the project plans with the attached revised sheets (general description of revisions in parenthesis):**

- a. **Sheet No. G-010** (revision to typical section for STA "M" 77+00 to STA "M" 129+40)
- b. **Sheet No. C-501** (revision to Concrete Flush Curb Detail - Type A)
- c. **Sheet No. S-501** (revision to Note 2)

Approved:



Josh Wolf
Civil Engineer
GHD Inc.
RCE 70358, Expires 09/30/2024

3/1/23

Date



Hank Seemann
Deputy Director of Public Works - Environmental Services
County of Humboldt

3/1/23

Date

82	800305		Chain Link Fence (Type CL-3.5, Vinyl-Clad)	LF	5092		
83	800361		Chain Link Fence (Type CL-6, Vinyl-Clad)	LF	569		
84	800405		6' Welded Wire Fence	LF	1958		
85	803020		Remove Fence	LF	1755		
86	820230		Remove Sign	EA	5		
87	820590		Relocate Roadside Sign - One Post	EA	7		
88	820840		Roadside Sign - One-Post	EA	6		
89	820845		Trail Sign - One-Post	EA	18		
90	820855		Interpretive Sign - Two-Post	EA	3		
91	833092	F	Metal Pedestrian Railing	LF	755		
92	840504		4" Thermoplastic Traffic Stripe	LF	29076		
93	840505		6" Thermoplastic Traffic Stripe	LF	284		
94	840515		Thermoplastic Pavement Marking	SQFT	976		
95	999990		Mobilization	LS	1		

BASE BID TOTAL

ADDITIVE BID SCHEDULE

ITEM NO.	ITEM CODE		ITEM DESCRIPTION	UNIT	QTY	UNIT PRICE	TOTAL
96	794008		Replace Treated Timber Crosstie (8" x 8" x 8')	EA	353		

ADDITIVE BID TOTAL

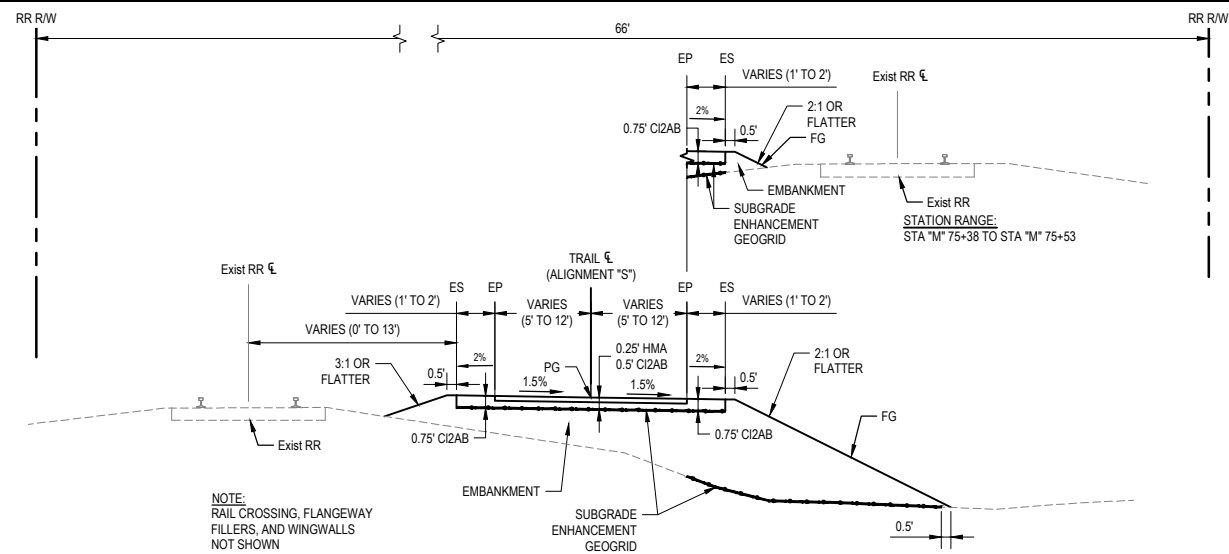
NOTE: ITEM CODE LETTER DESIGNATION; F=FINAL PAY QUANTITY

ACKNOWLEDGEMENT OF ADDENDA

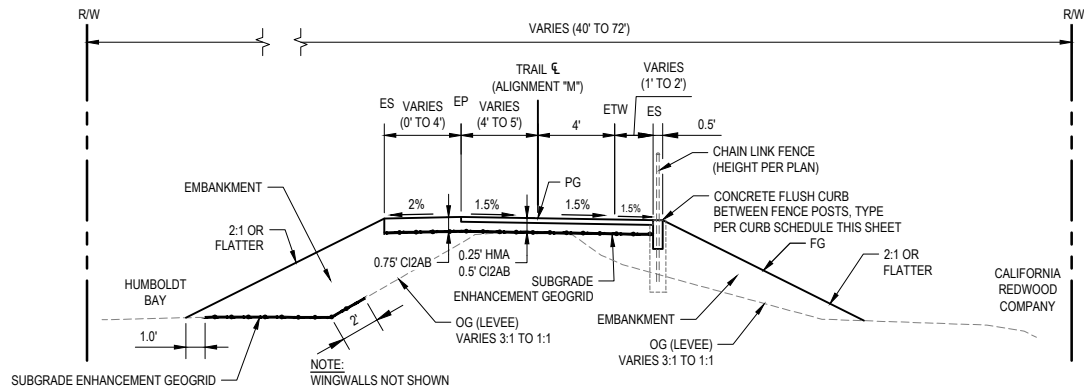
<u>ADDENDUM NO.</u>	<u>INITIAL</u>
_____	_____
_____	_____
_____	_____

(Bidder's Signature)

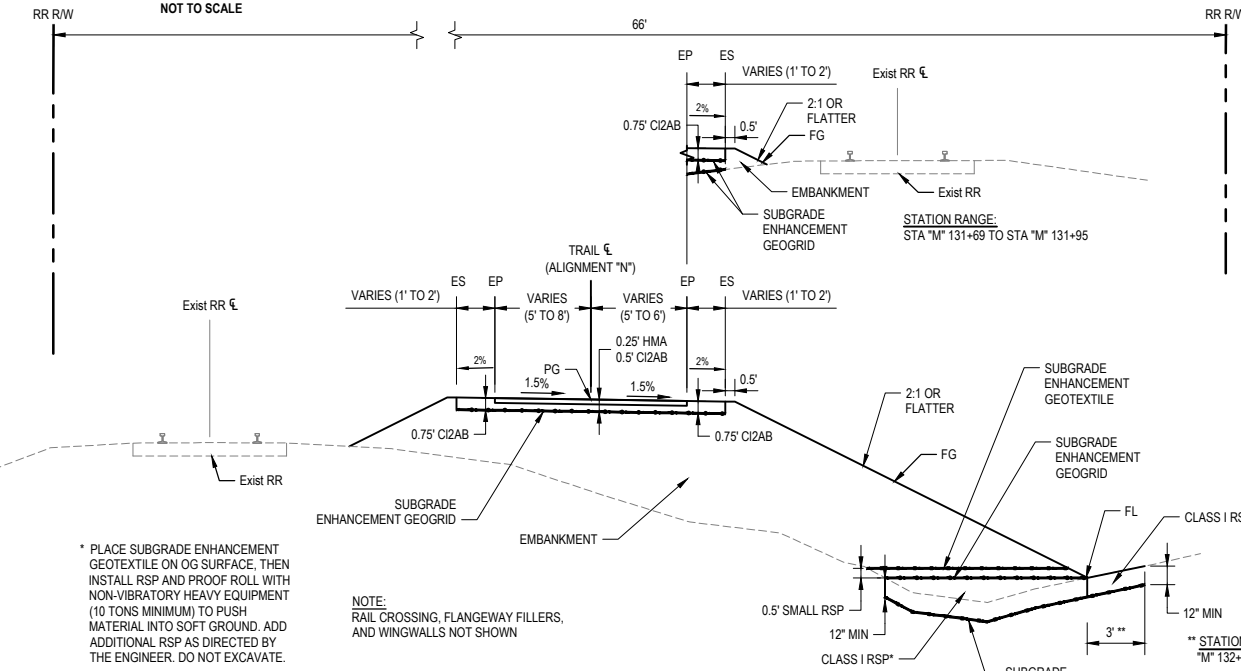
(Title)



TYPICAL SECTION: STA "M" 74+94 TO STA "M" 75+53
NOT TO SCALE

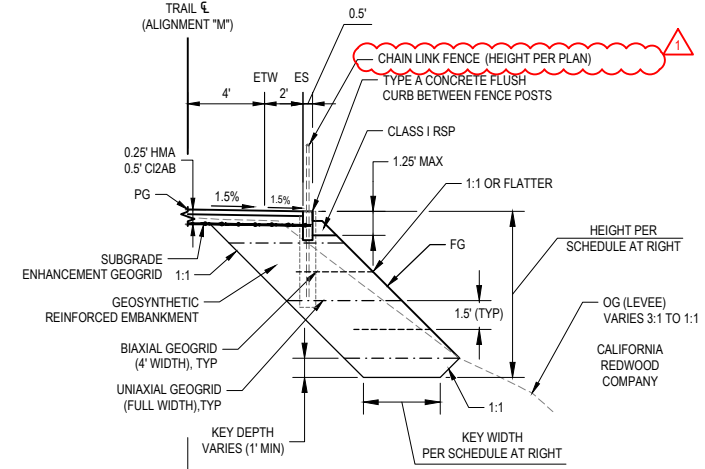


TYPICAL SECTION: STA "M" 76+01 TO STA "M" 77+00; STA "M" 129+40 TO STA "M" 129+99
NOT TO SCALE

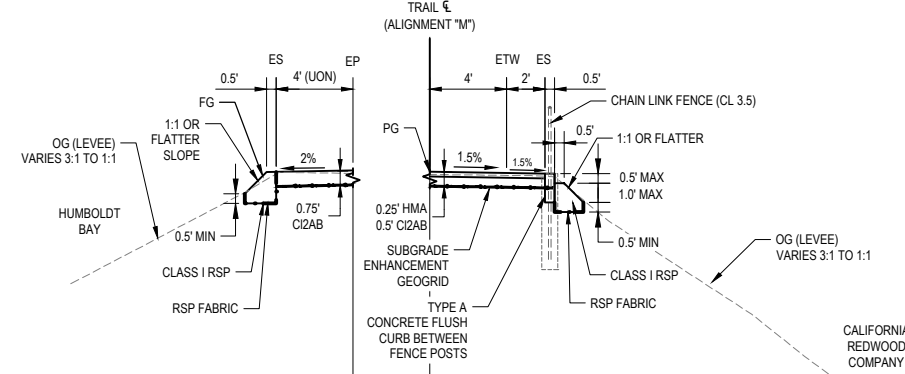


TYPICAL SECTION: STA "M" 131+69 TO STA "M" 132+28
NOT TO SCALE

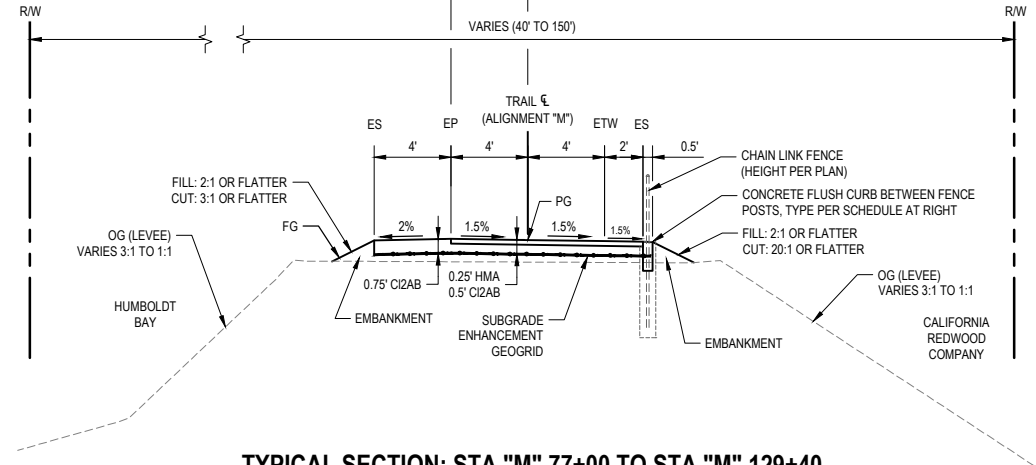
STATION RANGE	HEIGHT (FT)	KEY WIDTH (FT)
76+40 - 78+40	8	5.0
79+95 - 81+00	8	5.0
81+00 - 81+40	10	6.0
81+40 - 82+35	8	5.0
84+40 - 85+10	3	2.0
88+60 - 89+30	7.5	4.0
91+70 - 94+60	5	2.0
105+19 - 105+58	4.5	2.0
110+85 - 111+95	4	2.0
115+95 - 116+35	6	3.0
118+70 - 119+60	6	3.0
119+60 - 121+70	5	2.0
121+70 - 124+88	6	3.0
126+38 - 127+25	6.5	3.0



STATION RANGE
80+50 - 80+75
84+40 - 84+65
93+30 - 94+35
102+10 - 102+30
102+85 - 103+35
111+95 - 112+45
123+60 - 124+10



STATION RANGE
78+40 - 79+95
82+35 - 84+40
85+10 - 85+35
86+20 - 87+05
94+60 - 94+95
100+90 - 101+50
103+15 - 104+00
105+58 - 105+85
117+35 - 118+70
125+70 - 126+38



TYPICAL SECTION: STA "M" 77+00 TO STA "M" 129+40
NOT TO SCALE

CURB SCHEDULE	
STATION RANGE	CURB TYPE
76+12 - 76+27	B
76+27 - 85+45	A
85+45 - 86+10	B
86+10 - 89+50	A
89+50 - 91+50	B
91+50 - 95+10	A
95+10 - 100+30	B
100+30 - 101+85	A
101+85 - 103+00	B
103+00 - 105+95	A
105+95 - 110+85	B
110+85 - 114+25	A
114+25 - 115+90	B
115+90 - 116+35	A
116+35 - 117+25	B
117+25 - 124+95	A
124+95 - 125+70	B
125+70 - 127+30	A
127+30 - 129+90	B

No.	Issue	Drawn	Approved	Date
1	Bid Addendum No. 2	OG	JW	3/1/23



Bar is one inch on original size sheet
0 1"

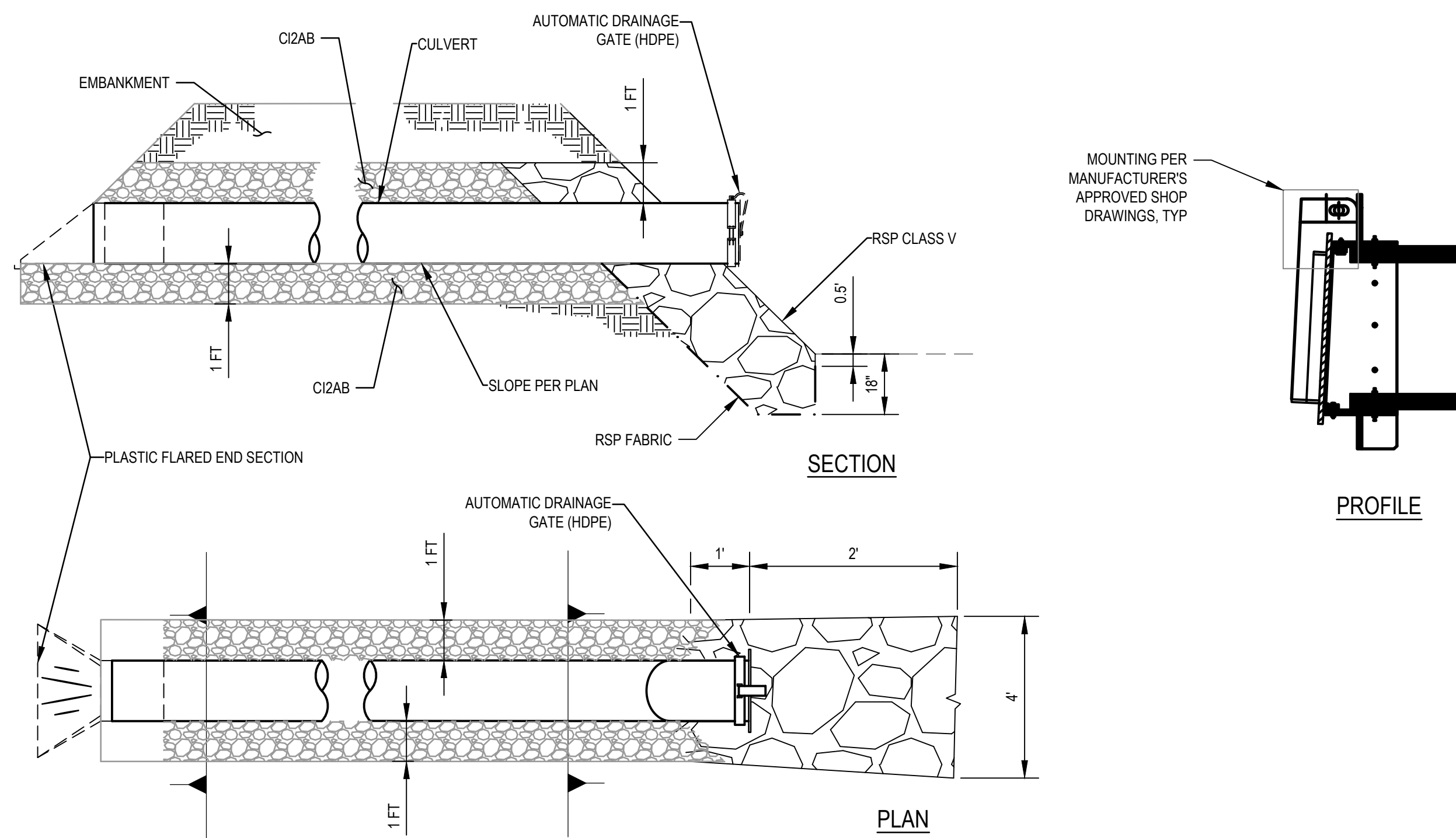
Reuse of Documents
This document and the ideas and designs incorporated herein, as an instrument of professional service, is the property of GHD and shall not be reused in whole or in part for any other project without GHD's written authorization.
© 2023 GHD



GHD Inc.
718 Third Street
Eureka California 95501 USA
T 1 707 443 8326 F 1 707 444 8330 W www.ghd.com

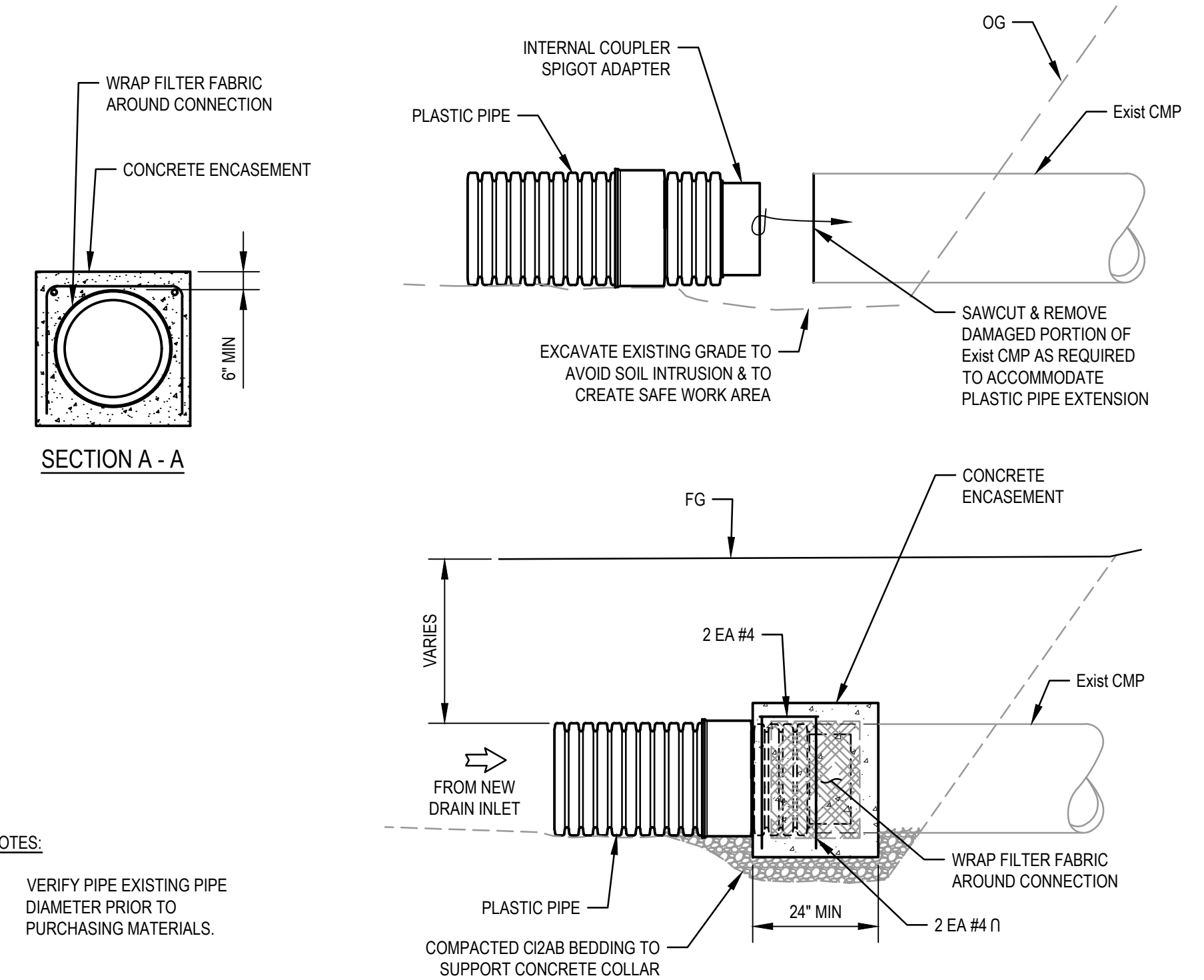
Drawn	O. GOODE	Designer	C. PENNY
Drafting Check	C. PENNY	Design Check	J. WOLF
Project Manager	J. WOLF	Date	12/23/2022
This document shall not be used for construction unless signed and sealed for construction.		Scale	AS SHOWN

Client	COUNTY OF HUMBOLDT DEPARTMENT OF PUBLIC WORKS		
Project	HUMBOLDT BAY TRAIL SOUTH		
Title	TYPICAL SECTIONS 4 OF 8		
GHD Project No.	11110166 & 11218356		
ANSI D	Sheet No.	G-010	
Sheet		10 of 108	



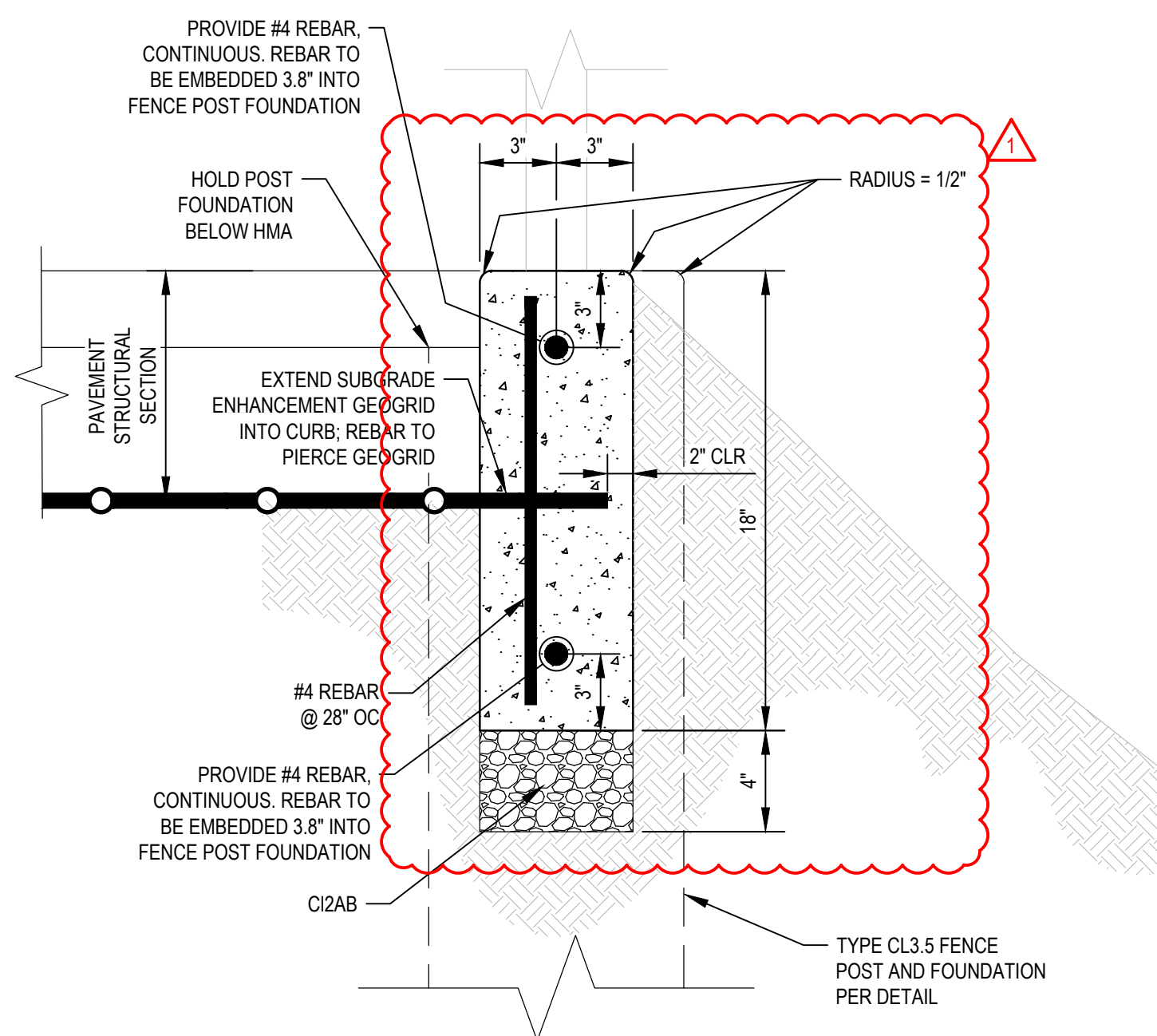
CULVERT REPLACEMENT DETAIL

NOT TO SCALE



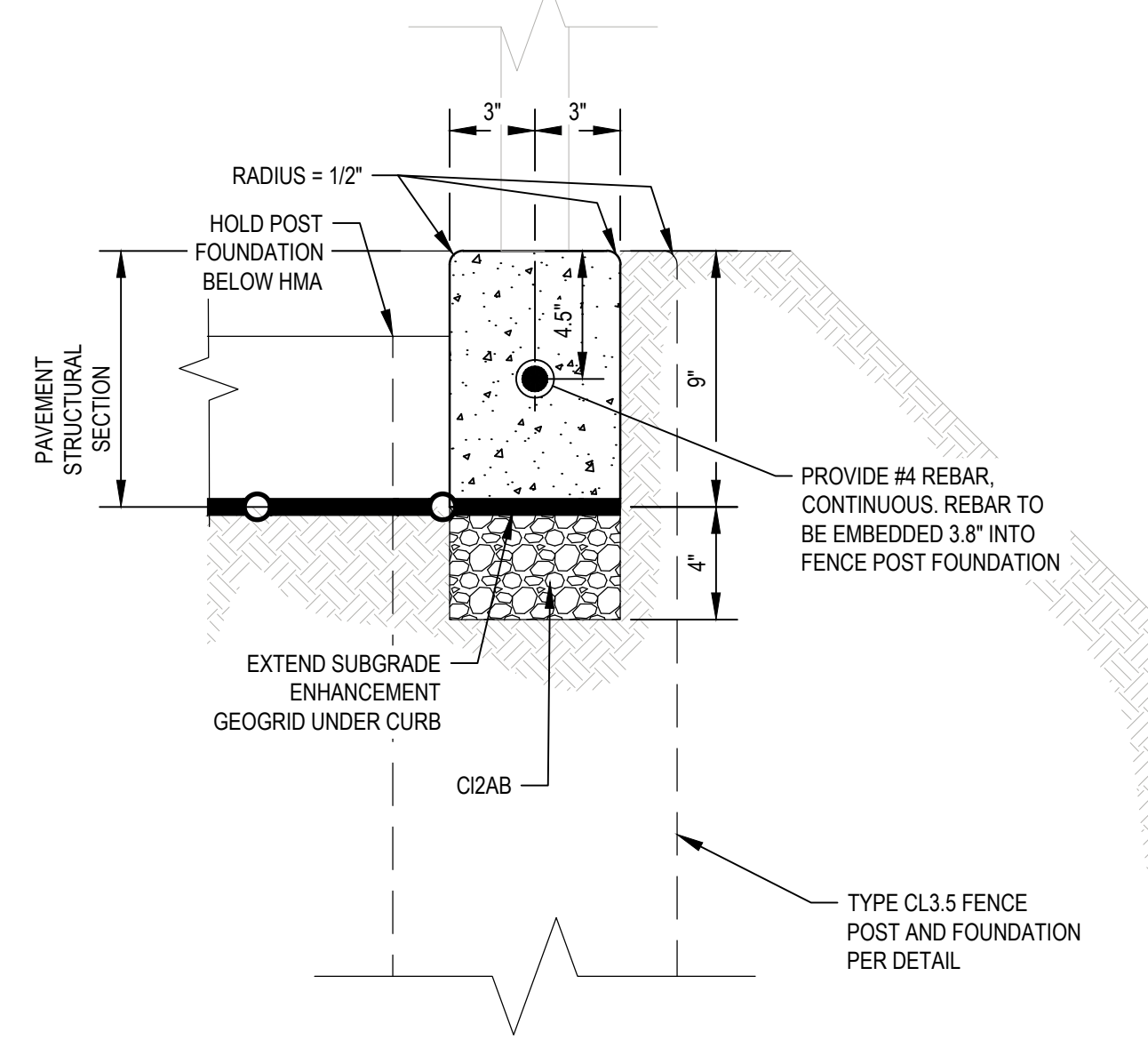
CONCRETE COLLAR DETAIL

NOT TO SCALE



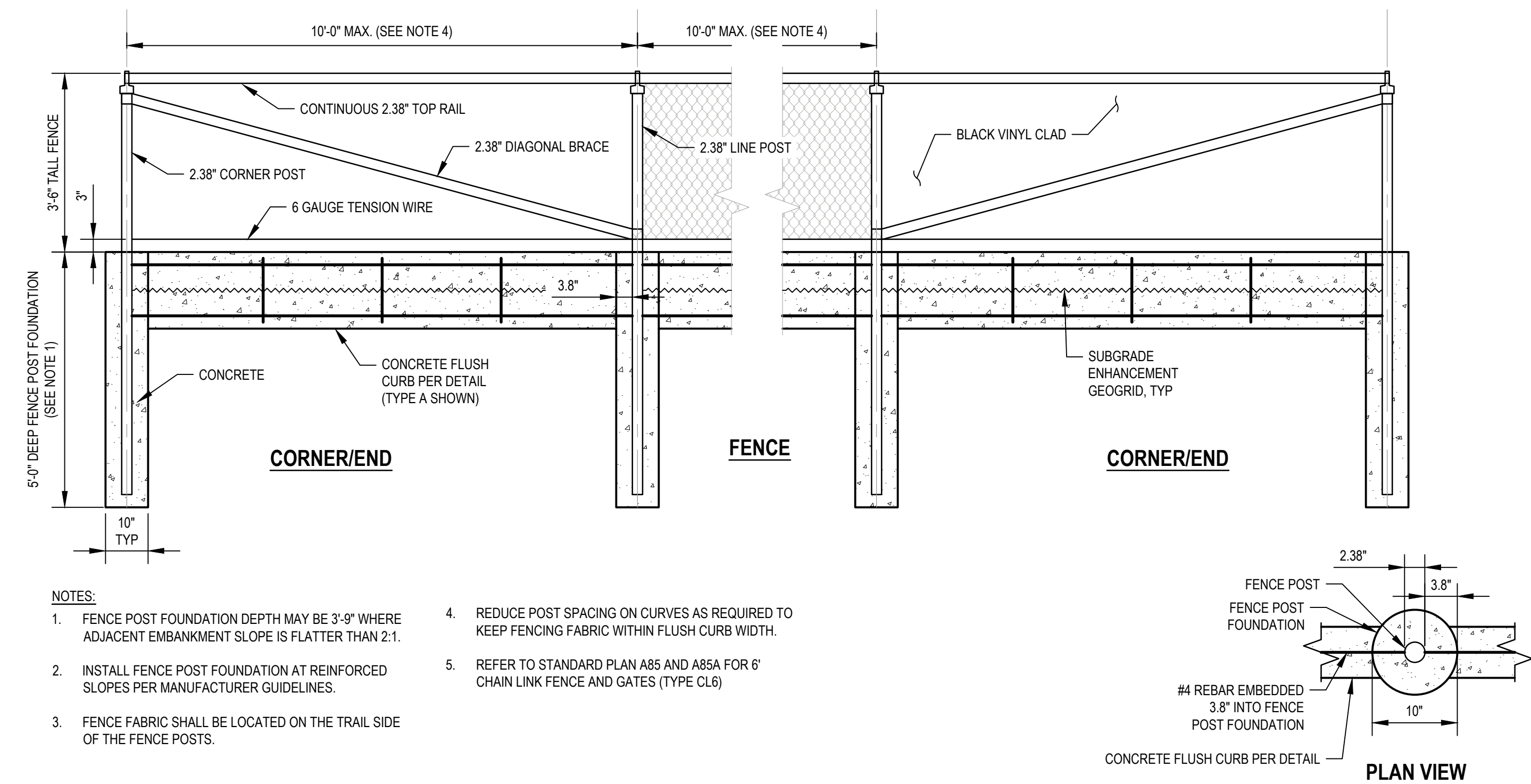
CONCRETE FLUSH CURB DETAIL - TYPE A

NOT TO SCALE



CONCRETE FLUSH CURB DETAIL - TYPE B

NOT TO SCALE



3.5 FOOT TALL CHAIN LINK FENCE DETAIL (TYPE CL 3.5)

NOT TO SCALE

1	Bid Addendum No. 2	OG	JW	3/1/23
No.	Issue	Drawn	Approved	Date



Bar is one inch on original size sheet
0 1"

Reuse of Documents
This document and the ideas and designs incorporated herein, as an instrument of professional service, is the property of GHD and shall not be reused in whole or in part for any other project without GHD's written authorization.
© 2023 GHD



GHD Inc.
718 Third Street
Eureka California 95501 USA
T 1 707 443 8326 F 1 707 444 8330 W www.ghd.com

Drawn	O. GOODE	Designer	C. PENNY
Drafting Check	C. PENNY	Design Check	J. WOLF
Project Manager	J.WOLF	Date	12/23/2022
This document shall not be used for construction unless signed and sealed for construction.		Scale	AS SHOWN

Client	COUNTY OF HUMBOLDT DEPARTMENT OF PUBLIC WORKS		
Project	HUMBOLDT BAY TRAIL SOUTH		
Title	CONSTRUCTION DETAILS 1 OF 5		
GHD Project No.	11110166 & 11218356		
Original Size	ANSI D	Sheet No.	C-501
		Scale	AS SHOWN
		Sheet	69 of 108

GENERAL NOTES - NCRA RR BRIDGE:

SPECIFICATIONS: ALL MATERIALS AND WORKMANSHIP SHALL CONFORM TO THE 2021 AREMA MANUAL FOR RAILWAY ENGINEERING.

LIVE LOADING: WALKWAYS - 90PSF OR H 5 VEHICLE

STRUCTURAL STEEL: STEEL PLATES A572 GRADE 50. ANGLES, CHANNELS A36 MIN. ALL STRUCTURAL STEEL SHALL BE GALVANIZED AFTER FABRICATION.

TIMBER: ALL SOLID SAWN TIMBER SHALL BE DOUGLAS FIR-LARCH SELECT STRUCTURAL, MACHINE INCISE. TIES AND TIMBERS SHALL BE FULL SAWN (FS). LAMINATED DECKING SHALL BE SURFACE FOUR SIDES (S4S). GLUED LAMINATED (GL) RAILING SHALL BE DOUG-FIR 16F-E6. MACHINE INCISE. ALL DIMENSIONED CUTS AND HOLES IN GL RAILING SHALL BE MADE PRIOR TO PRESSURE TREATMENT.

TIMBER TREATMENT: PRESSURE TREAT ALL TIMBER WITH COPPER NAPHTHENATE TO THE MINIMUM NET RETENTION AS FOLLOWS:
 DECKING & GUARDS 0.060 PCF
 TIES 0.075 PCF
 RAILING AND POSTS 0.040 PCF
 TREAT ALL FIELD CUTS AND BORES WITH COPPER NAPHTHENATE.

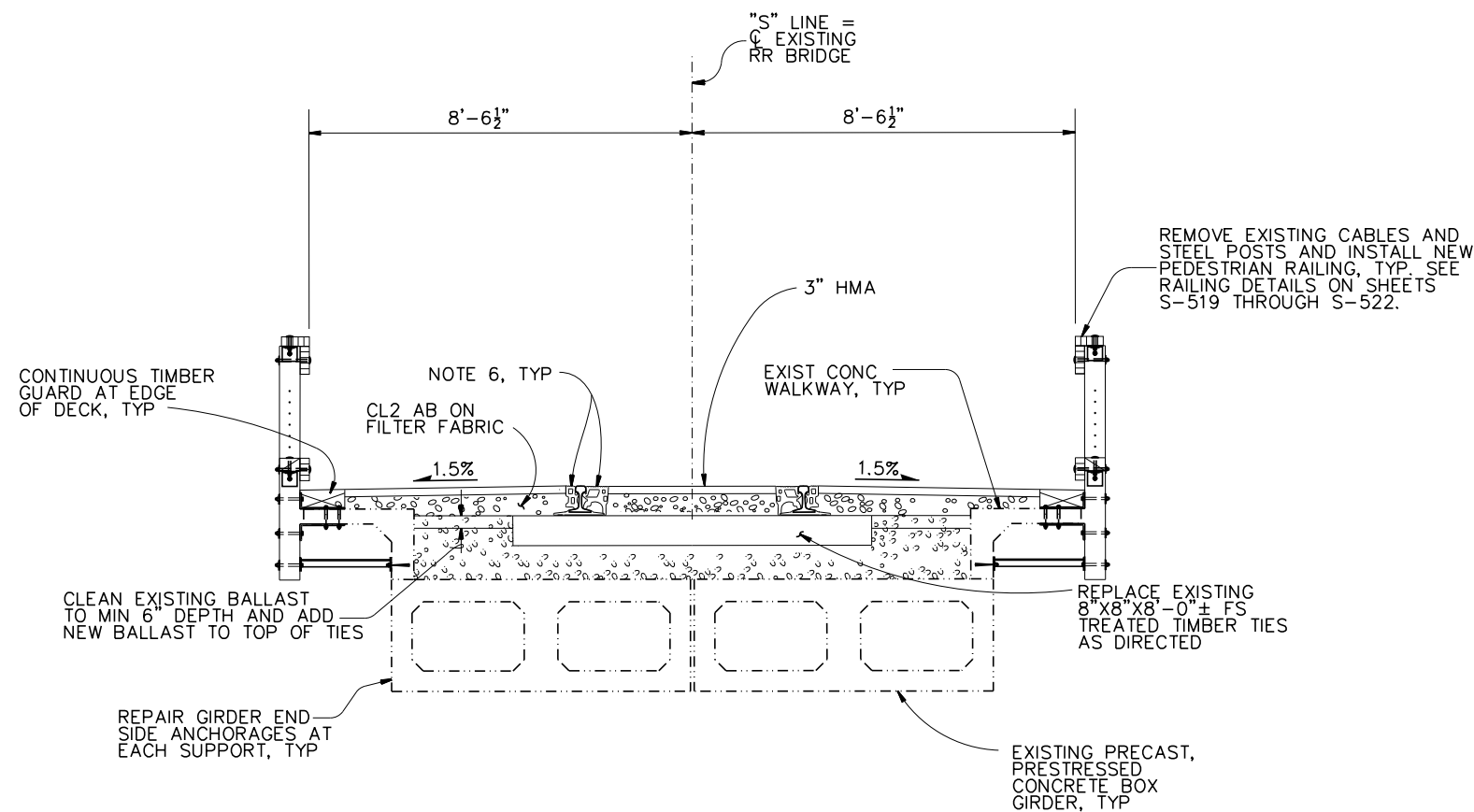
HARDWARE: ALL HARDWARE SHALL BE MIN A307 GALVANIZED BOLTS. ALL STD BOLTS IN TIMBER SHALL HAVE ROUND PLATE WASHERS UNDER THE HEAD AND NUT. TIMBER BOLTS SHALL BE DOME HEADED WITH PLATE WASHERS UNDER NUT.

LEGEND: INDICATES EXISTING STRUCTURE. INDICATES NEW CONSTRUCTION.

DIMENSIONAL VERIFICATION: THE CONTRACTOR SHALL VERIFY ALL CONTROLLING FIELD DIMENSIONS BEFORE ORDERING OR FABRICATING ANY MATERIAL.

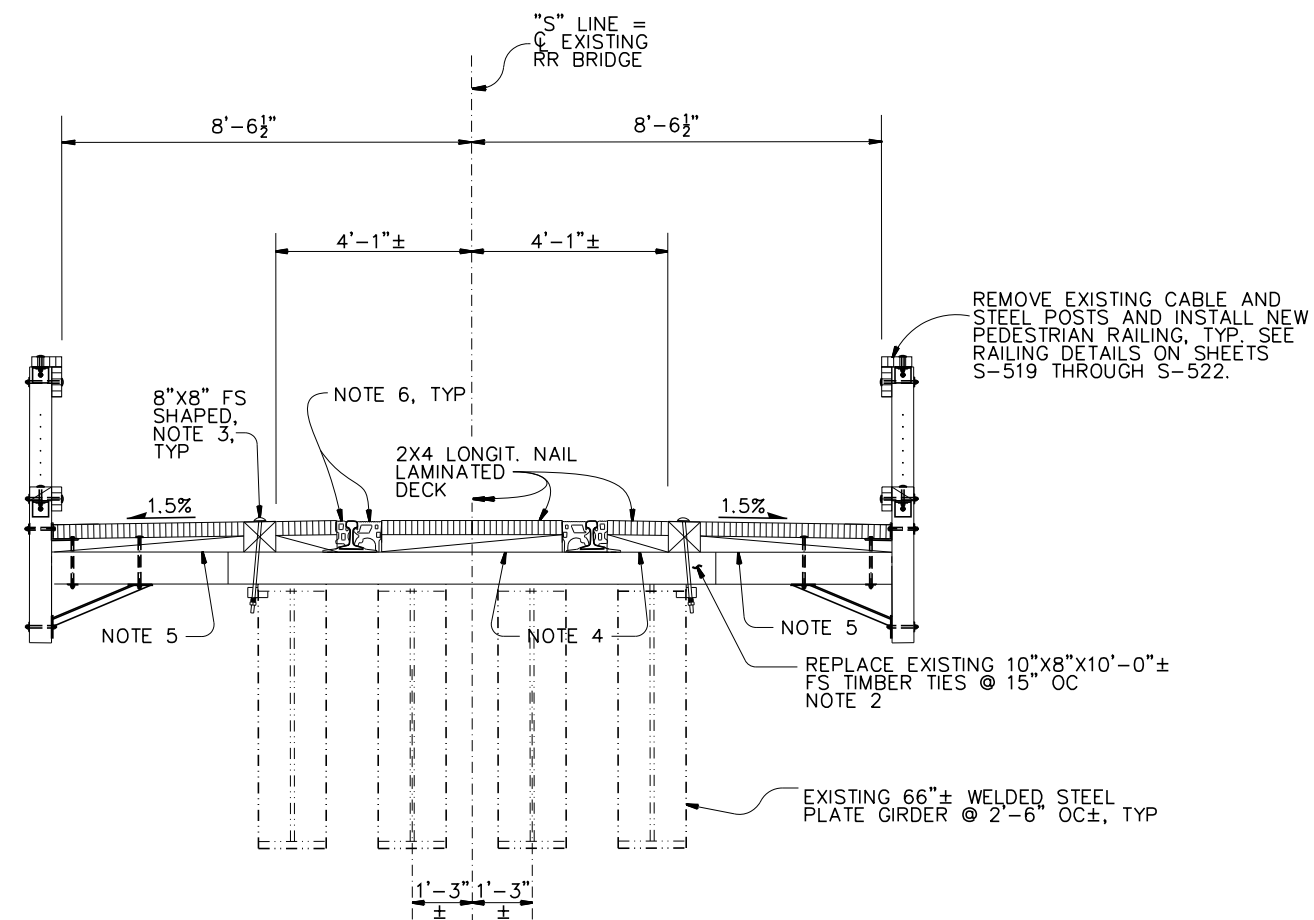
- DELETE "RAIL"**
- NOTES:**
1. PROFILE GRADE = TOP OF EXISTING RAILS.
 2. REPLACE TIE PLATES AND SPIKES WITH NEW TIE PLATES AND SPIKES, MATCH SAME PATTERN AS EXISTING.
 3. REPLACE EXISTING GUARDS, SPIKES, AND DECK CLIPS. MATCH SAME PATTERN AS EXISTING.
 4. 5 1/2" MIN WIDE TIMBER SUPPORT BLOCK, CUT TO HT, CENTERED, AND ATTACHED TO NEW TIE WITH 5/8" DIA X 10" LAG SCREWS AT 11" O.C., MIN 2 PER BLOCK.
 5. 8" MIN WIDE TIMBER SUPPORT BLOCK, CUT TO HT, CENTERED AND ATTACHED TO NEW OUTRIGGER TIE WITH 4 - 5/8" DIA X 10" LAG SCREWS AT 11" O.C.
 6. INSTALL FLANGE WAY FILLER STRIPS EACH SIDE OF EACH STEEL RAIL. SEE TRAIL PLANS FOR DETAILS.

ABBREVIATIONS:
 FS FULL SAWN
 GL GLUED LAMINATED



SPANS 1 THRU 5 AND 7 THRU 22
P/C, P/S CONCRETE BOX GIRDER- TYPICAL SECTION

1/2" = 1'-0"



SPAN 6 STEEL PLATE GIRDER - TYPICAL SECTION

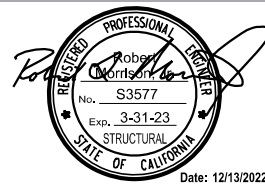
1/2" = 1'-0"

No.	Issue	Drawn	Approved	Date
1	Bid Addendum No. 2	JG	RLM	3/1/23



Bar is one inch on original size sheet
 0 1"

Reuse of Documents
 This document and the ideas and designs incorporated herein, as an instrument of professional service, is the property of GHD and shall not be reused in whole or in part for any other project without GHD's written authorization.
 © 2020 GHD



MORRISON STRUCTURES, INC
 1890 PARK MARINA DR.
 REDDING, CALIFORNIA 96001
 TELEPHONE (530) 246-8628 FAX (530) 246-8625

Drawn	J.GALLINO	Designer	D. ROESNER
Drafting Check	R.MORRISON, JR	Design Check	R.MORRISON, JR
Project Manager	J.WOLF	Date	12/13/2022
This document shall not be used for construction unless signed and sealed for construction.		Scale	AS SHOWN

Client	COUNTY OF HUMBOLDT DEPARTMENT OF PUBLIC WORKS
Project	HUMBOLDT BAY TRAIL SOUTH
Title	EUREKA SLOUGH BRIDGE - TYPICAL SECTIONS
GHD Project No.	11110166 & 11218356
Original Size	ANSI D
Sheet No.	S-501



**County of Humboldt
Department of Public Works
1106 Second Street
Eureka, CA 95501
TEL (707) 445-7377**

ADDENDUM NO. 3
(Issued March 9, 2023)

**HUMBOLDT BAY TRAIL SOUTH
PROJECT NO.: RPSTPL-5904(143), RPL-5904(180), & ATPL-5904(182)
CONTRACT NO.: 715036**

The Special Provisions and Plans are hereby modified in accordance with the following:

1. Add the following to the Special Provisions:

Replace Section 13-5.04 with the following:

Payment for temporary soil stabilization is included in the payment for Jobsite Management.

2. Replace the last paragraph of Section 15-1.04 with the following:

The removal and disposal of crossties, outrigger ties and other miscellaneous track materials will not be paid separately but will be included in the payment of other items. Salvaging rails will not be paid separately but will be included in the payment of other items.

3. Replace the first sentence of Section 79-4.02B with the following:

Track crosstie dimensions are shown on the plans and must conform to the current AREMA Specifications, Chapter 30, "Ties."

4. Replace the entire Bid Form (Exhibit A) (pages 130, 131 and 132) with the revised bid form pages attached to this Addendum (updated unit cost and total cost for Bid Item No. 5 and 7, updated item description for Bid Item No. 81, and updated footnote regarding Partial Payment).

I M P O R T A N T

This Addendum is being sent EMAIL/FAX. To indicate receipt of this Addendum please sign and send back to the Department of Public Works.

EMAIL: PWEngineering@co.humboldt.ca.us
or FAX: (707) 445-7409

Received by: _____

Date 3/9/2023

Company: _____

McCullough Construction Inc

Pages
Received 12

Total Pages Sent 12

5. *Replace the following sheets of the project plans with the attached revised sheets (general description of revisions in parenthesis):*

- a. **Sheet No. G-003** (*updated item description for Bid Item No. 81*)
- b. **Sheet No. G-007** (*typical sections updated*)
- c. **Sheet No. G-008** (*typical sections updated*)
- d. **Sheet No. G-010** (*typical sections updated*)

Contractor Questions

The information below is provided in response to written bidder inquiries. The following items shall become part of the contract documents for this project and all other conditions shall remain the same:

Question 1: Please provide summary of quantities for each bridge location.

Answer: *This information can be made available to the awarded contractor upon request. This information will not be available during bidding.*

Question 2: Please provide existing grade and finish grade cad surfaces.

Answer: *In accordance to section 5-1.24 of the Special Provisions, two-dimensional CAD files will be made available to the awarded contractor upon request. Supplemental grading information may be made available at the Department's discretion.*

Question 3: For Bid Item 80 – 8"x8" crossties, please specify the spacing and purposed locations of replacement. (The total between item 80 & 96 adds up to the total if replacing the whole bridge assuming 15" spacing).

Answer: *In accordance to Section 79-4.03C, crossties should be placed at 21.0 inches on center, unless noted otherwise on the plans. The locations of crosstie replacement will be identified in the field by the County.*

Question 4: Please provide a detail on the expansion plates described under Section 75-3.01A in the special provisions.

Answer: *Details are shown on sheet S-517 Sections A, B, and D.*

Question 5: Please confirm that the environmental and water pollution control related requirements and payment provisions under Special Provision Sections 13 & 14 include all of the environmental and water pollution control related requirements per the Project's Permits, Licenses, Agreements or Certifications (PLACs).

Answer: *Sections 13 and 14 of the Special Provisions do not provide an exhaustive description of the requirements contained within the PLACs. Payment provisions are specified in Section 9-1.03 of the Standard Specifications.*

Question 6: On addendum #2, temporary fencing is paid for under jobsite management. Please clarify the locations and lineal footage that temporary fencing is required.

Answer: *Temporary fencing is required to be installed around staging areas utilized by the Contractor on the California Redwood Company mill site, and the Bracut Industrial Site. Refer to the requirements included in the temporary construction easements that were made available as part of Addendum No. 2 (dated March 2, 2023).*

Question 7: Are the used rail road ties considered HAZ MAT?

Answer: *Railroad ties are considered treated wood waste and should be handled, stored, transported, and disposed of in accordance to the Standard Specifications and Special Provisions.*

Question 8: The Notice to Proceed from the GRTA states that salvage value for rail and ties goes to the GRTA. The salvage value of the ties is a BIG negative number, due to their presumed HAZ MAT STATUS. The Salvage value of the rails is a fairly large positive number due to the weight of the high quality steel. Can we off set one with the other or do we get stuck with the Haz Mat and the GRTA gets the rail salvage value?

Answer: *The Special Provisions supersede the requirements in the GRTA Notice to Proceed related to the salvaging and disposal of railroad rails and crossties. In accordance to Section 15-1.03D(1) of the Special Provisions, rails are to be salvaged to the Department (and ultimately released to the GRTA). The stockpile location for salvaged material is identified in Section 15-1.03C of the Special Provisions. Timber crossties are to be removed and disposed of in accordance to Section 15-1.03D(1) of the Special Provisions.*

Question 9: The Base Bid calls for replacement of 125ea 8'X8'x8' Crossties (bid item 80) and 74ea 8"x10"x10' Crossties (bid item 81). Spec Section 79 calls for crossties to be 7"x9"x8' 1/2". For the Eureka Railroad Bridge section 6, I see 52ea 10' long ties and 22ea 17'1" ties, total of 74 ties. Please clarify size/length/quantities of ties required for Bid items 80 and 81.

Answer: *Section 79 of the Special Provisions has been revised as part of this Addendum. Crosstie dimensions are shown on the plans. The quantities for Bid Items No. 80 and 81 are shown on the revised Bid Form that is included as part of this Addendum. Bid Item No. 81 includes the replacement of all crossties and outrigger ties on the Eureka Slough Bridge lift span (span 6). The item description for Bid Item No. 81 has been updated as part of this Addendum.*

Question 10: The 125ea replacement ties in Bid Item 80 represents 100LF of track. Please confirm that this will be a continuous section of track, or continuous on either side of Span 6 of the bridge.

Answer: *Bid Item No. 80 - Replace Treated Timber Crosstie (8" x 8" x 8'), includes the spot replacement of crossties at various locations within the following station ranges: Sta "S" 0+94 to "S" 3+36, Sta "S" 4+28 to "S"9+92, and Sta "M" 75+09 to "M" 75+39. The actual crossties to be replaced will be identified in the field by the Department. The bid item does not include the replacement of all ties within the referenced station ranges.*

Question 11: Additive Bid Item 96 represents about 282LF of track. Please confirm that this is continuous track, or continuous on either side of Span 6.

Answer: *Bid Item No. 96 - Replace Treated Timber Crosstie (8" x 8" x 8'), includes the replacement of all crossties within the following station range that are not included in Bid Item No. 80: Sta "S" 0+94 to "S" 3+36, Sta "S" 4+28 to "S" 9+92, and Sta "M" 75+09 to "M" 75+39.*

Question 12: We have been asked to quote the elastomeric bearings on this project, as shown on plan sheets S-502 and S-504. Please confirm the following:

1. These 1" pads are plain, non-reinforced and are to follow AREMA specifications.
2. The 12' pier bearing pads on S-504 can be supplied in segments similar to those shown on S-502.

Answer:

1. *The 1" pads are plain, non-reinforced, in accordance to the Standard Specifications.*
2. *Yes, The 12' pier bearing pads on S-504 can be supplied in segments similar to those shown on S-502.*

Question 13: The Coastal Development Permit limits the time for "Isolation of the in-water work area and construction within stream channels and the bay" to occur between July 1st and September 31st. Can you provide an elevation or some sort delineation as to what area is considered to be in the Bay?

Answer: *Work below mean higher high water (6.5 feet NAVD88) is subject to the July 1-September 30 seasonal work window limitation.*

Question 14: Section 13-3.03 requires temporary soil stabilization measures be applied within 10 days of completion or non-activity. With no Bid Item for temporary erosion control or mulch, in which Item is the temporary EC BMPs to be included?

Answer: *Payment for temporary soil stabilization is included in the payment for Jobsite Management. Section 15-1.04 has been revised as part of this Addendum.*

Question 15: Section 12-3.20C states requirements for a temporary barrier systems if used. There is not a bid item for temporary barrier. Are temporary barriers a requirement of the project?

Answer: *The Supplemental Project Information includes a Traffic Handling Plan as an attachment to the Caltrans Encroachment Permit for the project. The Traffic Handling Plan does not require temporary barrier systems. If temporary barriers are used, they must comply with Section 12-3.20C of the Special Provisions.*

Question 16: Is there a maximum length for a lane or shoulder closure on Hwy 101?

Answer: *The length of a lane or shoulder closures on Highway 101 will be subject to the approval of Caltrans.*

Question 17: Is the (125 each) quantity for Item 80-Replace Treated Timber Crosstie (8"x8"x8') intended to include all the existing ties to be replaced in trail sections "S" 0+94 to "S" 1+81, "S" 9+04 to "S" 9+92, as well as on the Eureka Slough Bridge Sta. 1+81 to 9+04? (Quantity appears low).

Answer: Bid Item No. 80 - Replace Treated Timber Crosstie (8" x 8" x 8'), includes the spot replacement of crossties at various locations within the following station ranges: Sta "S" 0+94 to "S" 3+36, Sta "S" 4+28 to "S" 9+92, and Sta "M" 75+09 to "M" 75+39. The actual crossties to be replaced will be identified in the field by the Department. The bid item does not include the replacement of all ties within the referenced station ranges. Bid Item No. 96 - Replace Treated Timber Crosstie (8" x 8" x 8'), includes the replacement of all crossties within the referenced station range that are not included in Bid Item No. 80.

Approved:

3/9/23

Date

Josh Wolf
Civil Engineer
GHD Inc.
RCE 70358, Expires 09/30/2024

3/9/23

Date

Hank Seemann
Deputy Director of Public Works - Environmental Services
County of Humboldt

BID FORM (EXHIBIT A)
HUMBOLDT BAY TRAIL SOUTH PROJECT
PROJECT NO.: RPSTPL-5904(143), RPL-5904(180), & ATPL-
5904(182)
CONTRACT NO.: 715036

BASE BID SCHEDULE

ITEM NO.	ITEM CODE		ITEM DESCRIPTION	UNIT	QTY	UNIT PRICE	TOTAL
1	050000		Construction Surveys	LS	1		
2	120100		Traffic Control System	LS	1		
3	130100		Job Site Management	LS	1		
4	130300		Prepare Storm Water Pollution Prevention Plan	LS	1		
5	130310		Rain Event Action Plan	EA	20	\$500	\$10,000
6	130320		Storm Water Sampling and Analysis Day	EA	10		
7	130330		Storm Water Annual Report	EA	2	\$2,000	\$4,000
8	130610		Temporary Check Dam	LF	510		
9	130640		Temporary Fiber Roll	LF	21532		
10	130680		Temporary Silt Fence	LF	3817		
11	130900		Temporary Concrete Washout	LS	1		
12	141001		Health and Safety Plan	LS	1		
13	153125		Remove Concrete (Driveway)	LS	1		
14	155000		Remove Railroad Track	LF	6589		
15	157000		Salvage Steel Grating	LS	1		
16	170103		Clearing and Grubbing (LS)	LS	1		
17	190101		Roadway Excavation	CY	4298		
18	190102		Roadway Excavation (Unfit Material)	CY	815		
19	192003	F	Structure Excavation (Bridge)	CY	153		
20	193003	F	Structure Backfill (Bridge)	CY	98		
21	194002	F	Ditch Excavation (Tidal Channel)	CY	274		
22	198050	F	Embankment	CY	34177		
23	198205		Subgrade Enhancement Geotextile	SQYD	13579		
24	198215		Subgrade Enhancement Geogrid	SQYD	36532		
25	198251		Geosynthetic Reinforcement (Uniaxial Geogrid)	SQYD	1332		
26	198252		Geosynthetic Reinforcement (Biaxial Geogrid)	SQYD	964		
27	210271		Rolled Erosion Control Product (Netting, Type B)	SQFT	136546		
28	210272		Rolled Erosion Control Product (Netting, Type C)	SQFT	11591		
29	210350		Fiber Rolls	LF	19767		
30	210430		Hydroseed	SQFT	306623		
31	260203		Class 2 Aggregate Base (CY)	CY	6518		
32	260400		Clean Ballast Rock	LS	1		
33	260450		Ballast Rock	TON	331		
34	390095		Replace Asphalt Concrete Surfacing	CY	43		
35	390132		Hot Mix Asphalt (Type A)	TON	4799		
36	490740	P	Furnish Piling (Class 90) (Alternative V)	LF	2540		
37	490741		Drive Piling (Class 90) (Alternative V)	EA	42		

38	495115	P	Furnish 24" Cast-In-Steel Shell Concrete Piling	LF	494		
39	495116		Drive 24" Cast-In-Steel Shell Concrete Piling	EA	6		
40	510051	F	Structural Concrete, Bridge Footing	CY	33		
41	510053	F	Structural Concrete, Bridge	CY	119		
42	511112		Drill and Bond Dowel (Chemical Adhesive)	EA	414		
43	512355	P	Furnish Precast Prestressed Slab (15 in)	SQFT	576		
44	512356	P	Furnish Precast Prestressed Slab (21 in)	SQFT	2004		
45	512357	P	Furnish Precast Prestressed Slab (30 in)	SQFT	960		
46	512515		Erect Precast Prestressed Concrete Slab	EA	15		
47	520110		Bar Reinforcing Steel (Epoxy Coated) (Bridge)	LB	34707		
48	540100	F	Deck Seal	SQFT	2980		
49	570121	F	Treated Lumber and Timber (Bridge) (Trail Surface)	MFBM	17		
50	570122		Treated Lumber (Wooden Retaining Border)	LF	147		
51	575045		Treated Timber Pedestrian Railing	LF	1476		
52	590122		Clean and Paint Steel Piling Shell	LS	1		
53	590124		Clean and Paint Galvanized Pedestrian Railing	LS	1		
54	600013		Repair Spalled Surface Area	SQFT	2		
55	600014		Repair Girder End Side Anchorage	EA	84		
56	600131		Remove Bridge Cable Railing and Posts	LS	1		
57	600132		Clean and Cover Expansion Joint	EA	21		
58	641107		18" Plastic Pipe	LF	176		
59	705311		18" Alternative Flared End Section	EA	6		
60	705518		18" Automatic Drainage Gate (HDPE)	EA	3		
61	710131		Remove Culvert (18") (EA)	EA	4		
62	710133		Remove Culvert (60") (EA)	EA	2		
63	720110	F	Small-Rock Slope Protection	CY	1103		
64	723055		Rock Slope Protection (1/4 T, Class V, Method B) (TON)	TON	3403		
65	723075		Rock Slope Protection (150 lb, Class III, Method B) (TON)	TON	1825		
66	723100		Rock Slope Protection (20 lb, Class I, Method B) (TON)	TON	10642		
67	730015		Minor Concrete (Flush Curb, Type A) (LF)	LF	3383		
68	730016		Minor Concrete (Flush Curb, Type B) (LF)	LF	1995		
69	730070		Detectable Warning Surface	SQFT	260		
70	731517		Minor Concrete (Driveway)	SQFT	102		
71	731525		Minor Concrete (Trail)	SQFT	301		
72	750501	F	Miscellaneous Metal (Bridge)	LB	5900		
73	750503		Removable Metal Bollard	EA	2		
74	770095		Lighting System (Solar)	LS	1		
75	780210		Survey Monument (Type A)	EA	5		
76	782125		Relocate Ladder	LS	1		
77	791000		Bench	EA	4		
78	792000		Trail Counter System	EA	2		
79	793000		Flangeway Filler System	LF	1856		
80	794008		Replace Treated Timber Crosstie (8" x 8" x 8')	EA	125		
81	794010		Replace Treated Timber Crosstie (8" x 10')	EA	74		

82	800305		Chain Link Fence (Type CL-3.5, Vinyl-Clad)	LF	5092		
83	800361		Chain Link Fence (Type CL-6, Vinyl-Clad)	LF	569		
84	800405		6' Welded Wire Fence	LF	1958		
85	803020		Remove Fence	LF	1755		
86	820230		Remove Sign	EA	5		
87	820590		Relocate Roadside Sign - One Post	EA	7		
88	820840		Roadside Sign - One-Post	EA	6		
89	820845		Trail Sign - One-Post	EA	18		
90	820855		Interpretive Sign - Two-Post	EA	3		
91	833092	F	Metal Pedestrian Railing	LF	755		
92	840504		4" Thermoplastic Traffic Stripe	LF	29076		
93	840505		6" Thermoplastic Traffic Stripe	LF	284		
94	840515		Thermoplastic Pavement Marking	SQFT	976		
95	999990		Mobilization	LS	1		

BASE BID TOTAL

ADDITIVE BID SCHEDULE

ITEM NO.	ITEM CODE		ITEM DESCRIPTION	UNIT	QTY	UNIT PRICE	TOTAL
96	794008		Replace Treated Timber Crosstie (8" x 8" x 8')	EA	353		

ADDITIVE BID TOTAL

NOTE: ITEM CODE LETTER DESIGNATION; P=PARTIAL PAY ITEM, F=FINAL PAY QUANTITY

ACKNOWLEDGEMENT OF ADDENDA

<u>ADDENDUM NO.</u>	<u>INITIAL</u>
_____	_____
_____	_____
_____	_____

(Bidder's Signature)

(Title)

SUMMARY OF QUANTITIES

Base Bid				
ITEM NO.	ITEM CODE	ITEM DESCRIPTION	UNIT	QUANTITY
1	050000	Construction Surveys	LS	1
2	120100	Traffic Control System	LS	1
3	130100	Job Site Management	LS	1
4	130300	Prepare Storm Water Pollution Prevention Plan	LS	1
5	130310	Rain Event Action Plan	EA	20
6	130320	Storm Water Sampling and Analysis Day	EA	10
7	130330	Storm Water Annual Report	EA	2
8	130610	Temporary Check Dam	LF	510
9	130640	Temporary Fiber Roll	LF	21532
10	130680	Temporary Silt Fence	LF	3817
11	130900	Temporary Concrete Washout	LS	1
12	141001	Health and Safety Plan	LS	1
13	153125	Remove Concrete (Driveway)	LS	1
14	155000	Remove Railroad Track	LF	6589
15	157000	Salvage Steel Grating	LS	1
16	170103	Clearing and Grubbing (LS)	LS	1
17	190101	Roadway Excavation	CY	4298
18	190102	Roadway Excavation (Unfit Material)	CY	815
19	192003	F Structure Excavation (Bridge)	CY	153
20	193003	F Structure Backfill (Bridge)	CY	98
21	194002	F Ditch Excavation (Tidal Channel)	CY	274
22	198050	F Embankment	CY	34177
23	198205	Subgrade Enhancement Geotextile	SQYD	13579
24	198215	Subgrade Enhancement Geogrid	SQYD	36532
25	198251	Geosynthetic Reinforcement (Uniaxial Geogrid)	SQYD	1332
26	198252	Geosynthetic Reinforcement (Biaxial Geogrid)	SQYD	964
27	210271	Rolled Erosion Control Product (Netting, Type B)	SQFT	136546
28	210272	Rolled Erosion Control Product (Netting, Type C)	SQFT	11591
29	210350	Fiber Rolls	LF	19767
30	210430	Hydroseed	SQFT	306623
31	260203	Class 2 Aggregate Base (CY)	CY	6518
32	260400	Clean Ballast Rock	LS	1
33	260450	Ballast Rock	TON	331
34	390095	Replace Asphalt Concrete Surfacing	CY	43
35	390132	Hot Mix Asphalt (Type A)	TON	4799
36	490740	P Furnish Piling (Class 90) (Alternative V)	LF	2540
37	490741	Drive Piling (Class 90) (Alternative V)	EA	42
38	495115	P Furnish 24" Cast-In-Steel Shell Concrete Piling	LF	494
39	495116	Drive 24" Cast-In-Steel Shell Concrete Piling	EA	6
40	510051	F Structural Concrete, Bridge Footing	CY	33
41	510053	F Structural Concrete, Bridge	CY	119
42	511112	Drill and Bond Dowel (Chemical Adhesive)	EA	414
43	512355	P Furnish Precast Prestressed Slab (15 in)	SQFT	576
44	512356	P Furnish Precast Prestressed Slab (21 in)	SQFT	2004
45	512357	P Furnish Precast Prestressed Slab (30 in)	SQFT	960
46	512515	Erect Precast Prestressed Concrete Slab	EA	15
47	520110	Bar Reinforcing Steel (Epoxy Coated) (Bridge)	LB	34707
48	540100	F Deck Seal	SQFT	2980

Base Bid, Continued				
ITEM NO.	ITEM CODE	ITEM DESCRIPTION	UNIT	QUANTITY
49	570121	F Treated Lumber and Timber (Bridge) (Trail Surface)	MFBM	17
50	570122	Treated Lumber (Wooden Retaining Border)	LF	147
51	575045	Treated Timber Pedestrian Railing	LF	1476
52	590122	Clean and Paint Steel Piling Shell	LS	1
53	590124	Clean and Paint Galvanized Pedestrian Railing	LS	1
54	600013	Repair Spalled Surface Area	SQFT	2
55	600014	Repair Girder End Side Anchorage	EA	84
56	600131	Remove Bridge Cable Railing and Posts	LS	1
57	600132	Clean and Cover Expansion Joint	EA	21
58	641107	18" Plastic Pipe	LF	176
59	705311	18" Alternative Flared End Section	EA	6
60	705518	18" Automatic Drainage Gate (HDPE)	EA	3
61	710131	Remove Culvert (18") (EA)	EA	4
62	710133	Remove Culvert (60") (EA)	EA	2
63	720110	F Small-Rock Slope Protection	CY	1103
64	723055	Rock Slope Protection (1/4 T, Class V, Method B) (TON)	TON	3403
65	723075	Rock Slope Protection (150 lb, Class III, Method B) (TON)	TON	1825
66	723100	Rock Slope Protection (20 lb, Class I, Method B) (TON)	TON	10642
67	730015	Minor Concrete (Flush Curb, Type A) (LF)	LF	3383
68	730016	Minor Concrete (Flush Curb, Type B) (LF)	LF	1995
69	730070	Detectable Warning Surface	SQFT	260
70	731517	Minor Concrete (Driveway)	SQFT	102
71	731525	Minor Concrete (Trail)	SQFT	301
72	750501	F Miscellaneous Metal (Bridge)	LB	5900
73	750503	Removable Metal Bollard	EA	2
74	770095	Lighting System (Solar)	LS	1
75	780210	Survey Monument (Type A)	EA	5
76	782125	Relocate Ladder	LS	1
77	791000	Bench	EA	4
78	792000	Trail Counter System	EA	2
79	793000	Flangeway Filler System	LF	1856
80	794008	Replace Treated Timber Crosstie (8" x 8" x 8')	EA	125
81	794010	Replace Treated Timber Crosstie (8" x 10" x 8')	EA	74
82	800305	Chain Link Fence (Type CL-3.5, Vinyl-Clad)	LF	5092
83	800361	Chain Link Fence (Type CL-6, Vinyl-Clad)	LF	569
84	800405	6' Welded Wire Fence	LF	1958
85	803020	Remove Fence	LF	1755
86	820230	Remove Sign	EA	5
87	820590	Relocate Roadside Sign - One Post	EA	7
88	820840	Roadside Sign - One-Post	EA	6
89	820845	Trail Sign - One-Post	EA	18
90	820855	Interpretive Sign - Two-Post	EA	3
91	833092	F Metal Pedestrian Railing	LF	755
92	840504	4" Thermoplastic Traffic Stripe	LF	29076
93	840505	6" Thermoplastic Traffic Stripe	LF	284
94	840515	Thermoplastic Pavement Marking	SQFT	976
95	999990	Mobilization	LS	1

Additive Bid - Replace Treated Timber Crossties				
ITEM NO.	ITEM CODE	ITEM DESCRIPTION	UNIT	QUANTITY
96	794008	Replace Treated Timber Crosstie (8" x 8" x 8')	EA	353

LEGEND

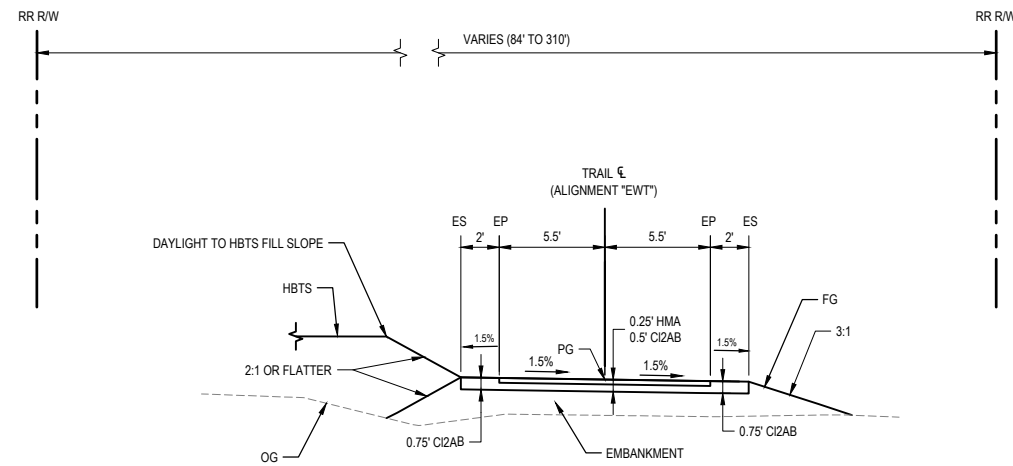
	ENVIRONMENTALLY SENSITIVE AREA
	HMA PAVING
	DETECTABLE WARNING SURFACE
	CONCRETE PAVING
	CURVE TAG
	LINE TAG
	LIMITS OF GRADING
	PROPERTY LINE / RIGHT OF WAY
	FLOWLINE
	LIMITS OF TREE REMOVAL
	CHAIN LINK FENCE / WELDED WIRE FENCE
	CULVERT
	APPROXIMATE LIMITS OF EXIST RSP
	EXIST CULVERT
	EXIST TREE
	EXIST CONCRETE SLAB/VAULT
	EXIST UNDERGROUND TELECOMMUNICATION
	EXIST UNDERGROUND GAS
	EXIST OVERHEAD ELECTRIC
	EXIST UNDERGROUND ELECTRIC (ABANDONED & DEACTIVATED)
	EXIST UNDERGROUND TELECOMMUNICATION (ABANDONED)
	EXIST STORM DRAIN

ABBREVIATIONS

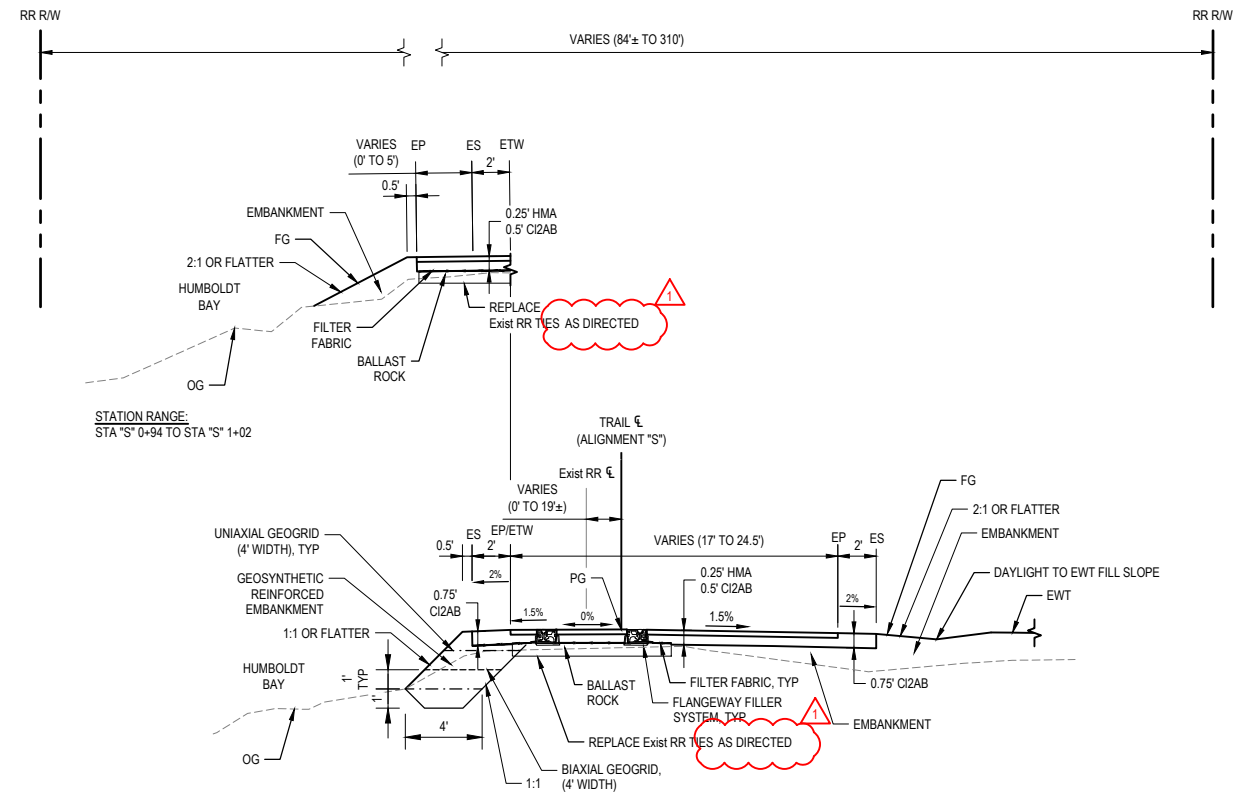
AGG	AGGREGATE
APN	ASSESSORS PARCEL NUMBER
CAMUTCD	CALIFORNIA MANUAL ON UNIFORM TRAFFIC CONTROL DEVICES (CURRENT EDITION)
CBC	CALIFORNIA BUILDING CODE (CURRENT EDITION)
CL / E	CENTERLINE
COUNTY	COUNTY OF HUMBOLDT
CRC	CALIFORNIA REDWOOD COMPANY
CTSP	2022 CALTRANS STANDARD PLAN
DWG	DRAWING
EW	EACH WAY
EWNT	ENHANCED WET NIGHT VISIBILITY
EWT	EUREKA WATERFRONT TRAIL
FL-ME	FLOWLINE-MATCH EXISTING
GB	GRADE BREAK
HCDPW	HUMBOLDT COUNTY DEPARTMENT OF PUBLIC WORKS
HBTN	HUMBOLDT BAY TRAIL NORTH
HBTS	HUMBOLDT BAY TRAIL SOUTH
IE	INVERT ELEVATION
LF	LINEAR FEET
LL	LANE LINE
LT	LEFT
ME	MATCH EXISTING
MIN	MINIMUM
MPH	MILES PER HOUR
NCRA	NORTH COAST RAIL AUTHORITY
NIC	NOT IN CONTRACT
NWPRR	NORTHWEST PACIFIC RAILROAD
PVI	POINT OF VERTICAL INTERSECTION
RC	RELATIVE COMPACTION
RT	RIGHT
TC	TOP OF CURB

- NOTES:**
- THE ABBREVIATIONS LISTED ABOVE SUPPLEMENT THOSE LISTED IN THE CALTRANS STANDARD PLANS A3A-A3C.
 - CONTACT COUNTY'S REPRESENTATIVE FOR ABBREVIATIONS NOT LISTED.

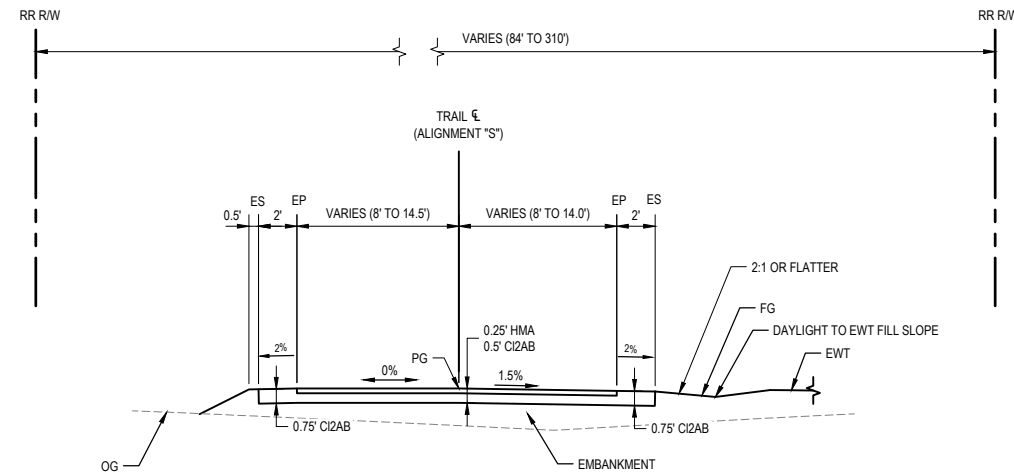
	Bar is one inch on original size sheet 0 1"			Drawn O. GOODE	Designer C. PENNY	Client COUNTY OF HUMBOLDT DEPARTMENT OF PUBLIC WORKS Project HUMBOLDT BAY TRAIL SOUTH Title SUMMARY OF QUANTITIES AND ABBREVIATIONS
				Drafting Check C. PENNY	Design Check J. WOLF	
1 Bid Addendum No. 3	CP JW 3/8/23	Reuse of Documents This document and the ideas and designs incorporated herein, as an instrument of professional service, is the property of GHD and shall not be reused in whole or in part for any other project without GHD's written authorization. © 2023 GHD	GHD Inc. 718 Third Street Eureka California 95501 USA T 1 707 443 8326 F 1 707 444 8330 W www.ghd.com	Project Manager J.WOLF	Date 12/23/2022	GHD Project No. 11110166 & 11218356
No. Issue Drawn Approved Date	Scale AS SHOWN	Original Size ANSI D	Sheet No. G-003	Sheet 3 of 108		



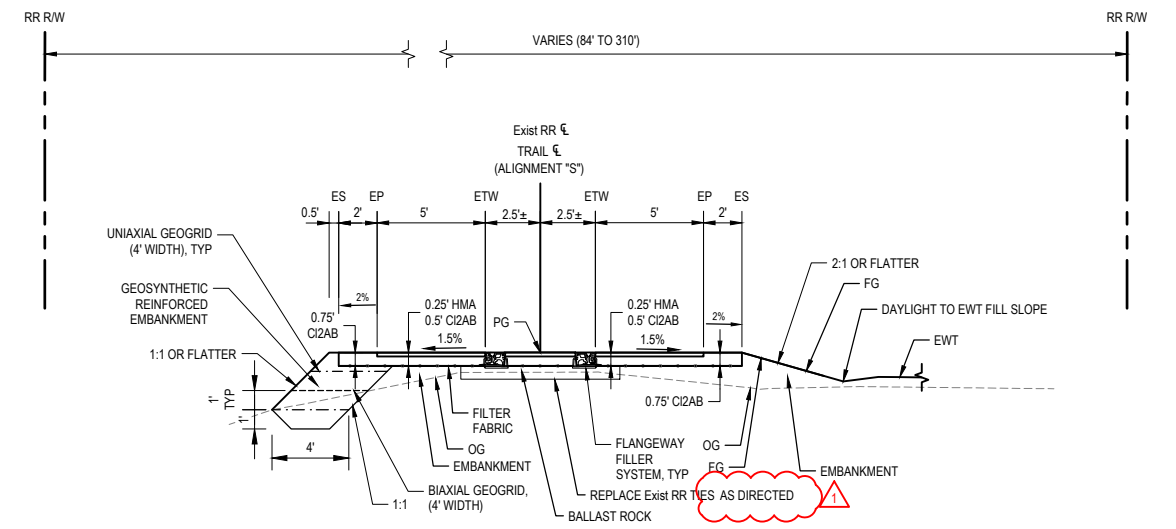
TYPICAL SECTION: STA "EWT" 207+25 TO STA "EWT" 209+22
NOT TO SCALE



TYPICAL SECTION: STA "S" 0+94 TO STA "S" 1+11
NOT TO SCALE



TYPICAL SECTION: STA "S" 0+85 TO STA "S" 0+94
NOT TO SCALE



TYPICAL SECTION: STA "S" 1+11 TO STA "S" 1+81
NOT TO SCALE

No.	Issue	Drawn	Approved	Date
1	Bid Addendum No. 3	CP	JW	3/9/23



Bar is one inch on original size sheet
0 1"

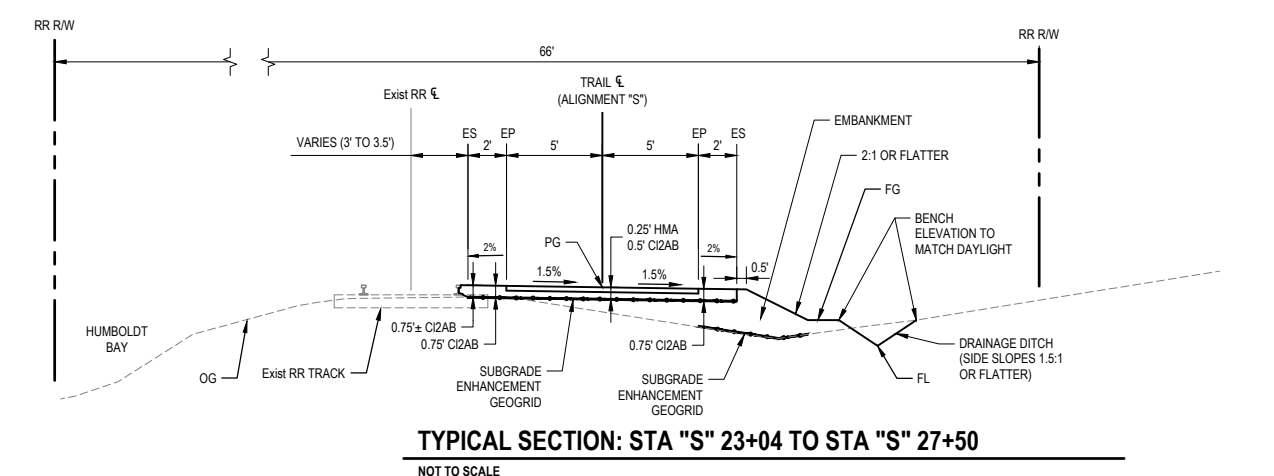
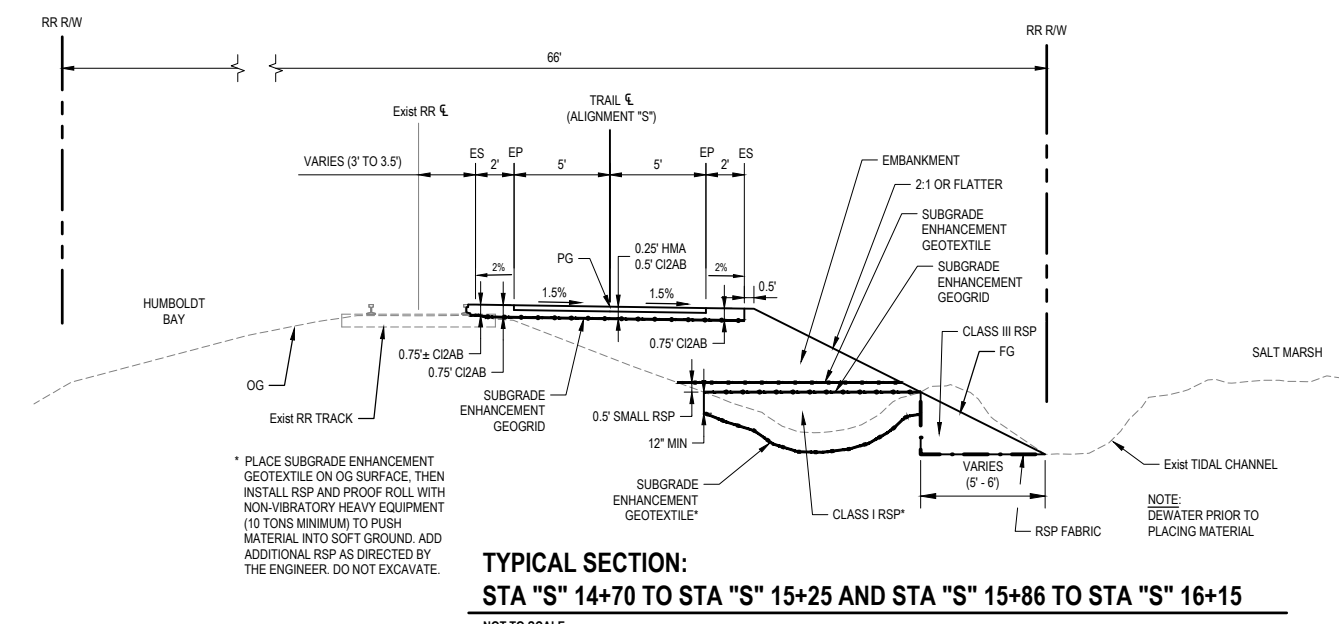
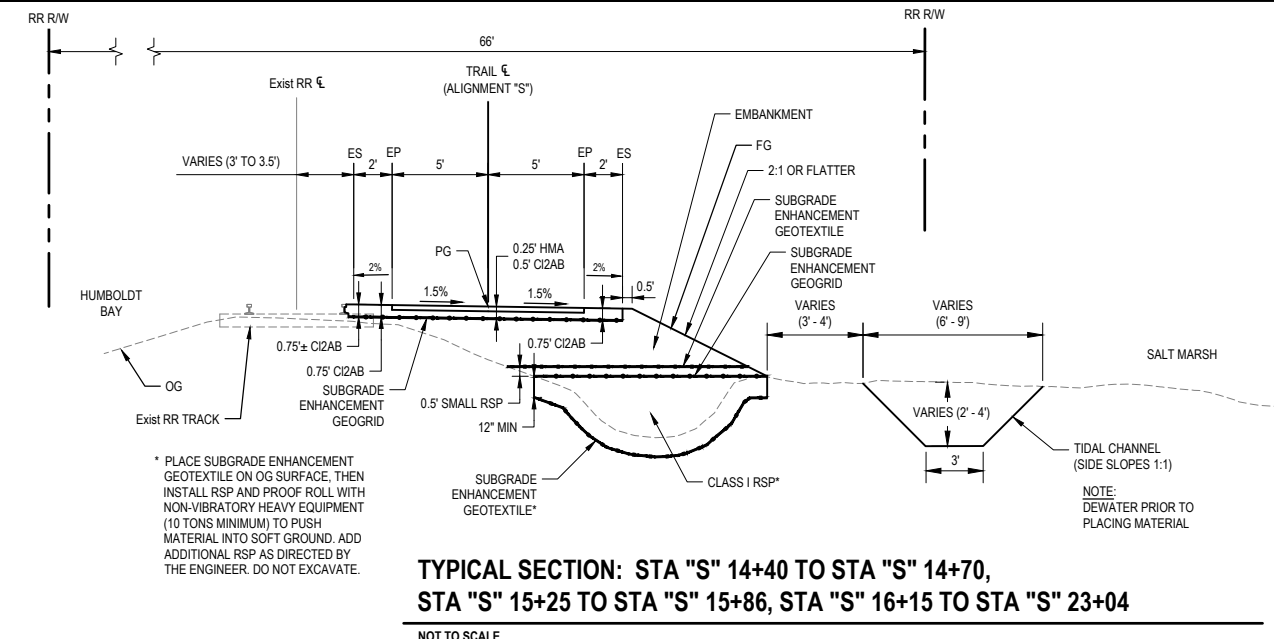
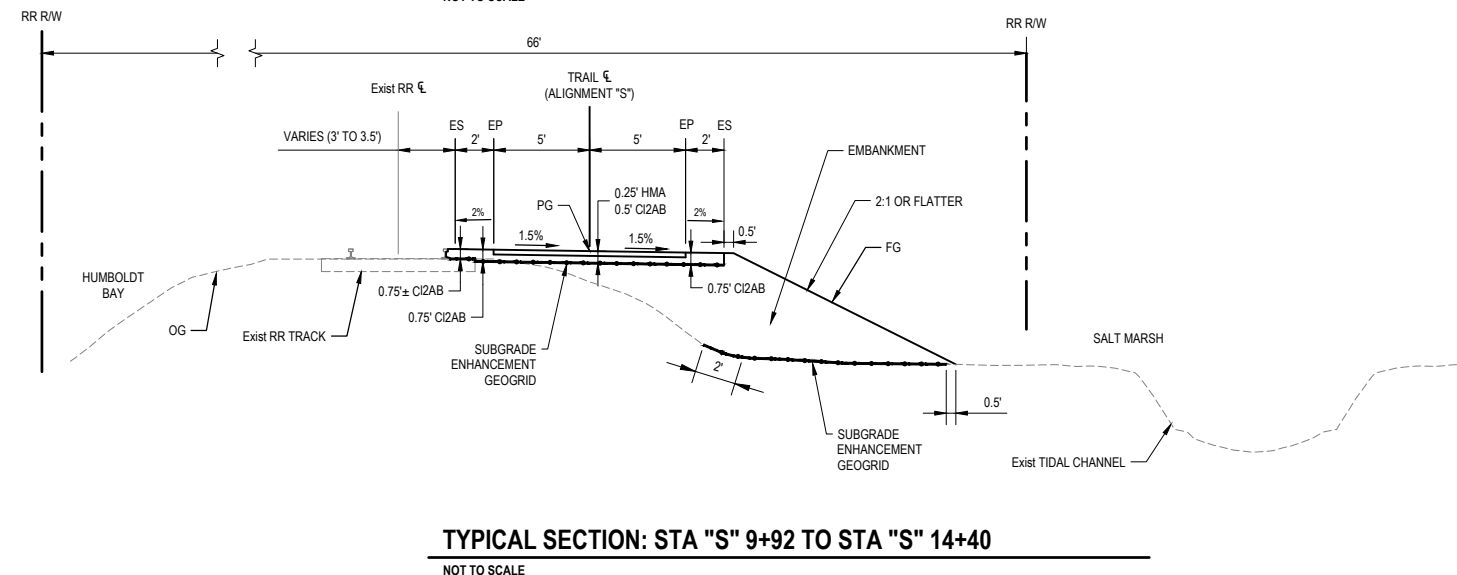
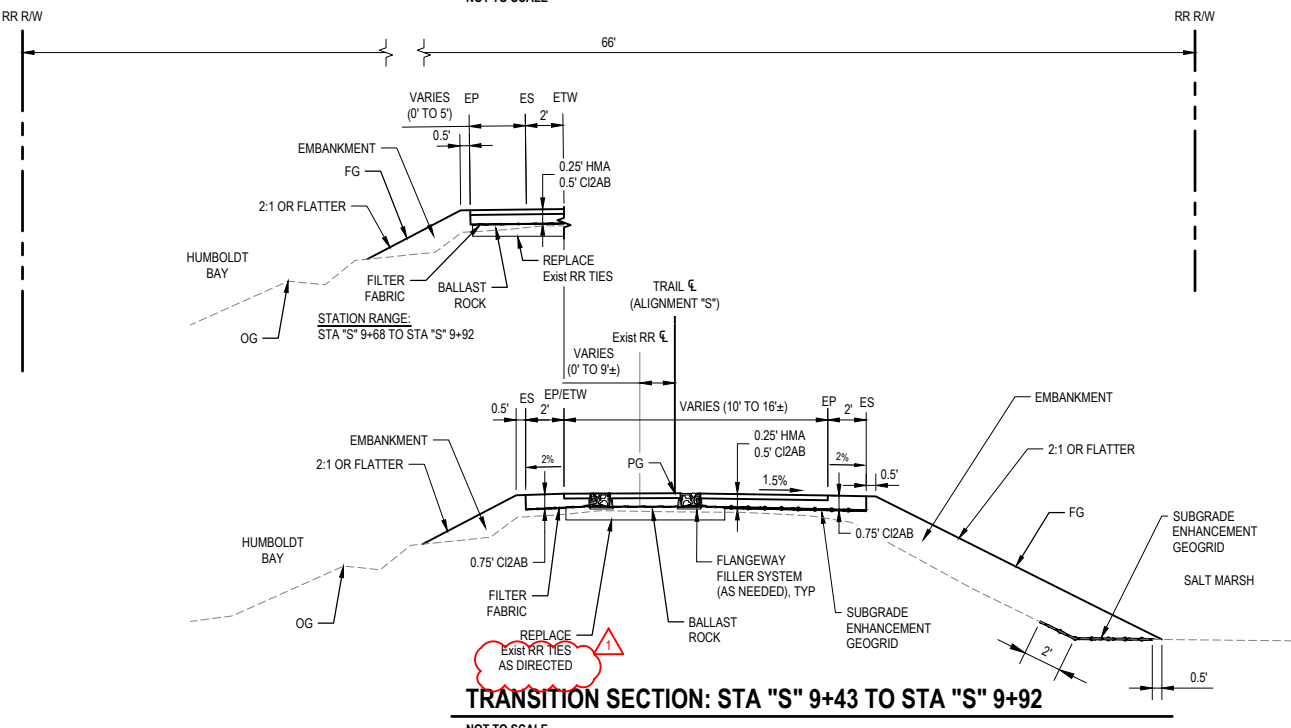
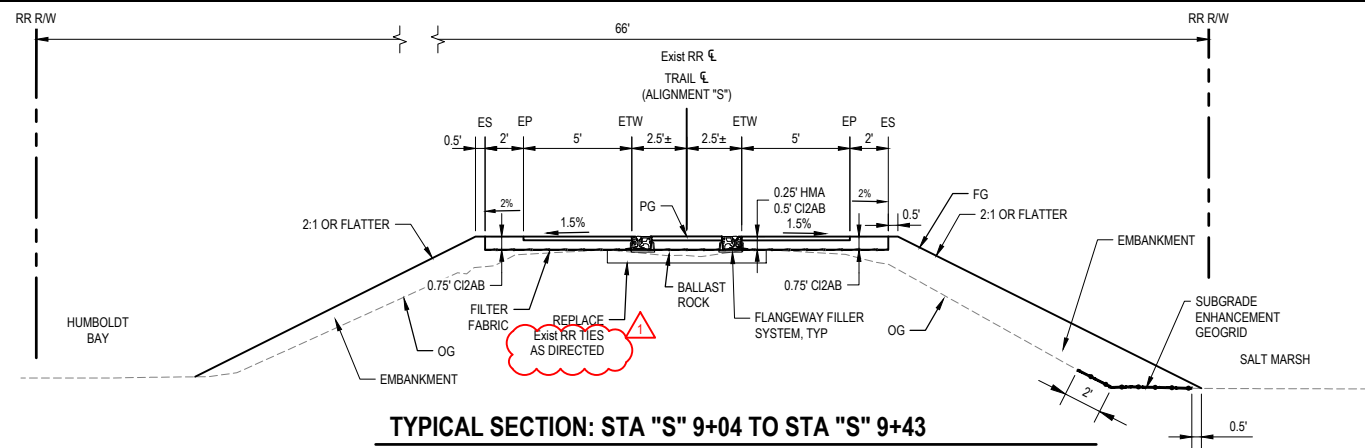
Reuse of Documents
This document and the ideas and designs incorporated herein, as an instrument of professional service, is the property of GHD and shall not be reused in whole or in part for any other project without GHD's written authorization.
© 2023 GHD



GHD
GHD Inc.
718 Third Street
Eureka California 95501 USA
T 1 707 443 8326 F 1 707 444 8330 W www.ghd.com

Drawn	O. GOODE	Designer	C. PENNY
Drafting Check	C. PENNY	Design Check	J. WOLF
Project Manager	J. WOLF	Date	12/23/2022
This document shall not be used for construction unless signed and sealed for construction.		Scale	AS SHOWN

Client	COUNTY OF HUMBOLDT DEPARTMENT OF PUBLIC WORKS		
Project	HUMBOLDT BAY TRAIL SOUTH		
Title	TYPICAL SECTIONS 1 OF 8		
GHD Project No.	11110166 & 11218356		
Original Size	ANSI D		
Sheet No.	G-007		
Sheet	7 of 108		



1	Bid Addendum No. 3	CP	JW	3/9/23
No.	Issue	Drawn	Approved	Date



Bar is one inch on original size sheet
0 1"

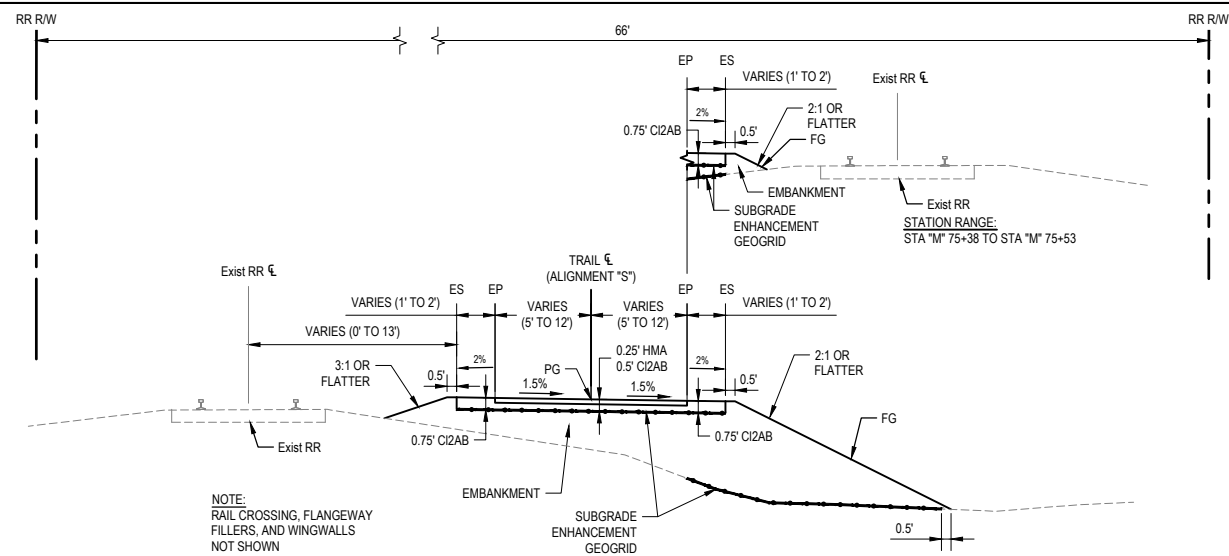
Reuse of Documents
This document and the ideas and designs incorporated herein, as an instrument of professional service, is the property of GHD and shall not be reused in whole or in part for any other project without GHD's written authorization.
© 2023 GHD



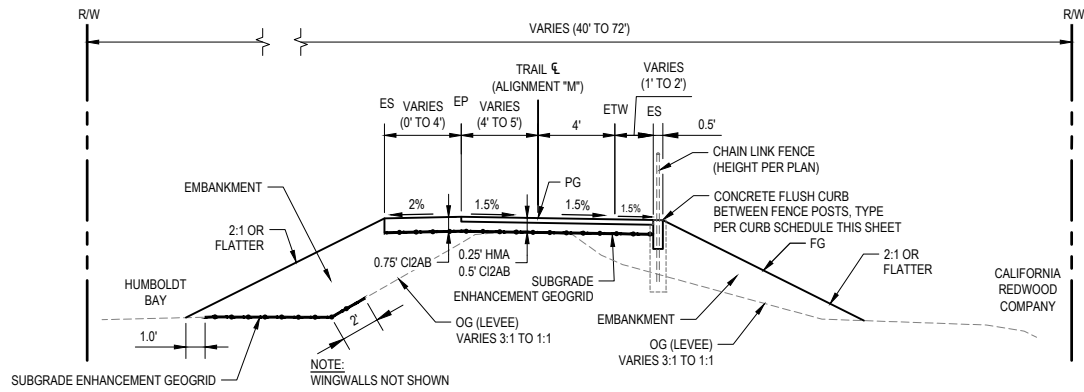
GHD
GHD Inc.
718 Third Street
Eureka California 95501 USA
T 1 707 443 8326 F 1 707 444 8330 W www.ghd.com

Drawn	O. GOODE	Designer	C. PENNY
Drafting Check	C. PENNY	Design Check	J. WOLF
Project Manager	J. WOLF	Date	12/23/2022
This document shall not be used for construction unless signed and sealed for construction.		Scale	AS SHOWN

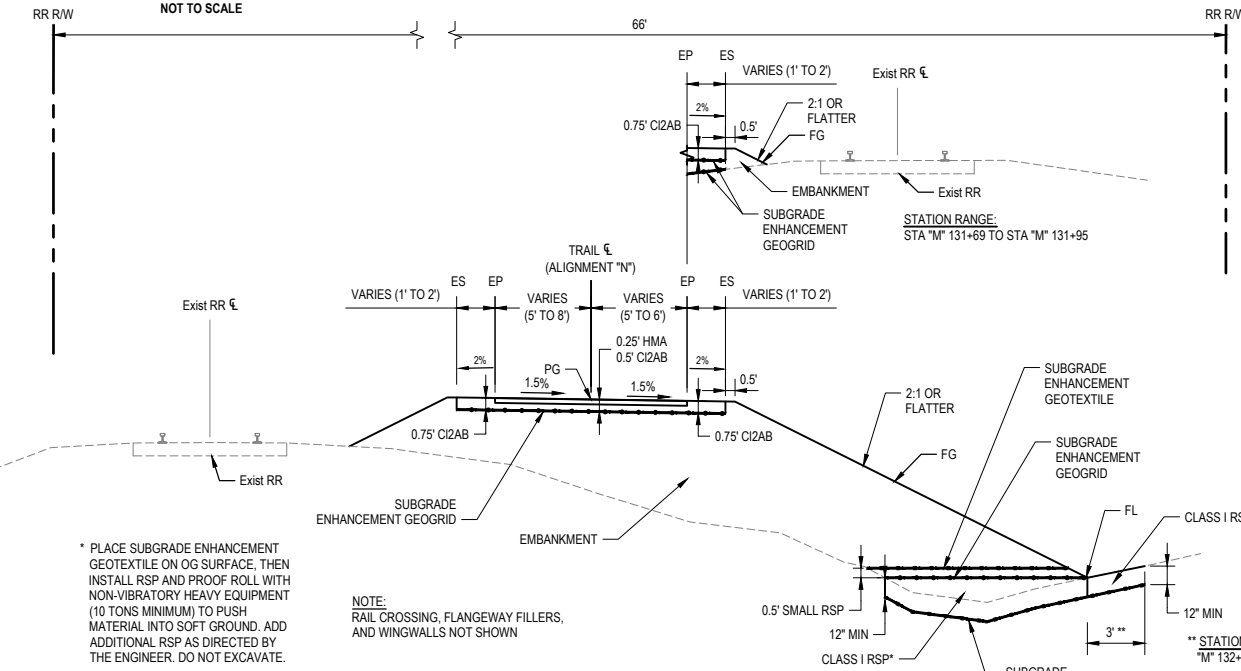
Client	COUNTY OF HUMBOLDT DEPARTMENT OF PUBLIC WORKS		
Project	HUMBOLDT BAY TRAIL SOUTH		
Title	TYPICAL SECTIONS 2 OF 8		
GHD Project No.	11110166 & 11218356		
Original Size	ANSI D		
Sheet No.	G-008		
Sheet	8 of 108		



TYPICAL SECTION: STA "M" 74+94 TO STA "M" 75+53
NOT TO SCALE



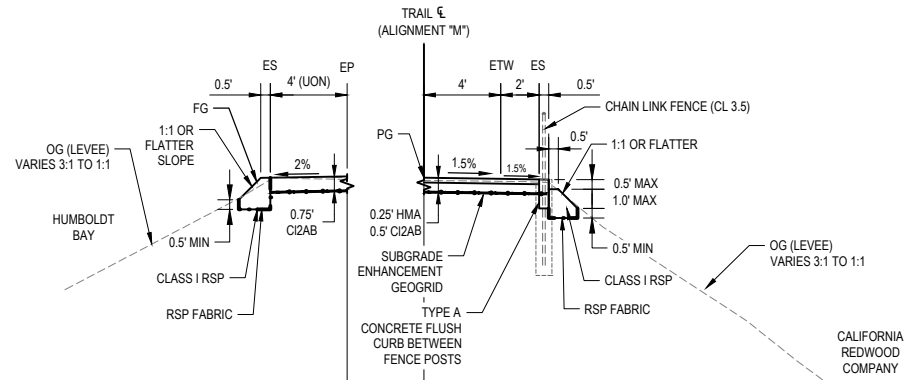
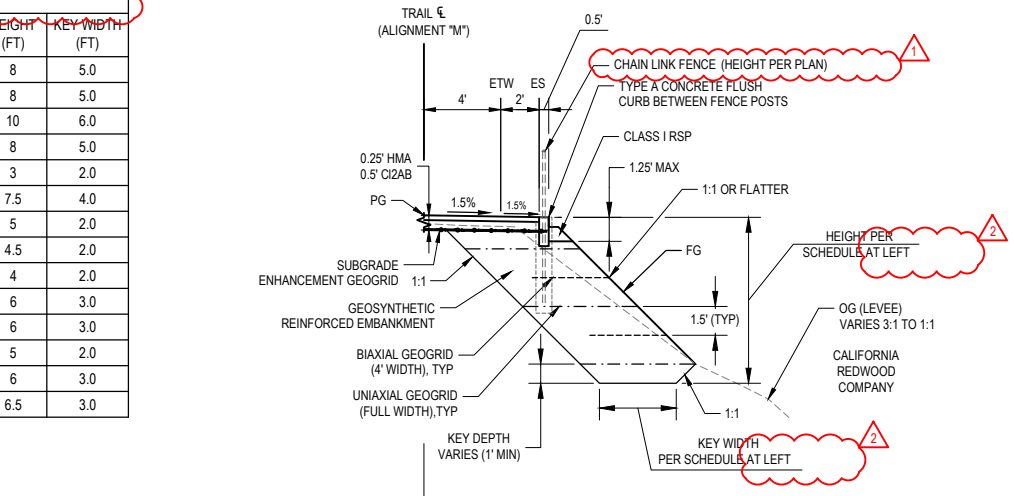
TYPICAL SECTION: STA "M" 76+01 TO STA "M" 77+00; STA "M" 129+40 TO STA "M" 129+99
NOT TO SCALE



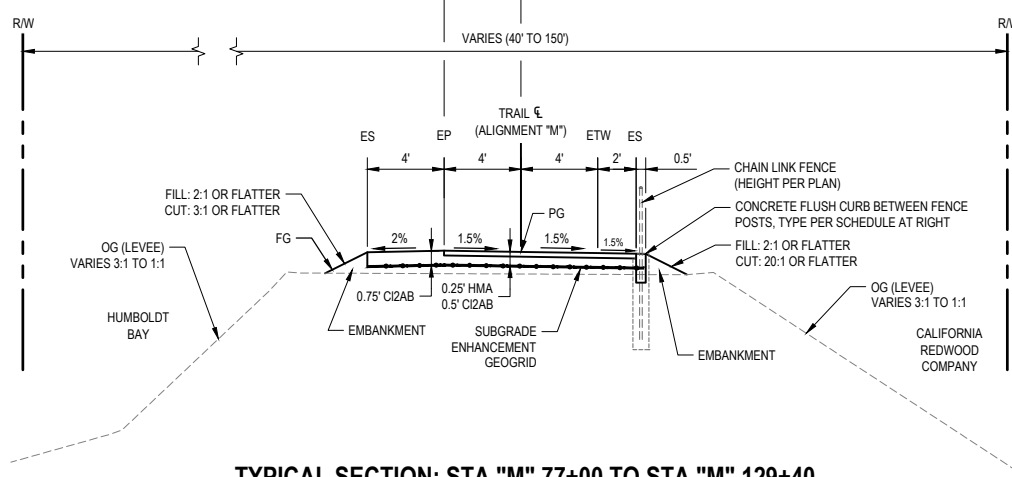
TYPICAL SECTION: STA "M" 131+69 TO STA "M" 132+28
NOT TO SCALE

REINFORCED SLOPE SCHEDULE		
STATION RANGE	HEIGHT (FT)	KEY WIDTH (FT)
76+40 - 78+40	8	5.0
79+95 - 81+00	8	5.0
81+00 - 81+40	10	6.0
81+40 - 82+35	8	5.0
84+40 - 85+10	3	2.0
88+60 - 89+30	7.5	4.0
91+70 - 94+60	5	2.0
105+19 - 105+58	4.5	2.0
110+85 - 111+95	4	2.0
115+95 - 116+35	6	3.0
118+70 - 119+60	6	3.0
119+60 - 121+70	5	2.0
121+70 - 124+88	6	3.0
126+38 - 127+25	6.5	3.0

STATION RANGE
80+50 - 80+75
84+40 - 84+65
93+30 - 94+35
102+10 - 102+30
102+85 - 103+35
111+95 - 112+45
123+60 - 124+10



STATION RANGE
78+40 - 79+95
82+35 - 84+40
85+10 - 85+35
86+20 - 87+05
94+60 - 94+95
100+90 - 101+50
103+15 - 104+00
105+58 - 105+85
117+35 - 118+70
125+70 - 126+38



TYPICAL SECTION: STA "M" 77+00 TO STA "M" 129+40
NOT TO SCALE

CURB SCHEDULE	
STATION RANGE	CURB TYPE
76+12 - 76+27	B
76+27 - 85+45	A
85+45 - 86+10	B
86+10 - 89+50	A
89+50 - 91+50	B
91+50 - 95+10	A
95+10 - 100+30	B
100+30 - 101+85	A
101+85 - 103+00	B
103+00 - 105+95	A
105+95 - 110+85	B
110+85 - 114+25	A
114+25 - 115+90	B
115+90 - 116+35	A
116+35 - 117+25	B
117+25 - 124+95	A
124+95 - 125+70	B
125+70 - 127+30	A
127+30 - 129+90	B

No.	Issue	Drawn	Approved	Date
2	Bid Addendum No. 3	CP	JW	3/9/23
1	Bid Addendum No. 2	OG	JW	3/1/23



Bar is one inch on original size sheet
0 1"

Reuse of Documents
This document and the ideas and designs incorporated herein, as an instrument of professional service, is the property of GHD and shall not be reused in whole or in part for any other project without GHD's written authorization.
© 2023 GHD



GHD
GHD Inc.
718 Third Street
Eureka California 95501 USA
T 1 707 443 8326 F 1 707 444 8330 W www.ghd.com

Drawn	O. GOODE	Designer	C. PENNY
Drafting Check	C. PENNY	Design Check	J. WOLF
Project Manager	J. WOLF	Date	12/23/2022
This document shall not be used for construction unless signed and sealed for construction.		Scale	AS SHOWN

Client		COUNTY OF HUMBOLDT DEPARTMENT OF PUBLIC WORKS	
Project		HUMBOLDT BAY TRAIL SOUTH	
Title		TYPICAL SECTIONS 4 OF 8	
GHD Project No.		11110166 & 11218356	
ANSI D	Original Size	Sheet No.	G-010
		Sheet	10 of 108



**County of Humboldt
Department of Public Works
1106 Second Street
Eureka, CA 95501
TEL (707) 445-7377**

ADDENDUM NO. 4
(Issued March 10, 2023)

**HUMBOLDT BAY TRAIL SOUTH
PROJECT NO.: RPSTPL-5904(143), RPL-5904(180), & ATPL-5904(182)
CONTRACT NO.: 715036**

The Special Provisions and Plans are hereby modified in accordance with the following:

1. *Replace the last paragraph of Section 17-2.03C with the following:*

Separate vegetation from soil. Any soil generated from grubbing operations shall be handled in accordance to section 14-11.

Contractor Questions

The information below is provided in response to written bidder inquiries. The following items shall become part of the contract documents for this project and all other conditions shall remain the same:

Question 1: Spec section 14-11.02 says that "Cal-Haz Waste is not expected to be generated in the project work site". In the next sentence it says that "Excess soils, if generated in the locations shown in the following table would be expected to be considered Cal-Haz Waste:"

Clearing and grubbing operations will necessarily produce some soil from the areas in the tables above. Is this to be considered "excess soils" and treated as Cal-Haz Waste?

Answer: *Per section 17-2.03B and 17-2.03C of the Special Provisions, Contractor shall separate vegetation from soil to avoid generating excess soil. Any excess soil generated from clearing and/or grubbing operations shall be handled in accordance to section 14-11.*

I M P O R T A N T

This Addendum is being sent EMAIL/FAX. To indicate receipt of this Addendum please sign and send back to the Department of Public Works.

EMAIL: PWEngineering@co.humboldt.ca.us
or FAX: (707) 445-7409

Received by:

Date

3/10/2023

Company:

Chelsey Rios

Pages

Received 2

Total Pages Sent 2

Question 2: Generally, the area between Stations “M”133+00 to “M”157+00 requiring the Eucalyptus tree removal and embankment fill is inland of the existing tracks but below mean higher high water (6.5 feet NAVD88). Will the work in this inland area (below Elev.6.5) be limited to the July 1-September 30 seasonal work window?

Answer: *The area between Stations “M”133+00 to “M”157+00 situated inland of the railroad tracks is not subject to the July 1-September 30 seasonal work window.*

Approved:



3/10/23

Josh Wolf
Civil Engineer
GHD Inc.
RCE 70358, Expires 09/30/2024

Date



3/10/23

Hank Seemann
Deputy Director of Public Works - Environmental Services
County of Humboldt

Date

Replace section 7-1.11B with:

**REQUIRED CONTRACT PROVISIONS FEDERAL-AID
CONSTRUCTION CONTRACTS**

FHWA-1273 -- Revised July 5, 2022

- I. General
- II. Nondiscrimination
- III. Non-segregated Facilities
- IV. Davis-Bacon and Related Act Provisions
- V. Contract Work Hours and Safety Standards Act Provisions
- VI. Subletting or Assigning the Contract
- VII. Safety: Accident Prevention
- VIII. False Statements Concerning Highway Projects
- IX. Implementation of Clean Air Act and Federal Water Pollution Control Act
- X. Certification Regarding Debarment, Suspension, Ineligibility and Voluntary Exclusion
- XI. Certification Regarding Use of Contract Funds for Lobbying
- XII. Use of United States-Flag Vessels:

ATTACHMENTS

A. Employment and Materials Preference for Appalachian Development Highway System or Appalachian Local Access Road Contracts (included in Appalachian contracts only)

I. GENERAL

1. Form FHWA-1273 must be physically incorporated in each construction contract funded under title 23, United States Code, as required in 23 CFR 633.102(b) (excluding emergency contracts solely intended for debris removal). The contractor (or subcontractor) must insert this form in each subcontract and further require its inclusion in all lower tier subcontracts (excluding purchase orders, rental agreements and other agreements for supplies or services). 23 CFR 633.102(e).

The applicable requirements of Form FHWA-1273 are incorporated by reference for work done under any purchase order, rental agreement or agreement for other services. The prime contractor shall be responsible for compliance by any subcontractor, lower-tier subcontractor or service provider. 23 CFR 633.102(e).

Form FHWA-1273 must be included in all Federal-aid design-build contracts, in all subcontracts and in lower tier subcontracts (excluding subcontracts for design services, purchase orders, rental agreements and other agreements for supplies or services) in accordance with 23 CFR 633.102. The design-builder shall be responsible for compliance by any subcontractor, lower-tier subcontractor or service provider.

Contracting agencies may reference Form FHWA-1273 in solicitation-for-bids or request-for-proposals documents, however, the Form FHWA-1273 must be physically incorporated (not

referenced) in all contracts, subcontracts and lower-tier subcontracts (excluding purchase orders, rental agreements and other agreements for supplies or services related to a construction contract). 23 CFR 633.102(b).

2. Subject to the applicability criteria noted in the following sections, these contract provisions shall apply to all work performed on the contract by the contractor's own organization and with the assistance of workers under the contractor's immediate superintendence and to all work performed on the contract by piecework, station work, or by subcontract. 23 CFR 633.102(d).

3. A breach of any of the stipulations contained in these Required Contract Provisions may be sufficient grounds for withholding of progress payments, withholding of final payment, termination of the contract, suspension / debarment or any other action determined to be appropriate by the contracting agency and FHWA.

4. Selection of Labor During the performance of this contract, the contractor shall not use convict labor for any purpose within the limits of a construction project on a Federal-aid highway unless it is labor performed by convicts who are on parole, supervised release, or probation. 23 U.S.C. 114(b). The term Federal-aid highway does not include roadways functionally classified as local roads or rural minor collectors. 23 U.S.C. 101(a).

II. NONDISCRIMINATION (23 CFR 230.107(a); 23 CFR Part 230, Subpart A, Appendix A; EO 11246)

The provisions of this section related to 23 CFR Part 230, Subpart A, Appendix A are applicable to all Federal-aid construction contracts and to all related construction subcontracts of \$10,000 or more. The provisions of 23 CFR Part 230 are not applicable to material supply, engineering, or architectural service contracts.

In addition, the contractor and all subcontractors must comply with the following policies: Executive Order 11246, 41 CFR Part 60, 29 CFR Parts 1625-1627, 23 U.S.C. 140, Section 504 of the Rehabilitation Act of 1973, as amended (29 U.S.C. 794), Title VI of the Civil Rights Act of 1964, as amended (42 U.S.C. 2000d et seq.), and related regulations including 49 CFR Parts 21, 26, and 27; and 23 CFR Parts 200, 230, and 633.

The contractor and all subcontractors must comply with: the requirements of the Equal Opportunity Clause in 41 CFR 60- 1.4(b) and, for all construction contracts exceeding \$10,000, the Standard Federal Equal Employment Opportunity Construction Contract Specifications in 41 CFR 60-4.3.

Note: The U.S. Department of Labor has exclusive authority to determine compliance with Executive Order 11246 and the policies of the Secretary of Labor including 41 CFR Part 60, and 29 CFR

Parts 1625-1627. The contracting agency and the FHWA have the authority and the responsibility to ensure compliance with 23 U.S.C. 140, Section 504 of the Rehabilitation Act of 1973, as amended (29 U.S.C. 794), and Title VI of the Civil Rights Act of 1964, as amended (42 U.S.C. 2000d et seq.), and related regulations including 49 CFR Parts 21, 26, and 27; and 23 CFR Parts 200, 230, and 633.

The following provision is adopted from 23 CFR Part 230, Subpart A, Appendix A, with appropriate revisions to conform to the U.S. Department of Labor (US DOL) and FHWA requirements.

1. Equal Employment Opportunity:

Equal Employment Opportunity (EEO) requirements not to discriminate and to take affirmative action to assure equal opportunity as set forth under laws, executive orders, rules, regulations (see 28 CFR Part 35, 29 CFR Part 1630, 29 CFR Parts 1625-1627, 41 CFR Part 60 and 49 CFR Part 27) and orders of the Secretary of Labor as modified by the provisions prescribed herein, and imposed pursuant to 23 U.S.C. 140, shall constitute the EEO and specific affirmative action standards for the contractor's project activities under this contract. The provisions of the Americans with Disabilities Act of 1990 (42 U.S.C. 12101 et seq.) set forth under 28 CFR Part 35 and 29 CFR Part 1630 are incorporated by reference in this contract. In the execution of this contract, the contractor agrees to comply with the following minimum specific requirement activities of EEO:

a. The contractor will work with the contracting agency and the Federal Government to ensure that it has made every good faith effort to provide equal opportunity with respect to all of its terms and conditions of employment and in their review of activities under the contract. 23 CFR 230.409 (g)(4) & (5).

b. The contractor will accept as its operating policy the following statement:

"It is the policy of this Company to assure that applicants are employed, and that employees are treated during employment, without regard to their race, religion, sex, sexual orientation, gender identity, color, national origin, age or disability. Such action shall include: employment, upgrading, demotion, or transfer; recruitment or recruitment advertising; layoff or termination; rates of pay or other forms of compensation; and selection for training, including apprenticeship, pre-apprenticeship, and/or on-the-job training."

2. EEO Officer: The contractor will designate and make known to the contracting officers an EEO Officer who will have the responsibility for and must be capable of effectively administering and promoting an active EEO program and who must be assigned adequate authority and responsibility to do so.

3. Dissemination of Policy: All members of the contractor's staff who are authorized to hire, supervise, promote, and discharge employees, or who recommend such action or are substantially involved in such action, will be made fully cognizant of, and will implement, the contractor's EEO policy and contractual responsibilities to provide EEO in each grade and classification of employment. To ensure that the above agreement will be met, the following actions will be taken as a minimum:

a. Periodic meetings of supervisory and personnel office employees will be conducted before the start of work and then not less often than once every six months, at which time the contractor's EEO

policy and its implementation will be reviewed and explained. The meetings will be conducted by the EEO Officer or other knowledgeable company official.

b. All new supervisory or personnel office employees will be given a thorough indoctrination by the EEO Officer, covering all major aspects of the contractor's EEO obligations within thirty days following their reporting for duty with the contractor.

c. All personnel who are engaged in direct recruitment for the project will be instructed by the EEO Officer in the contractor's procedures for locating and hiring minorities and women.

d. Notices and posters setting forth the contractor's EEO policy will be placed in areas readily accessible to employees, applicants for employment and potential employees.

e. The contractor's EEO policy and the procedures to implement such policy will be brought to the attention of employees by means of meetings, employee handbooks, or other appropriate means.

4. Recruitment: When advertising for employees, the contractor will include in all advertisements for employees the notation: "An Equal Opportunity Employer." All such advertisements will be placed in publications having a large circulation among minorities and women in the area from which the project work force would normally be derived.

a. The contractor will, unless precluded by a valid bargaining agreement, conduct systematic and direct recruitment through public and private employee referral sources likely to yield qualified minorities and women. To meet this requirement, the contractor will identify sources of potential minority group employees, and establish with such identified sources procedures whereby minority and women applicants may be referred to the contractor for employment consideration.

b. In the event the contractor has a valid bargaining agreement providing for exclusive hiring hall referrals, the contractor is expected to observe the provisions of that agreement to the extent that the system meets the contractor's compliance with EEO contract provisions. Where implementation of such an agreement has the effect of discriminating against minorities or women, or obligates the contractor to do the same, such implementation violates Federal nondiscrimination provisions.

c. The contractor will encourage its present employees to refer minorities and women as applicants for employment. Information and procedures with regard to referring such applicants will be discussed with employees.

5. Personnel Actions: Wages, working conditions, and employee benefits shall be established and administered, and personnel actions of every type, including hiring, upgrading, promotion, transfer, demotion, layoff, and termination, shall be taken without regard to race, color, religion, sex, sexual orientation, gender identity, national origin, age or disability. The following procedures shall be followed:

a. The contractor will conduct periodic inspections of project sites to ensure that working conditions and employee facilities do not indicate discriminatory treatment of project site personnel.

b. The contractor will periodically evaluate the spread of wages paid within each classification to determine any evidence of discriminatory wage practices.

c. The contractor will periodically review selected personnel actions in depth to determine whether there is evidence of discrimination. Where evidence is found, the contractor will promptly take corrective action. If the review indicates that the discrimination may extend beyond the actions reviewed, such corrective action shall include all affected persons.

d. The contractor will promptly investigate all complaints of alleged discrimination made to the contractor in connection with its obligations under this contract, will attempt to resolve such complaints, and will take appropriate corrective action within a reasonable time. If the investigation indicates that the discrimination may affect persons other than the complainant, such corrective action shall include such other persons. Upon completion of each investigation, the contractor will inform every complainant of all of their avenues of appeal.

6. Training and Promotion:

a. The contractor will assist in locating, qualifying, and increasing the skills of minorities and women who are applicants for employment or current employees. Such efforts should be aimed at developing full journey level status employees in the type of trade or job classification involved.

b. Consistent with the contractor's work force requirements and as permissible under Federal and State regulations, the contractor shall make full use of training programs (i.e., apprenticeship, and on-the-job training programs for the geographical area of contract performance). In the event a special provision for training is provided under this contract, this subparagraph will be superseded as indicated in the special provision. The contracting agency may reserve training positions for persons who receive welfare assistance in accordance with 23 U.S.C. 140(a).

c. The contractor will advise employees and applicants for employment of available training programs and entrance requirements for each.

d. The contractor will periodically review the training and promotion potential of employees who are minorities and women and will encourage eligible employees to apply for such training and promotion.

7. Unions: If the contractor relies in whole or in part upon unions as a source of employees, the contractor will use good faith efforts to obtain the cooperation of such unions to increase opportunities for minorities and women. 23 CFR 230.409. Actions by the contractor, either directly or through a contractor's association acting as agent, will include the procedures set forth below:

a. The contractor will use good faith efforts to develop, in cooperation with the unions, joint training programs aimed toward qualifying more minorities and women for membership in the unions and increasing the skills of minorities and women so that they may qualify for higher paying employment.

b. The contractor will use good faith efforts to incorporate an EEO clause into each union agreement to the end that such union will be contractually bound to refer applicants without regard to their race, color, religion, sex, sexual orientation, gender identity, national origin, age, or disability.

c. The contractor is to obtain information as to the referral practices and policies of the labor union except that to the extent such

information is within the exclusive possession of the labor union and such labor union refuses to furnish such information to the contractor, the contractor shall so certify to the contracting agency and shall set forth what efforts have been made to obtain such information.

d. In the event the union is unable to provide the contractor with a reasonable flow of referrals within the time limit set forth in the collective bargaining agreement, the contractor will, through independent recruitment efforts, fill the employment vacancies without regard to race, color, religion, sex, sexual orientation, gender identity, national origin, age, or disability; making full efforts to obtain qualified and/or qualifiable minorities and women. The failure of a union to provide sufficient referrals (even though it is obligated to provide exclusive referrals under the terms of a collective bargaining agreement) does not relieve the contractor from the requirements of this paragraph. In the event the union referral practice prevents the contractor from meeting the obligations pursuant to Executive Order 11246, as amended, and these special provisions, such contractor shall immediately notify the contracting agency.

8. Reasonable Accommodation for Applicants / Employees with Disabilities:

The contractor must be familiar with the requirements for and comply with the Americans with Disabilities Act and all rules and regulations established thereunder. Employers must provide reasonable accommodation in all employment activities unless to do so would cause an undue hardship.

9. Selection of Subcontractors, Procurement of Materials and Leasing of Equipment:

The contractor shall not discriminate on the grounds of race, color, religion, sex, sexual orientation, gender identity, national origin, age or disability in the selection and retention of subcontractors, including procurement of materials and leases of equipment. The contractor shall take all necessary and reasonable steps to ensure nondiscrimination in the administration of this contract.

a. The contractor shall notify all potential subcontractors, suppliers and lessors of their EEO obligations under this contract.

b. The contractor will use good faith efforts to ensure subcontractor compliance with their EEO obligations.

10. Assurance Required:

a. The requirements of 49 CFR Part 26 and the State DOT's FHWA-approved Disadvantaged Business Enterprise (DBE) program are incorporated by reference.

b. The contractor, subrecipient or subcontractor shall not discriminate on the basis of race, color, national origin, or sex in the performance of this contract. The contractor shall carry out applicable requirements of 49 CFR part 26 in the award and administration of DOT-assisted contracts. Failure by the contractor to carry out these requirements is a material breach of this contract, which may result in the termination of this contract or such other remedy as the recipient deems appropriate, which may include, but is not limited to:

- (1) Withholding monthly progress payments;
- (2) Assessing sanctions;

- (3) Liquidated damages; and/or
- (4) Disqualifying the contractor from future bidding as non-responsible.

c. The Title VI and nondiscrimination provisions of U.S. DOT Order 1050.2A at Appendixes A and E are incorporated by reference. 49 CFR Part 21.

11. Records and Reports:

The contractor shall keep such records as necessary to document compliance with the EEO requirements. Such records shall be retained for a period of three years following the date of the final payment to the contractor for all contract work and shall be available at reasonable times and places for inspection by authorized representatives of the contracting agency and the FHWA.

a. The records kept by the contractor shall document the following:

- (1) The number and work hours of minority and non-minority group members and women employed in each work classification on the project;
- (2) The progress and efforts being made in cooperation with unions, when applicable, to increase employment opportunities for minorities and women; and
- (3) The progress and efforts being made in locating, hiring, training, qualifying, and upgrading minorities and women;

b. The contractors and subcontractors will submit an annual report to the contracting agency each July for the duration of the project, indicating the number of minority, women, and non-minority group employees currently engaged in each work classification required by the contract work. This information is to be reported on Form FHWA-1391. The staffing data should represent the project work force on board in all or any part of the last payroll period preceding the end of July. If on-the-job training is being required by special provision, the contractor will be required to collect and report training data. The employment data should reflect the work force on board during all or any part of the last payroll period preceding the end of July.

III. NONSEGREGATED FACILITIES

This provision is applicable to all Federal-aid construction contracts and to all related construction subcontracts of more than \$10,000. 41 CFR 60-1.5.

As prescribed by 41 CFR 60-1.8, the contractor must ensure that facilities provided for employees are provided in such a manner that segregation on the basis of race, color, religion, sex, sexual orientation, gender identity, or national origin cannot result. The contractor may neither require such segregated use by written or oral policies nor tolerate such use by employee custom. The contractor's obligation extends further to ensure that its employees are not assigned to perform their services at any location under the contractor's control where the facilities are segregated. The term "facilities" includes waiting rooms, work areas, restaurants and other eating areas, time clocks, restrooms, washrooms, locker rooms and other storage or dressing areas, parking lots, drinking fountains, recreation or entertainment areas, transportation, and housing provided for employees. The contractor shall provide separate or single-user restrooms and necessary dressing or sleeping areas to assure privacy between sexes.

IV. DAVIS-BACON AND RELATED ACT PROVISIONS

This section is applicable to all Federal-aid construction projects exceeding \$2,000 and to all related subcontracts and lower-tier subcontracts (regardless of subcontract size), in accordance with 29 CFR 5.5. The requirements apply to all projects located within the right-of-way of a roadway that is functionally classified as Federal-aid highway. 23 U.S.C. 113. This excludes roadways functionally classified as local roads or rural minor collectors, which are exempt. 23 U.S.C. 101.

Where applicable law requires that projects be treated as a project on a Federal-aid highway, the provisions of this subpart will apply regardless of the location of the project. Examples include: Surface Transportation Block Grant Program projects funded under 23 U.S.C. 133 [excluding recreational trails projects], the Nationally Significant Freight and Highway

Projects funded under 23 U.S.C. 117, and National Highway Freight Program projects funded under 23 U.S.C. 167.

The following provisions are from the U.S. Department of Labor regulations in 29 CFR 5.5 "Contract provisions and related matters" with minor revisions to conform to the FHWA- 1273 format and FHWA program requirements.

1. Minimum wages (29 CFR 5.5)

a. All laborers and mechanics employed or working upon the site of the work, will be paid unconditionally and not less often than once a week, and without subsequent deduction or rebate on any account (except such payroll deductions as are permitted by regulations issued by the Secretary of Labor under the Copeland Act (29 CFR part 3)), the full amount of wages and bona fide fringe benefits (or cash equivalents thereof) due at time of payment computed at rates not less than those contained in the wage determination of the Secretary of Labor which is attached hereto and made a part hereof, regardless of any contractual relationship which may be alleged to exist between the contractor and such laborers and mechanics.

Contributions made or costs reasonably anticipated for bona fide fringe benefits under section 1(b)(2) of the Davis-Bacon Act on behalf of laborers or mechanics are considered wages paid to such laborers or mechanics, subject to the provisions of paragraph 1.d. of this section; also, regular contributions made or costs incurred for more than a weekly period (but not less often than quarterly) under plans, funds, or programs which cover the particular weekly period, are deemed to be constructively made or incurred during such weekly period. Such laborers and mechanics shall be paid the appropriate wage rate and fringe benefits on the wage determination for the classification of work actually performed, without regard to skill, except as provided in 29 CFR 5.5(a)(4). Laborers or mechanics performing work in more than one classification may be compensated at the rate specified for each classification for the time actually worked therein: Provided, That the employer's payroll records accurately set forth the time spent in each classification in which work is performed. The wage determination (including any additional classification and wage rates conformed under paragraph 1.b. of this section) and the Davis-Bacon poster (WH-1321) shall be posted at all times by the contractor and its subcontractors at the site of the work in a prominent and accessible place where it can be easily seen by the workers.

b.(1) The contracting officer shall require that any class of laborers or mechanics, including helpers, which is not listed in the wage

determination and which is to be employed under the contract shall be classified in conformance with the wage determination. The contracting officer shall approve an additional classification and wage rate and fringe benefits therefore only when the following criteria have been met:

- (i) The work to be performed by the classification requested is not performed by a classification in the wage determination; and
- (ii) The classification is utilized in the area by the construction industry; and
- (iii) The proposed wage rate, including any bona fide fringe benefits, bears a reasonable relationship to the wage rates contained in the wage determination.

(2) If the contractor and the laborers and mechanics to be employed in the classification (if known), or their representatives, and the contracting officer agree on the classification and wage rate (including the amount designated for fringe benefits where appropriate), a report of the action taken shall be sent by the contracting officer to the Administrator of the Wage and Hour Division, U.S. Department of Labor, Washington, DC 20210. The Administrator, or an authorized representative, will approve, modify, or disapprove every additional classification action within 30 days of receipt and so advise the contracting officer or will notify the contracting officer within the 30-day period that additional time is necessary.

(3) In the event the contractor, the laborers or mechanics to be employed in the classification or their representatives, and the contracting officer do not agree on the proposed classification and wage rate (including the amount designated for fringe benefits, where appropriate), the contracting officer shall refer the questions, including the views of all interested parties and the recommendation of the contracting officer, to the Administrator for determination. The Administrator, or an authorized representative, will issue a determination within 30 days of receipt and so advise the contracting officer or will notify the contracting officer within the 30-day period that additional time is necessary.

(4) The wage rate (including fringe benefits where appropriate) determined pursuant to paragraphs 1.b.(2) or 1.b.(3) of this section, shall be paid to all workers performing work in the classification under this contract from the first day on which work is performed in the classification.

c. Whenever the minimum wage rate prescribed in the contract for a class of laborers or mechanics includes a fringe benefit which is not expressed as an hourly rate, the contractor shall either pay the benefit as stated in the wage determination or shall pay another bona fide fringe benefit or an hourly cash equivalent thereof.

d. If the contractor does not make payments to a trustee or other third person, the contractor may consider as part of the wages of any laborer or mechanic the amount of any costs reasonably anticipated in providing bona fide fringe benefits under a plan or program. Provided, That the Secretary of Labor has found, upon the written request of the contractor, that the applicable standards of the Davis-Bacon Act have been met. The Secretary of Labor may require the contractor to set aside in a separate account assets for the meeting of obligations under the plan or program.

2. Withholding (29 CFR 5.5)

The contracting agency shall upon its own action or upon written request of an authorized representative of the Department of Labor, withhold or cause to be withheld from the contractor under this contract, or any other Federal contract with the same prime contractor, or any other federally-assisted contract subject to Davis-Bacon prevailing wage requirements, which is held by the same prime contractor, so much of the accrued payments or advances as may be considered necessary to pay laborers and mechanics, including apprentices, trainees, and helpers, employed by the contractor or any subcontractor the full amount of wages required by the contract. In the event of failure to pay any laborer or mechanic, including any apprentice, trainee, or helper, employed or working on the site of the work, all or part of the wages required by the contract, the contracting agency may, after written notice to the contractor, take such action as may be necessary to cause the suspension of any further payment, advance, or guarantee of funds until such violations have ceased.

3. Payrolls and basic records (29 CFR 5.5)

a. Payrolls and basic records relating thereto shall be maintained by the contractor during the course of the work and preserved for a period of three years thereafter for all laborers and mechanics working at the site of the work. Such records shall contain the name, address, and social security number of each such worker, his or her correct classification, hourly rates of wages paid (including rates of contributions or costs anticipated for bona fide fringe benefits or cash equivalents thereof of the types described in section 1(b)(2)(B) of the Davis-Bacon Act), daily and weekly number of hours worked, deductions made and actual wages paid. Whenever the Secretary of Labor has found under 29 CFR 5.5(a)(1)(iv) that the wages of any laborer or mechanic include the amount of any costs reasonably anticipated in providing benefits under a plan or program described in section 1(b)(2)(B) of the Davis-Bacon Act, the contractor shall maintain records which show that the commitment to provide such benefits is enforceable, that the plan or program is financially responsible, and that the plan or program has been communicated in writing to the laborers or mechanics affected, and records which show the costs anticipated or the actual cost incurred in providing such benefits. Contractors employing apprentices or trainees under approved programs shall maintain written evidence of the registration of apprenticeship programs and certification of trainee programs, the registration of the apprentices and trainees, and the ratios and wage rates prescribed in the applicable programs.

b.(1) The contractor shall submit weekly for each week in which any contract work is performed a copy of all payrolls to the contracting agency. The payrolls submitted shall set out accurately and completely all of the information required to be maintained under 29 CFR 5.5(a)(3)(i), except that full social security numbers and home addresses shall not be included on weekly transmittals. Instead the payrolls shall only need to include an individually identifying number for each employee (e.g., the last four digits of the employee's social security number). The required weekly payroll information may be submitted in any form desired. Optional Form WH-347 is available for this purpose from the Wage and Hour Division Web site. The prime contractor is responsible for the submission of copies of payrolls by all subcontractors. Contractors and subcontractors shall maintain the full social security number and current address of each covered worker, and shall provide them upon request to the contracting agency for transmission to the State DOT, the FHWA or the Wage and Hour Division of the Department of Labor for purposes of an investigation or audit of compliance with prevailing wage requirements. It is not a violation of this section for a prime contractor to require a subcontractor to provide

addresses and social security numbers to the prime contractor for its own records, without weekly submission to the contracting agency.

(2) Each payroll submitted shall be accompanied by a "Statement of Compliance," signed by the contractor or subcontractor or his or her agent who pays or supervises the payment of the persons employed under the contract and shall certify the following:

(i) That the payroll for the payroll period contains the information required to be provided under 29 CFR 5.5(a)(3)(ii), the appropriate information is being maintained under 29 CFR 5.5(a)(3)(i), and that such information is correct and complete;

(ii) That each laborer or mechanic (including each helper, apprentice, and trainee) employed on the contract during the payroll period has been paid the full weekly wages earned, without rebate, either directly or indirectly, and that no deductions have been made either directly or indirectly from the full wages earned, other than permissible deductions as set forth in 29 CFR part 3;

(iii) That each laborer or mechanic has been paid not less than the applicable wage rates and fringe benefits or cash equivalents for the classification of work performed, as specified in the applicable wage determination incorporated into the contract.

(3) The weekly submission of a properly executed certification set forth on the reverse side of Optional Form WH-347 shall satisfy the requirement for submission of the "Statement of Compliance" required by paragraph 3.b.(2) of this section.

(4) The falsification of any of the above certifications may subject the contractor or subcontractor to civil or criminal prosecution under 18 U.S.C. 1001 and 31 U.S.C. 231.

c. The contractor or subcontractor shall make the records required under paragraph 3.a. of this section available for inspection, copying, or transcription by authorized representatives of the contracting agency, the State DOT, the FHWA, or the Department of Labor, and shall permit such representatives to interview employees during working hours on the job. If the contractor or subcontractor fails to submit the required records or to make them available, the FHWA may, after written notice to the contractor, the contracting agency or the State DOT, take such action as may be necessary to cause the suspension of any further payment, advance, or guarantee of funds. Furthermore, failure to submit the required records upon request or to make such records available may be grounds for debarment action pursuant to 29 CFR 5.12.

4. Apprentices and trainees (29 CFR 5.5)

a. Apprentices (programs of the USDOL).

Apprentices will be permitted to work at less than the predetermined rate for the work they performed when they are employed pursuant to and individually registered in a bona fide apprenticeship program registered with the U.S. Department of Labor, Employment and Training Administration, Office of Apprenticeship Training, Employer and Labor Services, or with a State Apprenticeship Agency recognized by the Office, or if a person is employed in his or her first 90 days of probationary employment as an apprentice in such an apprenticeship program, who is not individually registered in the program, but who has been certified by the Office of Apprenticeship Training, Employer and Labor Services or a State Apprenticeship Agency (where

appropriate) to be eligible for probationary employment as an apprentice.

The allowable ratio of apprentices to journeymen on the job site in any craft classification shall not be greater than the ratio permitted to the contractor as to the entire work force under the registered program. Any worker listed on a payroll at an apprentice wage rate, who is not registered or otherwise employed as stated above, shall be paid not less than the applicable wage rate on the wage determination for the classification of work actually performed. In addition, any apprentice performing work on the job site in excess of the ratio permitted under the registered program shall be paid not less than the applicable wage rate on the wage determination for the work actually performed. Where a contractor is performing construction on a project in a locality other than that in which its program is registered, the ratios and wage rates (expressed in percentages of the journeyman's hourly rate) specified in the contractor's or subcontractor's registered program shall be observed.

Every apprentice must be paid at not less than the rate specified in the registered program for the apprentice's level of progress, expressed as a percentage of the journeymen hourly rate specified in the applicable wage determination. Apprentices shall be paid fringe benefits in accordance with the provisions of the apprenticeship program. If the apprenticeship program does not specify fringe benefits, apprentices must be paid the full amount of fringe benefits listed on the wage determination for the applicable classification. If the Administrator determines that a different practice prevails for the applicable apprentice classification, fringes shall be paid in accordance with that determination.

In the event the Office of Apprenticeship Training, Employer and Labor Services, or a State Apprenticeship Agency recognized by the Office, withdraws approval of an apprenticeship program, the contractor will no longer be permitted to utilize apprentices at less than the applicable predetermined rate for the work performed until an acceptable program is approved.

b. Trainees (programs of the USDOL).

Except as provided in 29 CFR 5.16, trainees will not be permitted to work at less than the predetermined rate for the work performed unless they are employed pursuant to and individually registered in a program which has received prior approval, evidenced by formal certification by the U.S. Department of Labor, Employment and Training Administration.

The ratio of trainees to journeymen on the job site shall not be greater than permitted under the plan approved by the Employment and Training Administration.

Every trainee must be paid at not less than the rate specified in the approved program for the trainee's level of progress, expressed as a percentage of the journeyman hourly rate specified in the applicable wage determination. Trainees shall be paid fringe benefits in accordance with the provisions of the trainee program. If the trainee program does not mention fringe benefits, trainees shall be paid the full amount of fringe benefits listed on the wage determination unless the Administrator of the Wage and Hour Division determines that there is an apprenticeship program associated with the corresponding journeyman wage rate on the wage determination which provides for less than full fringe benefits for apprentices. Any employee listed on the payroll at a trainee rate who is not registered and participating in a training plan approved by the Employment and Training Administration shall be paid not less than the

applicable wage rate on the wage determination for the classification of work actually performed. In addition, any trainee performing work on the job site in excess of the ratio permitted under the registered program shall be paid not less than the applicable wage rate on the wage determination for the work actually performed.

In the event the Employment and Training Administration withdraws approval of a training program, the contractor will no longer be permitted to utilize trainees at less than the applicable predetermined rate for the work performed until an acceptable program is approved.

c. Equal employment opportunity. The utilization of apprentices, trainees and journeymen under this part shall be in conformity with the equal employment opportunity requirements of Executive Order 11246, as amended, and 29 CFR part 30.

d. Apprentices and Trainees (programs of the U.S. DOT).

Apprentices and trainees working under apprenticeship and skill training programs which have been certified by the Secretary of Transportation as promoting EEO in connection with Federal-aid highway construction programs are not subject to the requirements of paragraph 4 of this Section IV. 23 CFR 230.111(e)(2). The straight time hourly wage rates for apprentices and trainees under such programs will be established by the particular programs. The ratio of apprentices and trainees to journeymen shall not be greater than permitted by the terms of the particular program.

5. Compliance with Copeland Act requirements.

The contractor shall comply with the requirements of 29 CFR part 3, which are incorporated by reference in this contract as provided in 29 CFR 5.5.

6. Subcontracts.

The contractor or subcontractor shall insert Form FHWA-1273 in any subcontracts and also require the subcontractors to include Form FHWA-1273 in any lower tier subcontracts. The prime contractor shall be responsible for the compliance by any subcontractor or lower tier subcontractor with all the contract clauses in 29 CFR 5.5.

7. Contract termination: debarment.

A breach of the contract clauses in 29 CFR 5.5 may be grounds for termination of the contract, and for debarment as a contractor and a subcontractor as provided in 29 CFR 5.12.

8. Compliance with Davis-Bacon and Related Act requirements.

All rulings and interpretations of the Davis-Bacon and Related Acts contained in 29 CFR parts 1, 3, and 5 are herein incorporated by reference in this contract as provided in 29 CFR 5.5.

9. Disputes concerning labor standards.

As provided in 29 CFR 5.5, disputes arising out of the labor standards provisions of this contract shall not be subject to the general disputes clause of this contract. Such disputes shall be

resolved in accordance with the procedures of the Department of Labor set forth in 29 CFR parts 5, 6, and 7. Disputes within the meaning of this clause include disputes between the contractor (or any of its subcontractors) and the contracting agency, the U.S. Department of Labor, or the employees or their representatives.

10. Certification of eligibility (29 CFR 5.5)

a. By entering into this contract, the contractor certifies that neither it (nor he or she) nor any person or firm who has an interest in the contractor's firm is a person or firm ineligible to be awarded Government contracts by virtue of section 3(a) of the Davis-Bacon Act or 29 CFR 5.12(a)(1).

b. No part of this contract shall be subcontracted to any person or firm ineligible for award of a Government contract by virtue of section 3(a) of the Davis-Bacon Act or 29 CFR 5.12(a)(1).

c. The penalty for making false statements is prescribed in the U.S. Criminal Code, 18 U.S.C. 1001.

V. CONTRACT WORK HOURS AND SAFETY STANDARDS ACT

Pursuant to 29 CFR 5.5(b), the following clauses apply to any Federal-aid construction contract in an amount in excess of \$100,000 and subject to the overtime provisions of the Contract Work Hours and Safety Standards Act. These clauses shall be inserted in addition to the clauses required by 29 CFR 5.5(a) or 29 CFR 4.6. As used in this paragraph, the terms laborers and mechanics include watchmen and guards.

1. Overtime requirements. No contractor or subcontractor contracting for any part of the contract work which may require or involve the employment of laborers or mechanics shall require or permit any such laborer or mechanic in any workweek in which he or she is employed on such work to work in excess of forty hours in such workweek unless such laborer or mechanic receives compensation at a rate not less than one and one-half times the basic rate of pay for all hours worked in excess of forty hours in such workweek. 29 CFR 5.5.

2. Violation; liability for unpaid wages; liquidated damages. In the event of any violation of the clause set forth in paragraph 1 of this section, the contractor and any subcontractor responsible therefor shall be liable for the unpaid wages. In addition, such contractor and subcontractor shall be liable to the United States (in the case of work done under contract for the District of Columbia or a territory, to such District or to such territory), for liquidated damages. Such liquidated damages shall be computed with respect to each individual laborer or mechanic, including watchmen and guards, employed in violation of the clause set forth in paragraph 1 of this section, in the sum currently provided in 29 CFR 5.5(b)(2)* for each calendar day on which such individual was required or permitted to work in excess of the standard workweek of forty hours without payment of the overtime wages required by the clause set forth in paragraph 1 of this section. 29 CFR 5.5.

* \$27 as of January 23, 2019 (See 84 FR 213-01, 218) as may be adjusted annually by the Department of Labor; pursuant to the Federal Civil Penalties Inflation Adjustment Act of 1990).

3. Withholding for unpaid wages and liquidated damages.

The FHWA or the contacting agency shall upon its own action or upon written request of an authorized representative of the Department of Labor withhold or cause to be withheld, from any moneys payable on account of work performed by the contractor or subcontractor under any such contract or any other Federal contract with the same prime contractor, or any other federally-assisted contract subject to the Contract Work Hours and Safety Standards Act, which is held by the same prime contractor, such sums as may be determined to be necessary to satisfy any liabilities of such contractor or subcontractor for unpaid wages and liquidated damages as provided in the clause set forth in paragraph 2 of this section. 29 CFR 5.5.

4. Subcontracts. The contractor or subcontractor shall insert in any subcontracts the clauses set forth in paragraphs 1 through 4 of this section and also a clause requiring the subcontractors to include these clauses in any lower tier subcontracts. The prime contractor shall be responsible for compliance by any subcontractor or lower tier subcontractor with the clauses set forth in paragraphs 1 through 4 of this section. 29 CFR 5.5.

VI. SUBLETTING OR ASSIGNING THE CONTRACT

This provision is applicable to all Federal-aid construction contracts on the National Highway System pursuant to 23 CFR 635.116.

1. The contractor shall perform with its own organization contract work amounting to not less than 30 percent (or a greater percentage if specified elsewhere in the contract) of the total original contract price, excluding any specialty items designated by the contracting agency. Specialty items may be performed by subcontract and the amount of any such specialty items performed may be deducted from the total original contract price before computing the amount of work required to be performed by the contractor's own organization (23 CFR 635.116).

a. The term "perform work with its own organization" in paragraph 1 of Section VI refers to workers employed or leased by the prime contractor, and equipment owned or rented by the prime contractor, with or without operators. Such term does not include employees or equipment of a subcontractor or lower tier subcontractor, agents of the prime contractor, or any other assignees. The term may include payments for the costs of hiring leased employees from an employee leasing firm meeting all relevant Federal and State regulatory requirements. Leased employees may only be included in this term if the prime contractor meets all of the following conditions: (based on longstanding interpretation)

(1) the prime contractor maintains control over the supervision of the day-to-day activities of the leased employees;

(2) the prime contractor remains responsible for the quality of the work of the leased employees;

(3) the prime contractor retains all power to accept or exclude individual employees from work on the project; and

(4) the prime contractor remains ultimately responsible for the payment of predetermined minimum wages, the submission of payrolls, statements of compliance and all other Federal regulatory requirements.

b. "Specialty Items" shall be construed to be limited to work that requires highly specialized knowledge, abilities, or equipment not ordinarily available in the type of contracting organizations qualified and expected to bid or propose on the contract as a whole and in general are to be limited to minor components of the overall contract. 23 CFR 635.102

2. Pursuant to 23 CFR 635.116(a), the contract amount upon which the requirements set forth in paragraph (1) of Section VI is computed includes the cost of material and manufactured products which are to be purchased or produced by the contractor under the contract provisions.

3. Pursuant to 23 CFR 635.116(c), the contractor shall furnish (a) a competent superintendent or supervisor who is employed by the firm, has full authority to direct performance of the work in accordance with the contract requirements, and is in charge of all construction operations (regardless of who performs the work) and (b) such other of its own organizational resources (supervision, management, and engineering services) as the contracting officer determines is necessary to assure the performance of the contract.

4. No portion of the contract shall be sublet, assigned or otherwise disposed of except with the written consent of the contracting officer, or authorized representative, and such consent when given shall not be construed to relieve the contractor of any responsibility for the fulfillment of the contract. Written consent will be given only after the contracting agency has assured that each subcontract is evidenced in writing and that it contains all pertinent provisions and requirements of the prime contract. (based on long- standing interpretation of 23 CFR 635.116).

5. The 30 percent self-performance requirement of paragraph (1) is not applicable to design-build contracts; however, contracting agencies may establish their own self-performance requirements. 23 CFR 635.116(d).

VII. SAFETY: ACCIDENT PREVENTION

This provision is applicable to all Federal-aid construction contracts and to all related subcontracts.

1. In the performance of this contract the contractor shall comply with all applicable Federal, State, and local laws governing safety, health, and sanitation (23 CFR Part 635). The contractor shall provide all safeguards, safety devices and protective equipment and take any other needed actions as it determines, or as the contracting officer may determine, to be reasonably necessary to protect the life and health of employees on the job and the safety of the public and to protect property in connection with the performance of the work covered by the contract. 23 CFR 635.108.

2. It is a condition of this contract, and shall be made a condition of each subcontract, which the contractor enters into pursuant to this contract, that the contractor and any subcontractor shall not permit any employee, in performance of the contract, to work in surroundings or under conditions which are unsanitary, hazardous or dangerous to his/her health or safety, as determined under construction safety and health standards (29 CFR Part 1926) promulgated by the Secretary of Labor, in accordance with Section 107 of the Contract Work Hours and Safety Standards Act (40 U.S.C. 3704). 29 CFR 1926.10.

3. Pursuant to 29 CFR 1926.3, it is a condition of this contract that the Secretary of Labor or authorized representative thereof, shall

have right of entry to any site of contract performance to inspect or investigate the matter of compliance with the construction safety and health standards and to carry out the duties of the Secretary under Section 107 of the Contract Work Hours and Safety Standards Act (40 U.S.C.3704).

VIII. FALSE STATEMENTS CONCERNING HIGHWAY PROJECTS

This provision is applicable to all Federal-aid construction contracts and to all related subcontracts.

In order to assure high quality and durable construction in conformity with approved plans and specifications and a high degree of reliability on statements and representations made by engineers, contractors, suppliers, and workers on Federal-aid highway projects, it is essential that all persons concerned with the project perform their functions as carefully, thoroughly, and honestly as possible. Willful falsification, distortion, or misrepresentation with respect to any facts related to the project is a violation of Federal law. To prevent any misunderstanding regarding the seriousness of these and similar acts, Form FHWA-1022 shall be posted on each Federal-aid highway project (23 CFR Part 635) in one or more places where it is readily available to all persons concerned with the project:

18 U.S.C. 1020 reads as follows:

"Whoever, being an officer, agent, or employee of the United States, or of any State or Territory, or whoever, whether a person, association, firm, or corporation, knowingly makes any false statement, false representation, or false report as to the character, quality, quantity, or cost of the material used or to be used, or the quantity or quality of the work performed or to be performed, or the cost thereof in connection with the submission of plans, maps, specifications, contracts, or costs of construction on any highway or related project submitted for approval to the Secretary of Transportation; or

Whoever knowingly makes any false statement, false representation, false report or false claim with respect to the character, quality, quantity, or cost of any work performed or to be performed, or materials furnished or to be furnished, in connection with the construction of any highway or related project approved by the Secretary of Transportation; or

Whoever knowingly makes any false statement or false representation as to material fact in any statement, certificate, or report submitted pursuant to provisions of the Federal-aid Roads Act approved July 11, 1916, (39 Stat. 355), as amended and supplemented;

Shall be fined under this title or imprisoned not more than 5 years or both."

IX. IMPLEMENTATION OF CLEAN AIR ACT AND FEDERAL WATER POLLUTION CONTROL ACT (42 U.S.C. 7606; 2 CFR 200.88; EO 11738)

This provision is applicable to all Federal-aid construction contracts in excess of \$150,000 and to all related subcontracts. 48 CFR 2.101; 2 CFR 200.326.

By submission of this bid/proposal or the execution of this contract or subcontract, as appropriate, the bidder, proposer, Federal-aid construction contractor, subcontractor, supplier, or vendor agrees to comply with all applicable standards, orders or regulations issued pursuant to the Clean Air Act (42 U.S.C. 7401-7671q) and the Federal Water Pollution Control Act, as amended (33 U.S.C. 1251-1387). Violations must be reported to the Federal Highway Administration and the Regional Office of the Environmental Protection Agency. 2 CFR Part 200, Appendix II.

The contractor agrees to include or cause to be included the requirements of this Section in every subcontract, and further agrees to take such action as the contracting agency may direct as a means of enforcing such requirements. 2 CFR 200.326.

X. CERTIFICATION REGARDING DEBARMENT, INELIGIBILITY AND VOLUNTARY EXCLUSION

This provision is applicable to all Federal-aid construction contracts, design-build contracts, subcontracts, lower-tier subcontracts, purchase orders, lease agreements, consultant contracts or any other covered transaction requiring FHWA approval or that is estimated to cost \$25,000 or more – as defined in 2 CFR Parts 180 and 1200. 2 CFR 180.220 and 1200.220.

1. Instructions for Certification – First Tier Participants:

a. By signing and submitting this proposal, the prospective first tier participant is providing the certification set out below.

b. The inability of a person to provide the certification set out below will not necessarily result in denial of participation in this covered transaction. The prospective first tier participant shall submit an explanation of why it cannot provide the certification set out below. The certification or explanation will be considered in connection with the department or agency's determination whether to enter into this transaction. However, failure of the prospective first tier participant to furnish a certification or an explanation shall disqualify such a person from participation in this transaction. 2 CFR 180.320.

c. The certification in this clause is a material representation of fact upon which reliance was placed when the contracting agency determined to enter into this transaction. If it is later determined that the prospective participant knowingly rendered an erroneous certification, in addition to other remedies available to the Federal Government, the contracting agency may terminate this transaction for cause of default. 2 CFR 180.325

d. The prospective first tier participant shall provide immediate written notice to the contracting agency to whom this proposal is submitted if any time the prospective first tier participant learns that its certification was erroneous when submitted or has become erroneous by reason of changed circumstances. 2 CFR 180.345 and 180.350.

e. The terms "covered transaction," "debarred," "suspended," "ineligible," "participant," "person," "principal," and "voluntarily excluded," as used in this clause, are defined in 2 CFR Parts 180, Subpart I, 180.900-180.1020, and 1200. "First Tier Covered Transactions" refers to any covered transaction between a recipient

or subrecipient of Federal funds and a participant (such as the prime or general contract). “Lower Tier Covered Transactions” refers to any covered transaction under a First Tier Covered Transaction (such as subcontracts). “First Tier Participant” refers to the participant who has entered into a covered transaction with a recipient or subrecipient of Federal funds (such as the prime or general contractor). “Lower Tier Participant” refers any participant who has entered into a covered transaction with a First Tier Participant or other Lower Tier Participants (such as subcontractors and suppliers).

f. The prospective first tier participant agrees by submitting this proposal that, should the proposed covered transaction be entered into, it shall not knowingly enter into any lower tier covered transaction with a person who is debarred, suspended, declared ineligible, or voluntarily excluded from participation in this covered transaction, unless authorized by the department or agency entering into this transaction. 2 CFR 180.330

g. The prospective first tier participant further agrees by submitting this proposal that it will include the clause titled "Certification Regarding Debarment, Suspension, Ineligibility and Voluntary Exclusion-Lower Tier Covered Transactions," provided by the department or contracting agency, entering into this covered transaction, without modification, in all lower tier covered transactions and in all solicitations for lower tier covered transactions exceeding the \$25,000 threshold. 2 CFR 180.220 and 180.300.

h. A participant in a covered transaction may rely upon a certification of a prospective participant in a lower tier covered transaction that is not debarred, suspended, ineligible, or voluntarily excluded from the covered transaction, unless it knows that the certification is erroneous. 2 CFR 180.300; 180.320, and 180.325. A participant is responsible for ensuring that its principals are not suspended, debarred, or otherwise ineligible to participate in covered transactions. 2 CFR 180.335. To verify the eligibility of its principals, as well as the eligibility of any lower tier prospective participants, each participant may, but is not required to, check the System for Award Management website (<https://www.sam.gov/>). 2 CFR 180.300, 180.320, and 180.325.

i. Nothing contained in the foregoing shall be construed to require the establishment of a system of records in order to render in good faith the certification required by this clause. The knowledge and information of the prospective participant is not required to exceed that which is normally possessed by a prudent person in the ordinary course of business dealings.

j. Except for transactions authorized under paragraph (f) of these instructions, if a participant in a covered transaction knowingly enters into a lower tier covered transaction with a person who is suspended, debarred, ineligible, or voluntarily excluded from participation in this transaction, in addition to other remedies available to the Federal Government, the department or agency may terminate this transaction for cause or default. 2 CFR 180.325.

* * * * *

2. Certification Regarding Debarment, Suspension, Ineligibility and Voluntary Exclusion – First Tier Participants:

a. The prospective first tier participant certifies to the best of its knowledge and belief, that it and its principals:

(1) Are not presently debarred, suspended, proposed for debarment, declared ineligible, or voluntarily excluded from participating in covered transactions by any Federal department or agency, 2 CFR 180.335,

(2) Have not within a three-year period preceding this proposal been convicted of or had a civil judgment rendered against them for commission of fraud or a criminal offense in connection with obtaining, attempting to obtain, or performing a public (Federal, State or local) transaction or contract under a public transaction; violation of Federal or State antitrust statutes or commission of embezzlement, theft, forgery, bribery, falsification or destruction of records, making false statements, or receiving stolen property, 2 CFR 180.800;

(3) Are not presently indicted for or otherwise criminally or civilly charged by a governmental entity (Federal, State or local) with commission of any of the offenses enumerated in paragraph (a)(2) of this certification, 2 CFR 180.700 and 180.800; and

(4) Have not within a three-year period preceding this application/proposal had one or more public transactions (Federal, State or local) terminated for cause or default. 2 CFR 180.335(d).

(5) Are not a corporation that has been convicted of a felony violation under any Federal law within the two-year period preceding this proposal (USDOT Order 4200.6 implementing appropriations act requirements); and

(6) Are not a corporation with any unpaid Federal tax liability that has been assessed, for which all judicial and administrative remedies have been exhausted, or have lapsed, and that is not being paid in a timely manner pursuant to an agreement with the authority responsible for collecting the tax liability (USDOT Order 4200.6 implementing appropriations act requirements).

b. Where the prospective participant is unable to certify to any of the statements in this certification, such prospective participant should attach an explanation to this proposal. 2 CFR 180.335 and 180.340.

3. Instructions for Certification - Lower Tier Participants:

(Applicable to all subcontracts, purchase orders and other lower tier transactions requiring prior FHWA approval or estimated to cost \$25,000 or more - 2 CFR Parts 180 and 1200), 2 CFR 180.220 and 1200.220.

a. By signing and submitting this proposal, the prospective lower tier participant is providing the certification set out below.

b. The certification in this clause is a material representation of fact upon which reliance was placed when this transaction was entered into. If it is later determined that the prospective lower tier participant knowingly rendered an erroneous certification, in addition to other remedies available to the Federal Government, the department, or agency with which this transaction originated may pursue available remedies, including suspension and/or debarment.

c. The prospective lower tier participant shall provide immediate written notice to the person to which this proposal is submitted if at any time the prospective lower tier participant learns that its certification was erroneous by reason of changed circumstances. 2 CFR 180.365.

d. The terms "covered transaction," "debarred," "suspended," "ineligible," "participant," "person," "principal," and "voluntarily excluded," as used in this clause, are defined in 2 CFR Parts 180, Subpart I, 180.900 – 180.1020, and 1200. You may contact the person to which this proposal is submitted for assistance in obtaining a copy of those regulations. "First Tier Covered Transactions" refers to any covered transaction between a recipient or subrecipient of Federal funds and a participant (such as the prime or general contract). "Lower Tier Covered Transactions" refers to any covered transaction under a First Tier Covered Transaction (such as subcontracts). "First Tier Participant" refers to the participant who has entered into a covered transaction with a recipient or subrecipient of Federal funds (such as the prime or general contractor). "Lower Tier Participant" refers any participant who has entered into a covered transaction with a First Tier Participant or other Lower Tier Participants (such as subcontractors and suppliers).

e. The prospective lower tier participant agrees by submitting this proposal that, should the proposed covered transaction be entered into, it shall not knowingly enter into any lower tier covered transaction with a person who is debarred, suspended, declared ineligible, or voluntarily excluded from participation in this covered transaction, unless authorized by the department or agency with which this transaction originated. 2 CFR 1200.220 and 1200.332.

f. The prospective lower tier participant further agrees by submitting this proposal that it will include this clause titled "Certification Regarding Debarment, Suspension, Ineligibility and Voluntary Exclusion-Lower Tier Covered Transaction," without modification, in all lower tier covered transactions and in all solicitations for lower tier covered transactions exceeding the \$25,000 threshold. 2 CFR 180.220 and 1200.220.

g. A participant in a covered transaction may rely upon a certification of a prospective participant in a lower tier covered transaction that is not debarred, suspended, ineligible, or voluntarily excluded from the covered transaction, unless it knows that the certification is erroneous. A participant is responsible for ensuring that its principals are not suspended, debarred, or otherwise ineligible to participate in covered transactions. To verify the eligibility of its principals, as well as the eligibility of any lower tier prospective participants, each participant may, but is not required to, check the System for Award Management website (<https://www.sam.gov/>), which is compiled by the General Services Administration. 2 CFR 180.300, 180.320, 180.330, and 180.335.

h. Nothing contained in the foregoing shall be construed to require establishment of a system of records in order to render in good faith the certification required by this clause. The knowledge and information of participant is not required to exceed that which is normally possessed by a prudent person in the ordinary course of business dealings.

i. Except for transactions authorized under paragraph e of these instructions, if a participant in a covered transaction knowingly enters into a lower tier covered transaction with a person who is suspended, debarred, ineligible, or voluntarily excluded from participation in this transaction, in addition to other remedies available to the Federal Government, the department or agency with which this transaction originated may pursue available remedies, including suspension and/or debarment. 2 CFR 180.325.

* * * * *

Certification Regarding Debarment, Suspension, Ineligibility and Voluntary Exclusion--Lower Tier Participants:

1. The prospective lower tier participant certifies, by submission of this proposal, that neither it nor its principals:

(a) is presently debarred, suspended, proposed for debarment, declared ineligible, or voluntarily excluded from participating in covered transactions by any Federal department or agency, 2 CFR 180.355;

(b) is a corporation that has been convicted of a felony violation under any Federal law within the two-year period preceding this proposal (USDOT Order 4200.6 implementing appropriations act requirements); and

(c) is a corporation with any unpaid Federal tax liability that has been assessed, for which all judicial and administrative remedies have been exhausted, or have lapsed, and that is not being paid in a timely manner pursuant to an agreement with the authority responsible for collecting the tax liability. (USDOT Order 4200.6 implementing appropriations act requirements)

2. Where the prospective lower tier participant is unable to certify to any of the statements in this certification, such prospective participant should attach an explanation to this proposal.

* * * * *

XI. CERTIFICATION REGARDING USE OF CONTRACT FUNDS FOR LOBBYING

This provision is applicable to all Federal-aid construction contracts and to all related subcontracts which exceed \$100,000. 49 CFR 20 Part 20, App. A.

1. The prospective participant certifies, by signing and submitting this bid or proposal, to the best of his or her knowledge and belief, that:

a. No Federal appropriated funds have been paid or will be paid, by or on behalf of the undersigned, to any person for influencing or attempting to influence an officer or employee of any Federal agency, a Member of Congress, an officer or employee of Congress, or an employee of a Member of Congress in connection with the awarding of any Federal contract, the making of any Federal grant, the making of any Federal loan, the entering into of any cooperative agreement, and the extension, continuation, renewal, amendment, or modification of any Federal contract, grant, loan, or cooperative agreement.

b. If any funds other than Federal appropriated funds have been paid or will be paid to any person for influencing or attempting to influence an officer or employee of any Federal agency, a Member of Congress, an officer or employee of Congress, or an employee of a Member of Congress in connection with this Federal contract, grant, loan, or cooperative agreement, the undersigned shall complete and submit Standard Form-LLL, "Disclosure Form to Report Lobbying," in accordance with its instructions.

2. This certification is a material representation of fact upon which reliance was placed when this transaction was made or entered into. Submission of this certification is a prerequisite for making or

entering into this transaction imposed by 31 U.S.C. 1352. Any person who fails to file the required certification shall be subject to a civil penalty of not less than \$10,000 and not more than \$100,000 for each such failure.

3. The prospective participant also agrees by submitting its bid or proposal that the participant shall require that the language of this certification be included in all lower tier subcontracts, which exceed \$100,000 and that all such recipients shall certify and disclose accordingly.

* * * * *

XII. USE OF UNITED STATES-FLAG VESSELS:

This provision is applicable to all Federal-aid construction contracts, design-build contracts, subcontracts, lower-tier subcontracts, purchase orders, lease agreements, or any other covered transaction. 46 CFR Part 381.

This requirement applies to material or equipment that is acquired for a specific Federal-aid highway project. 46 CFR 381.7. It is not applicable to goods or materials that come into inventories independent of an FHWA funded-contract.

When oceanic shipments (or shipments across the Great Lakes) are necessary for materials or equipment acquired for a specific Federal-aid construction project, the bidder, proposer, contractor, subcontractor, or vendor agrees:

1. To utilize privately owned United States-flag commercial vessels to ship at least 50 percent of the gross tonnage (computed separately for dry bulk carriers, dry cargo liners, and tankers) involved, whenever shipping any equipment, material, or commodities pursuant to this contract, to the extent such vessels are available at fair and reasonable rates for United States-flag commercial vessels. 46 CFR 381.7.

2. To furnish within 20 days following the date of loading for shipments originating within the United States or within 30 working days following the date of loading for shipments originating outside the United States, a legible copy of a rated, 'on-board' commercial ocean bill-of-lading in English for each shipment of cargo described in paragraph (b)(1) of this section to both the Contracting Officer (through the prime contractor in the case of subcontractor bills-of-lading) and to the Office of Cargo and Commercial Sealift (MAR-620), Maritime Administration, Washington, DC 20590. (MARAD requires copies of the ocean carrier's (master) bills of lading, certified onboard, dated, with rates and charges. These bills of lading may contain business sensitive information and therefore may be submitted directly to MARAD by the Ocean Transportation Intermediary on behalf of the contractor). 46 CFR 381.7.

Replace section 7-1.11C with:

FEMALE AND MINORITY GOALS (Required Federal Language)

To comply with Section II, "Nondiscrimination," of "Required Contract Provisions Federal-Aid Construction Contracts," the following female and minority utilization goals for Federal-aid construction contracts and subcontracts that exceed \$10,000.

The nationwide goal for female utilization is 6.9 percent.

The goals for minority utilization [45 Fed Reg 65984 (10/3/1980)] are as follows:

MINORITY UTILIZATION GOALS

	Economic Area	Goal (Percent)
174	Redding CA: Non-SMSA Counties: CA Lassen; CA Modoc; CA Plumas; CA Shasta; CA Siskiyou; CA Tehama	6.8
175	Eureka, CA Non-SMSA Counties: CA Del Norte; CA Humboldt; CA Trinity	6.6
176	San Francisco-Oakland-San Jose, CA: SMSA Counties: 7120 Salinas-Seaside-Monterey, CA CA Monterey 7360 San Francisco-Oakland CA Alameda; CA Contra Costa; CA Marin; CA San Francisco; CA San Mateo 7400 San Jose, CA CA Santa Clara, CA 7485 Santa Cruz, CA CA Santa Cruz 7500 Santa Rosa CA Sonoma 8720 Vallejo-Fairfield-Napa, CA CA Napa; CA Solano Non-SMSA Counties: CA Lake; CA Mendocino; CA San Benito	28.9 25.6 19.6 14.9 9.1 17.1 23.2
177	Sacramento, CA: SMSA Counties: 6920 Sacramento, CA CA Placer; CA Sacramento; CA Yolo Non-SMSA Counties CA Butte; CA Colusa; CA El Dorado; CA Glenn; CA Nevada; CA Sierra; CA Sutter; CA Yuba	16.1 14.3
178	Stockton-Modesto, CA: SMSA Counties: 5170 Modesto, CA CA Stanislaus 8120 Stockton, CA CA San Joaquin Non-SMSA Counties CA Alpine; CA Amador; CA Calaveras; CA Mariposa; CA Merced; CA Toulumne	12.3 24.3 19.8
179	Fresno-Bakersfield, CA SMSA Counties: 0680 Bakersfield, CA CA Kern	19.1

	2840 Fresno, CA CA Fresno Non-SMSA Counties: CA Kings; CA Madera; CA Tulare	26.1 23.6
180	Los Angeles, CA: SMSA Counties: 0360 Anaheim-Santa Ana-Garden Grove, CA CA Orange 4480 Los Angeles-Long Beach, CA CA Los Angeles 6000 Oxnard-Simi Valley-Ventura, CA CA Ventura 6780 Riverside-San Bernardino-Ontario, CA CA Riverside; CA San Bernardino 7480 Santa Barbara-Santa Maria-Lompoc, CA CA Santa Barbara Non-SMSA Counties CA Inyo; CA Mono; CA San Luis Obispo	11.9 28.3 21.5 19.0 19.7 24.6
181	San Diego, CA: SMSA Counties 7320 San Diego, CA CA San Diego Non-SMSA Counties CA Imperial	16.9 18.2

For the last full week of July during which work is performed under the contract, the prime contractor and each non material-supplier subcontractor with a subcontract of \$10,000 or more must complete Form FHWA PR-1391 (Appendix C to 23 CFR 230). Submit the forms by August 15.

Replace section 7-1.11D Training with:

FEDERAL TRAINEE PROGRAM (Required Federal Language)

For the Federal training program, the number of trainees or apprentices is **4 (four)**.

This section applies if a number of trainees or apprentices is specified in the special provisions.

As part of the prime contractor's equal opportunity affirmative action program, provide on-the-job training to develop full journeymen in the types of trades or job classifications involved.

The prime contractor has primary responsibility for meeting this training requirement.

If the prime contractor subcontracts a contract part, they shall determine how many trainees or apprentices are to be trained by the subcontractor. Include these training requirements in each subcontract.

Where feasible, 25 percent of apprentices or trainees in each occupation must be in their 1st year of apprenticeship or training.

Distribute the number of apprentices or trainees among the work classifications on the basis of the prime contractor's needs and the availability of journeymen in the various classifications within a reasonable recruitment area.

Before starting work, the prime contractor shall submit to the County of Humboldt:

1. Number of apprentices or trainees to be trained for each classification
2. Training program to be used
3. Training starting date for each classification

The prime contractor shall obtain the County of Humboldt approval for this submitted information before the prime contractor starts work. The County of Humboldt credits the prime contractor for each apprentice or trainee the prime contractor employs on the job who is currently enrolled or becomes enrolled in an approved program.

The primary objective of this section is to train and upgrade minorities and women toward journeyman status. The prime contractor shall make every effort to enroll minority and women apprentices or trainees, such as conducting systematic and direct recruitment through public and private sources likely to yield minority and women apprentices or trainees, to the extent they are available within a reasonable recruitment area and show that they have made the efforts. In making these efforts, the prime contractor shall not discriminate against any applicant for training.

The prime contractor shall not employ as an apprentice or trainee an employee:

1. In any classification in which the employee has successfully completed a training course leading to journeyman status or in which the employee has been employed as a journeyman
2. Who is not registered in a program approved by the US Department of Labor, Bureau of Apprenticeship and Training

The prime contractor shall ask the employee if the employee has successfully completed a training course leading to journeyman status or has been employed as a journeyman. The prime contractor's records must show the employee's answers to the questions.

In the training program, the prime contractor shall establish the minimum length and training type for each classification. The County of Humboldt and FHWA approves a program if one of the following is met:

1. It is calculated to:
 - Meet the your equal employment opportunity responsibilities
 - Qualify the average apprentice or trainee for journeyman status in the classification involved by the end of the training period
2. It is registered with the U.S. Department of Labor, Bureau of Apprenticeship and Training, and it is administered in a way consistent with the equal employment responsibilities of Federal-aid highway construction contracts

The prime contractor shall obtain the State's approval for their training program before they start work involving the classification covered by the program.

The prime contractor shall provide training in the construction crafts, not in clerk-typist or secretarial-type positions. Training is allowed in lower level management positions such as office engineers, estimators,

"General Decision Number: CA20230004 01/13/2023

Superseded General Decision Number: CA20220004

State: California

Construction Types: Heavy (Heavy and Dredging) and Highway

Counties: Del Norte, Humboldt, Lake and Mendocino Counties in California.

DREDGING PROJECTS (does not include hopper dredge work); HEAVY CONSTRUCTION PROJECTS (does not include water well drilling); AND HIGHWAY CONSTRUCTION PROJECTS

Note: Contracts subject to the Davis-Bacon Act are generally required to pay at least the applicable minimum wage rate required under Executive Order 14026 or Executive Order 13658. Please note that these Executive Orders apply to covered contracts entered into by the federal government that are subject to the Davis-Bacon Act itself, but do not apply to contracts subject only to the Davis-Bacon Related Acts, including those set forth at 29 CFR 5.1(a)(2)-(60).

<p>If the contract is entered into on or after January 30, 2022, or the contract is renewed or extended (e.g., an option is exercised) on or after January 30, 2022:</p>	<p>. Executive Order 14026 generally applies to the contract. . The contractor must pay all covered workers at least \$16.20 per hour (or the applicable wage rate listed on this wage determination, if it is higher) for all hours spent performing on the contract in 2023.</p>
<p>If the contract was awarded on or between January 1, 2015 and January 29, 2022, and the contract is not renewed or extended on or after January 30, 2022:</p>	<p>. Executive Order 13658 generally applies to the contract. . The contractor must pay all covered workers at least \$12.15 per hour (or the applicable wage rate listed on this wage determination, if it is higher) for all hours spent performing on that contract in 2023.</p>

The applicable Executive Order minimum wage rate will be adjusted annually. If this contract is covered by one of the Executive Orders and a classification considered necessary for performance of work on the contract does not appear on this wage determination, the contractor must still submit a conformance request.

Additional information on contractor requirements and worker protections under the Executive Orders is available at <http://www.dol.gov/whd/govcontracts>.

Modification Number	Publication Date
0	01/06/2023
1	01/13/2023

ASBE0016-005 08/01/2022

Rates Fringes

	Rates	Fringes
Asbestos Workers/Insulator (Includes the application of all insulating materials, Protective Coverings, Coatings, and Finishes to all types of mechanical systems)		
(1) Mendocino County.....	\$ 62.51	23.57
(2) Del Norte, Humboldt, Lake Counties.....	\$ 62.51	23.57

ASBE0016-006 01/01/2021

Rates Fringes

Asbestos Removal worker/hazardous material handler (Includes preparation, wetting, stripping, removal,

scrapping, vacuuming, bagging and disposing of all insulation materials from mechanical systems, whether they contain asbestos or not)....\$ 30.45 10.60

BRCA0003-001 08/01/2022

	Rates	Fringes
MARBLE FINISHER.....	\$ 39.20	18.31

BRCA0003-003 08/01/2022

	Rates	Fringes
MARBLE MASON.....	\$ 56.98	28.54

BRCA0003-006 05/01/2022

	Rates	Fringes
BRICKLAYER.....	\$ 53.69	26.03

SPECIALTY PAY:

- (A) Underground work such as tunnel work, sewer work, manholes, catch basins, sewer pipes and telephone conduit shall be paid \$1.25 per hour above the regular rate. Work in direct contact with raw sewage shall receive \$1.25 per hour in addition to the above.
- (B) Operating a saw or grinder shall receive \$1.25 per hour above the regular rate.
- (C) Gunite nozzle person shall receive \$1.25 per hour above the regular rate.

BRCA0003-008 07/01/2022

	Rates	Fringes
TERRAZZO FINISHER.....	\$ 41.93	18.98
TERRAZZO WORKER/SETTER.....	\$ 56.84	27.53

BRCA0003-013 04/01/2022

	Rates	Fringes
TILE FINISHER		
Del Norte & Humboldt Counties.....	\$ 33.86	17.74
Lake & Mendocino Counties...	\$ 31.89	17.18
TILE LAYER		
Del Norte & Humboldt Counties.....	\$ 55.41	20.87
Lake & Mendocino Counties...	\$ 52.28	20.79

CARP0034-001 07/01/2021

	Rates	Fringes
Diver		
Assistant Tender, ROV Tender/Technician.....	\$ 54.10	34.69
Diver standby.....	\$ 60.51	34.69
Diver Tender.....	\$ 59.51	34.69
Diver wet.....	\$ 103.62	34.69
Manifold Operator (mixed gas).....	\$ 64.51	34.69
Manifold Operator (Standby).....	\$ 59.51	34.69

DEPTH PAY (Surface Diving):
 050 to 100 ft \$2.00 per foot
 101 to 150 ft \$3.00 per foot
 151 to 220 ft \$4.00 per foot
 221 ft.-deeper \$5.00 per foot

SATURATION DIVING:
 The standby rate shall apply until saturation starts. The saturation diving rate applies when divers are under pressure continuously until work task and decompression are complete. The diver rate shall be paid for all saturation hours.

DIVING IN ENCLOSURES:
 Where it is necessary for Divers to enter pipes or tunnels, or other enclosures where there is no vertical ascent, the following premium shall be paid: Distance traveled from entrance 26 feet to 300 feet: \$1.00 per foot. When it is necessary for a diver to enter any pipe, tunnel or other enclosure less than 48" in height, the premium will be \$1.00 per foot.

WORK IN COMBINATION OF CLASSIFICATIONS:

Employees working in any combination of classifications within the diving crew (except dive supervisor) in a shift are paid in the classification with the highest rate for that shift.

CARP0034-003 07/01/2021

	Rates	Fringes
Piledriver.....	\$ 54.10	34.69

CARP0751-002 07/01/2021

Del Norte, Humboldt, Lake and Mendocino Counties

	Rates	Fringes
Carpenters		
Bridge Builder/Highway		
Carpenter.....	\$ 54.85	31.49
Hardwood Floorlayer, Shingler, Power Saw Operator, Steel Scaffold & Steel Shoring Erector, Saw Filer.....	\$ 47.77	31.49
Journeyman Carpenter.....	\$ 47.62	31.49
Millwright.....	\$ 50.12	33.08

ELEC0551-001 06/01/2022

LAKE AND MENDOCINO COUNTIES

	Rates	Fringes
ELECTRICIAN.....	\$ 55.60	28.06

TUNNEL WORK: Add \$0.50 per hour.

ELEC0551-002 06/01/2022

DEL NORTE AND HUMBOLDT COUNTIES

	Rates	Fringes
Electricians:.....	\$ 55.60	28.06

TUNNEL WORK: Add \$0.50 per hour.

ELEC1245-002 06/01/2022

HUMBOLDT, LAKE AND MENDOCINO COUNTIES

	Rates	Fringes
LINE CONSTRUCTION		
(1) Lineman; Cable splicer..	\$ 64.40	22.58
(2) Equipment specialist (operates crawler tractors, commercial motor vehicles, backhoes, trenchers, cranes (50 tons and below), overhead & underground distribution line equipment).....	\$ 50.00	21.30
(3) Groundman.....	\$ 38.23	20.89
(4) Powderman.....	\$ 51.87	18.79

HOLIDAYS: New Year's Day, M.L. King Day, Memorial Day, Independence Day, Labor Day, Veterans Day, Thanksgiving Day and day after Thanksgiving, Christmas Day

ENGI0003-014 06/29/2020

""AREA 1"" WAGE RATES ARE LISTED BELOW

""AREA 2"" RECEIVES AN ADDITIONAL \$2.00 PER HOUR ABOVE AREA 1 RATES.

SEE AREA DEFINITIONS BELOW

	Rates	Fringes
OPERATOR: Power Equipment (AREA 1:)		
GROUP 1.....	\$ 51.42	31.15
GROUP 2.....	\$ 49.89	31.15
GROUP 3.....	\$ 48.41	31.15
GROUP 4.....	\$ 47.03	31.15
GROUP 5.....	\$ 45.76	31.15
GROUP 6.....	\$ 44.44	31.15

GROUP 7.....	\$ 43.30	31.15
GROUP 8.....	\$ 42.16	31.15
GROUP 8-A.....	\$ 39.95	31.15
OPERATOR: Power Equipment (Cranes and Attachments - AREA 1:)		
GROUP 1		
Cranes.....	\$ 52.30	31.15
Oiler.....	\$ 43.79	31.15
Truck crane oiler.....	\$ 46.08	31.15
GROUP 2		
Cranes.....	\$ 50.54	31.15
Oiler.....	\$ 42.83	31.15
Truck crane oiler.....	\$ 45.07	31.15
GROUP 3		
Cranes.....	\$ 48.80	31.15
Hydraulic.....	\$ 44.44	31.15
Oiler.....	\$ 42.55	31.15
Truck crane oiler.....	\$ 44.83	31.15
GROUP 4		
Cranes.....	\$ 45.76	31.15
OPERATOR: Power Equipment (Piledriving - AREA 1:)		
GROUP 1		
Lifting devices.....	\$ 52.64	31.15
Oiler.....	\$ 43.38	31.15
Truck Crane Oiler.....	\$ 45.66	31.15
GROUP 2		
Lifting devices.....	\$ 50.82	31.15
Oiler.....	\$ 43.11	31.15
Truck Crane Oiler.....	\$ 45.41	31.15
GROUP 3		
Lifting devices.....	\$ 49.14	31.15
Oiler.....	\$ 42.89	31.15
Truck Crane Oiler.....	\$ 45.12	31.15
GROUP 4		
Lifting devices.....	\$ 47.37	31.15
GROUP 5		
Lifting devices.....	\$ 44.73	31.15
GROUP 6		
Lifting devices.....	\$ 42.50	31.15
OPERATOR: Power Equipment (Steel Erection - AREA 1:)		
GROUP 1		
Cranes.....	\$ 53.27	31.15
Oiler.....	\$ 43.72	31.15
Truck Crane Oiler.....	\$ 45.95	31.15
GROUP 2		
Cranes.....	\$ 51.50	31.15
Oiler.....	\$ 43.45	31.15
Truck Crane Oiler.....	\$ 45.73	31.15
GROUP 3		
Cranes.....	\$ 50.02	31.15
Hydraulic.....	\$ 45.07	31.15
Oiler.....	\$ 43.23	31.15
Truck Crane Oiler.....	\$ 45.46	31.15
GROUP 4		
Cranes.....	\$ 48.00	31.15
GROUP 5		
Cranes.....	\$ 46.70	31.15
OPERATOR: Power Equipment (Tunnel and Underground Work - AREA 1:)		
SHAFTS, STOPES, RAISES:		
GROUP 1.....	\$ 47.52	31.15
GROUP 1-A.....	\$ 49.99	31.15
GROUP 2.....	\$ 46.26	31.15
GROUP 3.....	\$ 44.93	31.15
GROUP 4.....	\$ 43.79	31.15
GROUP 5.....	\$ 42.65	31.15
UNDERGROUND:		
GROUP 1.....	\$ 47.42	31.15
GROUP 1-A.....	\$ 49.89	31.15
GROUP 2.....	\$ 46.16	31.15
GROUP 3.....	\$ 44.83	31.15
GROUP 4.....	\$ 43.69	31.15
GROUP 5.....	\$ 42.55	31.15

FOOTNOTE: Work suspended by ropes or cables, or work on a Yo-Yo Cat: \$.60 per hour additional.

POWER EQUIPMENT OPERATOR CLASSIFICATIONS

GROUP 1: Operator of helicopter (when used in erection work); Hydraulic excavator, 7 cu. yds. and over; Power shovels, over 7 cu. yds.

GROUP 2: Highline cableway; Hydraulic excavator, 3-1/2 cu. yds. up to 7 cu. yds.; Licensed construction work boat operator, on site; Power blade operator (finish); Power shovels, over 1 cu. yd. up to and including 7 cu. yds. m.r.c.

GROUP 3: Asphalt milling machine; Cable backhoe; Combination backhoe and loader over 3/4 cu. yds.; Continuous flight tie back machine assistant to engineer or mechanic; Crane mounted continuous flight tie back machine, tonnage to apply; Crane mounted drill attachment, tonnage to apply; Dozer, slope brd; Gradall; Hydraulic excavator, up to 3 1/2 cu. yds.; Loader 4 cu. yds. and over; Long reach excavator; Multiple engine scraper (when used as push pull); Power shovels, up to and including 1 cu. yd.; Pre-stress wire wrapping machine; Side boom cat, 572 or larger; Track loader 4 cu. yds. and over; Wheel excavator (up to and including 750 cu. yds. per hour)

GROUP 4: Asphalt plant engineer/box person; Chicago boom; Combination backhoe and loader up to and including 3/4 cu. yd.; Concrete batch plant (wet or dry); Dozer and/or push cat; Pull- type elevating loader; Gradesetter, grade checker (GPS, mechanical or otherwise); Grooving and grinding machine; Heading shield operator; Heavy-duty drilling equipment, Hughes, LDH, Watson 3000 or similar; Heavy-duty repairperson and/or welder; Lime spreader; Loader under 4 cu. yds.; Lubrication and service engineer (mobile and grease rack); Mechanical finishers or spreader machine (asphalt, Barber-Greene and similar); Miller Formless M-9000 slope paver or similar; Portable crushing and screening plants; Power blade support; Roller operator, asphalt; Rubber-tired scraper, self-loading (paddle-wheels, etc.); Rubber- tired earthmoving equipment (scrappers); Slip form paver (concrete); Small tractor with drag; Soil stabilizer (P & H or equal); Spider plow and spider puller; Tubex pile rig; Unlicensed construction work boat operator, on site; Timber skidder; Track loader up to 4 yds.; Tractor-drawn scraper; Tractor, compressor drill combination; Welder; Woods-Mixer (and other similar Pugmill equipment)

GROUP 5: Cast-in-place pipe laying machine; Combination slusher and motor operator; Concrete conveyor or concrete pump, truck or equipment mounted; Concrete conveyor, building site; Concrete pump or pumpcrete gun; Drilling equipment, Watson 2000, Texoma 700 or similar; Drilling and boring machinery, horizontal (not to apply to waterliners, wagon drills or jackhammers); Concrete mixer/all; Person and/or material hoist; Mechanical finishers (concrete) (Clary, Johnson, Bidwell Bridge Deck or similar types); Mechanical burm, curb and/or curb and gutter machine, concrete or asphalt; Mine or shaft hoist; Portable crusher; Power jumbo operator (setting slip-forms, etc., in tunnels); Screed (automatic or manual); Self-propelled compactor with dozer; Tractor with boom D6 or smaller; Trenching machine, maximum digging capacity over 5 ft. depth; Vermeer T-600B rock cutter or similar

GROUP 6: Armor-Coater (or similar); Ballast jack tamper; Boom- type backfilling machine; Assistant plant engineer; Bridge and/or gantry crane; Chemical grouting machine, truck-mounted; Chip spreading machine operator; Concrete saw (self-propelled unit on streets, highways, airports and canals); Deck engineer; Drilling equipment Texoma 600, Hughes 200 Series or similar up to and including 30 ft. m.r.c.; Drill doctor; Helicopter radio operator; Hydro-hammer or similar; Line master; Skidsteer loader, Bobcat larger than 743 series or similar (with attachments); Locomotive; Lull hi-lift or similar; Oiler, truck mounted equipment; Pavement breaker, truck-mounted, with compressor combination; Paving fabric installation and/or laying machine; Pipe bending machine (pipelines only); Pipe wrapping machine (tractor propelled and supported); Screed (except asphaltic concrete paving); Self- propelled pipeline wrapping machine; Tractor; Self-loading chipper; Concrete barrier moving machine

GROUP 7: Ballast regulator; Boom truck or dual-purpose A-frame truck, non-rotating - under 15 tons; Cary lift or similar; Combination slurry mixer and/or cleaner; Drilling equipment, 20 ft. and under m.r.c.; Firetender (hot plant); Grouting machine operator; Highline cableway signalperson; Stationary belt loader (Kolman or similar); Lift slab machine (Vagtborg and similar types); Maginnes internal full slab vibrator; Material hoist (1 drum); Mechanical trench shield; Pavement breaker with or without compressor combination; Pipe cleaning machine (tractor propelled and supported); Post driver; Roller (except asphalt); Chip Seal; Self-propelled automatically applied concrete curing machine (on streets, highways, airports and canals); Self-propelled compactor (without dozer); Signalperson; Slip-form pumps (lifting device for concrete forms); Tie spacer; Tower mobile; Trenching machine, maximum digging capacity up to and including 5 ft. depth; Truck- type loader

GROUP 8: Bit sharpener; Boiler tender; Box operator; Brakeperson; Combination mixer and compressor

(shotcrete/gunite); Compressor operator; Deckhand; Fire tender; Forklift (under 20 ft.); Generator; Gunite/shotcrete equipment operator; Hydraulic monitor; Ken seal machine (or similar); Mixermobile; Oiler; Pump operator; Refrigeration plant; Reservoir-debris tug (self-propelled floating); Ross Carrier (construction site); Rotomist operator; Self-propelled tape machine; Shuttlecar; Self-propelled power sweeper operator (includes vacuum sweeper); Slusher operator; Surface heater; Switchperson; Tar pot firetender; Tugger hoist, single drum; Vacuum cooling plant; Welding machine (powered other than by electricity)

GROUP 8-A: Elevator operator; Skidsteer loader-Bobcat 743 series or smaller, and similar (without attachments); Mini excavator under 25 H.P. (backhoe-trencher); Tub grinder wood chipper

 ALL CRANES AND ATTACHMENTS

GROUP 1: Clamshell and dragline over 7 cu. yds.; Crane, over 100 tons; Derrick, over 100 tons; Derrick barge pedestal-mounted, over 100 tons; Self-propelled boom-type lifting device, over 100 tons

GROUP 2: Clamshell and dragline over 1 cu. yd. up to and including 7 cu. yds.; Crane, over 45 tons up to and including 100 tons; Derrick barge, 100 tons and under; Self-propelled boom-type lifting device, over 45 tons; Tower crane

GROUP 3: Clamshell and dragline up to and including 1 cu. yd.; Cranes 45 tons and under; Self-propelled boom-type lifting device 45 tons and under;

GROUP 4: Boom Truck or dual purpose A-frame truck, non-rotating over 15 tons; Truck-mounted rotating telescopic boom type lifting device, Manitex or similar (boom truck) over 15 tons; Truck-mounted rotating telescopic boom type lifting device, Manitex or similar (boom truck) - under 15 tons;

 PILEDRIVERS

GROUP 1: Derrick barge pedestal mounted over 100 tons; Clamshell over 7 cu. yds.; Self-propelled boom-type lifting device over 100 tons; Truck crane or crawler, land or barge mounted over 100 tons

GROUP 2: Derrick barge pedestal mounted 45 tons to and including 100 tons; Clamshell up to and including 7 cu. yds.; Self-propelled boom-type lifting device over 45 tons; Truck crane or crawler, land or barge mounted, over 45 tons up to and including 100 tons; Fundex F-12 hydraulic pile rig

GROUP 3: Derrick barge pedestal mounted under 45 tons; Self-propelled boom-type lifting device 45 tons and under; Skid/scow piledriver, any tonnage; Truck crane or crawler, land or barge mounted 45 tons and under

GROUP 4: Assistant operator in lieu of assistant to engineer; Forklift, 10 tons and over; Heavy-duty repairperson/welder

GROUP 5: Deck engineer

GROUP 6: Deckhand; Fire tender

 STEEL ERECTORS

GROUP 1: Crane over 100 tons; Derrick over 100 tons; Self-propelled boom-type lifting device over 100 tons

GROUP 2: Crane over 45 tons to 100 tons; Derrick under 100 tons; Self-propelled boom-type lifting device over 45 tons to 100 tons; Tower crane

GROUP 3: Crane, 45 tons and under; Self-propelled boom-type lifting device, 45 tons and under

GROUP 4: Chicago boom; Forklift, 10 tons and over; Heavy-duty repair person/welder

GROUP 5: Boom cat

 --

TUNNEL AND UNDERGROUND WORK

GROUP 1-A: Tunnel bore machine operator, 20' diameter or more

GROUP 1: Heading shield operator; Heavy-duty repairperson; Mucking machine (rubber tired, rail or track type); Raised bore operator (tunnels); Tunnel mole bore operator

GROUP 2: Combination slusher and motor operator; Concrete pump or pumpcrete gun; Power jumbo operator

GROUP 3: Drill doctor; Mine or shaft hoist

GROUP 4: Combination slurry mixer cleaner; Grouting Machine operator; Motorman

GROUP 5: Bit Sharpener; Brakeman; Combination mixer and compressor (gunite); Compressor operator; Oiler; Pump operator; Slusher operator

AREA DESCRIPTIONS:

POWER EQUIPMENT OPERATORS, CRANES AND ATTACHMENTS, TUNNEL AND UNDERGROUND [These areas do not apply to Piledrivers and Steel Erectors]

AREA 1: DEL NORTE, HUMBOLDT, LAKE, MENDOCINO
AREA 2 -NOTED BELOW

THE REMAINING COUNTIES ARE SPLIT BETWEEN AREA 1 AND AREA 2 AS NOTED BELOW:

DEL NORTE COUNTY:

Area 1: Extreme Southwest corner
Area 2: Remainder

HUMBOLDT COUNTY:

Area 1: Except Eastern and Southwestern parts
Area 2: Remainder

LAKE COUNTY:

Area 1: Southern part
Area 2: Remainder

MENDOCINO COUNTY:

Area 1: Central and Southeastern Parts
Area 2: Remainder

ENGI0003-019 06/29/2020

SEE AREA DESCRIPTIONS BELOW

	Rates	Fringes
OPERATOR: Power Equipment (LANDSCAPE WORK ONLY)		
GROUP 1		
AREA 1.....	\$ 39.95	30.28
AREA 2.....	\$ 41.95	30.28
GROUP 2		
AREA 1.....	\$ 36.35	30.28
AREA 2.....	\$ 38.35	30.28
GROUP 3		
AREA 1.....	\$ 31.74	30.28
AREA 2.....	\$ 33.74	30.28

GROUP DESCRIPTIONS:

GROUP 1: Landscape Finish Grade Operator: All finish grade work regardless of equipment used, and all equipment with a rating more than 65 HP.

GROUP 2: Landscape Operator up to 65 HP: All equipment with a manufacturer's rating of 65 HP or less except equipment covered by Group 1 or Group 3. The following equipment shall be included except when used for finish work as long as manufacturer's rating is 65 HP or less: A-Frame and Winch Truck, Backhoe, Forklift, Hydragraphic Seeder Machine, Roller, Rubber-Tired and Track Earthmoving Equipment, Skiploader, Straw Blowers, and Trencher 31 HP up to 65 HP.

GROUP 3: Landscae Utility Operator: Small Rubber-Tired Tractor, Trencher Under 31 HP.

AREA DESCRIPTIONS:

AREA 1: ALAMEDA, BUTTE, CONTRA COSTA, KINGS, MARIN, MERCED, NAPA, SACRAMENTO, SAN BENITO, SAN FRANCISCO, SAN JOAQUIN, SAN MATEO, SANTA CLARA, SANTA CRUZ, SOLANO, STANISLAUS,

SUTTER, YOLO, AND YUBA COUNTIES

AREA 2 - MODOC COUNTY

THE REMAINING COUNTIES ARE SPLIT BETWEEN AREA 1 AND AREA 2 AS NOTED BELOW:

ALPINE COUNTY:

Area 1: Northernmost part
Area 2: Remainder

CALAVERAS COUNTY:

Area 1: Except Eastern part
Area 2: Eastern part

COLUSA COUNTY:

Area 1: Eastern part
Area 2: Remainder

DEL NORTE COUNTY:

Area 1: Extreme Southwestern corner
Area 2: Remainder

ELDORADO COUNTY:

Area 1: North Central part
Area 2: Remainder

FRESNO COUNTY

Area 1: Except Eastern part
Area 2: Eastern part

GLENN COUNTY:

Area 1: Eastern part
Area 2: Remainder

HUMBOLDT COUNTY:

Area 1: Except Eastern and Southwestern parts
Area 2: Remainder

LAKE COUNTY:

Area 1: Southern part
Area 2: Remainder

LASSEN COUNTY:

Area 1: Western part along the Southern portion of border with Shasta County
Area 2: Remainder

MADERA COUNTY

Area 1: Remainder
Area 2: Eastern part

MARIPOSA COUNTY

Area 1: Remainder
Area 2: Eastern part

MENDOCINO COUNTY:

Area 1: Central and Southeastern parts
Area 2: Remainder

MONTEREY COUNTY

Area 1: Remainder
Area 2: Southwestern part

NEVADA COUNTY:

Area 1: All but the Northern portion along the border of Sierra County
Area 2: Remainder

PLACER COUNTY:

Area 1: All but the Central portion
Area 2: Remainder

PLUMAS COUNTY:

Area 1: Western portion
Area 2: Remainder

SHASTA COUNTY:

Area 1: All but the Northeastern corner
Area 2: Remainder

SIERRA COUNTY:

Area 1: Western part
Area 2: Remainder

SISKIYOU COUNTY:

Area 1: Central part
Area 2: Remainder

SONOMA COUNTY:

Area 1: All but the Northwestern corner
Area 2: Remainder

TEHAMA COUNTY:

Area 1: All but the Western border with Mendocino & Trinity Counties

Area 2: Remainder

TRINITY COUNTY:

Area 1: East Central part and the Northeast border with Shasta County

Area 2: Remainder

TULARE COUNTY:

Area 1: Remainder

Area 2: Eastern part

TUOLUMNE COUNTY:

Area 1: Remainder

Area 2: Eastern Part

* IRON0377-004 01/01/2023

DEL NORTE COUNTY

	Rates	Fringes
Ironworkers:		
Fence Erector.....	\$ 41.28	25.66
Ornamental, Reinforcing and Structural.....	\$ 41.00	33.70

PREMIUM PAY:

\$6.00 additional per hour at the following locations:

China Lake Naval Test Station, Chocolate Mountains Naval Reserve-Niland, Edwards AFB, Fort Irwin Military Station, Fort Irwin Training Center-Goldstone, San Clemente Island, San Nicholas Island, Susanville Federal Prison, 29 Palms - Marine Corps, U.S. Marine Base - Barstow, U.S. Naval Air Facility - Sealey, Vandenberg AFB

\$4.00 additional per hour at the following locations:

Army Defense Language Institute - Monterey, Fallon Air Base, Naval Post Graduate School - Monterey, Yermo Marine Corps Logistics Center

\$2.00 additional per hour at the following locations:

Port Hueneme, Port Mugu, U.S. Coast Guard Station - Two Rock

* IRON0377-005 01/01/2023

HUMBOLDT, LAKE and MENDOCINO COUNTIES

	Rates	Fringes
Ironworkers:		
Fence Erector.....	\$ 41.28	25.66
Ornamental, Reinforcing and Structural.....	\$ 46.20	34.30

PREMIUM PAY:

\$6.00 additional per hour at the following locations:

China Lake Naval Test Station, Chocolate Mountains Naval Reserve-Niland, Edwards AFB, Fort Irwin Military Station, Fort Irwin Training Center-Goldstone, San Clemente Island, San Nicholas Island, Susanville Federal Prison, 29 Palms - Marine Corps, U.S. Marine Base - Barstow, U.S. Naval Air Facility - Sealey, Vandenberg AFB

\$4.00 additional per hour at the following locations:

Army Defense Language Institute - Monterey, Fallon Air Base, Naval Post Graduate School - Monterey, Yermo Marine Corps Logistics Center

\$2.00 additional per hour at the following locations:

Port Hueneme, Port Mugu, U.S. Coast Guard Station - Two Rock

LAB00067-002 06/27/2022

AREA ""A"" - ALAMEDA, CONTRA COSTA, SAN FRANCISCO, SAN MATEO AND SANTA CLARA COUNTIES

AREA ""B"" - CALAVERAS, FRESNO, KINGS, MADERA, MARIPOSA,

MERCED, MONTEREY, SAN BENITO, SAN JOAQUIN, STANISLAUS, AND TUOLUMNE COUNTIES

	Rates	Fringes
Asbestos Removal Laborer		
All Counties.....	\$ 27.05	13.50
LABORER (Lead Removal)		
Area A.....	\$ 35.37	26.95
Area B.....	\$ 34.37	26.95

ASBESTOS REMOVAL-SCOPE OF WORK: Site mobilization; initial site clean-up; site preparation; removal of asbestos-containing materials from walls and ceilings; or from pipes, boilers and mechanical systems only if they are being scrapped; encapsulation, enclosure and disposal of asbestos-containing materials by hand or with equipment or machinery; scaffolding; fabrication of temporary wooden barriers; and assembly of decontamination stations.

LAB00261-006 07/01/2022

MARIN COUNTY

	Rates	Fringes
LABORER		
Mason Tender-Brick.....	\$ 36.54	25.21

FOOTNOTE: Refractory work where heat-protective clothing is required: \$2.00 per hour additional.

LAB00324-003 06/28/2021

DEL NORTE, HUMBOLDT, LAKE, AND MENDOCINO COUNTIES

	Rates	Fringes
LABORER (TRAFFIC CONTROL/LANE CLOSURE)		
Escort Driver, Flag Person..	\$ 33.48	26.21
Traffic Control Person I....	\$ 33.78	26.21
Traffic Control Person II...	\$ 31.28	26.21

TRAFFIC CONTROL PERSON I: Layout of traffic control, crash cushions, construction area and roadside signage.

TRAFFIC CONTROL PERSON II: Installation and removal of temporary/permanent signs, markers, delineators and crash cushions.

LAB00324-005 06/25/2018

	Rates	Fringes
Laborers: (CONSTRUCTION CRAFT LABORERS)		
Construction Specialist		
Group.....	\$ 30.49	23.20
GROUP 1.....	\$ 29.79	23.20
GROUP 1-a.....	\$ 30.01	23.20
GROUP 1-c.....	\$ 29.84	23.20
GROUP 1-e.....	\$ 30.34	23.20
GROUP 1-f.....	\$ 29.37	23.20
GROUP 2.....	\$ 29.64	23.20
GROUP 3.....	\$ 29.54	23.20
GROUP 4.....	\$ 23.23	23.20
See groups 1-b and 1-d under laborer classifications		
Laborers: (GUNITE)		
GROUP 1.....	\$ 28.35	18.66
GROUP 2.....	\$ 27.85	18.66
GROUP 3.....	\$ 27.26	18.66
GROUP 4.....	\$ 27.14	18.66
Laborers: (WRECKING)		
GROUP 1.....	\$ 29.79	23.20
GROUP 2.....	\$ 29.64	23.20
Landscape Laborer (Gardeners, Horticultural & Landscape Laborers)		
Establishment Warranty		
Period.....	\$ 23.23	23.20
New Construction.....	\$ 29.54	23.20

FOOTNOTES:
Laborers working off or with or from bos'n chairs, swinging scaffolds, belts (not applicable to workers entitled to receive the wage rate set forth in Group 1-a): \$0.25 per hour additional.

LABORER CLASSIFICATIONS

CONSTRUCTION SPECIALIST GROUP: Asphalt ironer and raker; Chainsaw; Laser beam in connection with laborers' work; Masonry and plasterer tender; Cast-in-place manhole form setter; Pressure pipelayer; Davis trencher - 300 or similar type (and all small trenchers); Blaster; Diamond driller; Multiple unit drill; Hydraulic drill

GROUP 1: Asphalt spreader boxes (all types); Barko, Wacker and similar type tampers; Buggymobile; Caulker, bander, pipewrapper, conduit layer, plastic pipelayer; Certified hazardous waste worker; Compactors of all types; Concrete and magnesite mixer, 1/2 yd. and under; Concrete pan work; Concrete sander; Concrete saw; Cribber and/or shoring; Cut granite curb setter; Dri-pak-it machine; Faller, logloader and bucket; Form raiser, slip forms; Green cutter; Headerboard, Hubsetter, aligner, by any method; High pressure blow pipe (1-1/2" or over, 100 lbs. pressure/over); Hydro seeder and similar type; Jackhammer operator; Jacking of pipe over 12 inches; Jackson and similar type compactor; Kettle tender, pot and worker applying asphalt, lay-kold, creosote, lime, caustic and similar type materials (applying means applying, dipping or handling of such materials); Lagging, sheeting, whaling, bracing, trenchjacking, lagging hammer; Magnesite, epoxyresin, fiberglass, mastic worker (wet or dry); No joint pipe and stripping of same, including repair of voids; Pavement breaker and spader, including tool grinder; Perma curb; Pipelayer (including grade checking in connection with pipelaying); Precast-manhole setter; Pressure pipe tester; Post hole digger, air, gas and electric; Power broom sweeper; Power tampers of all types (except as shown in Group 2); Ram set gun and stud gun; Riprap stonepaver and rock-slinger, including placing of sacked concrete and/or sand (wet or dry) and gabions and similar type; Rotary scarifier or multiple head concrete chipping scarifier; Roto and Ditch Witch; Rototiller; Sandblaster, pot, gun, nozzle operators; Signalling and rigging; Tank cleaner; Tree climber; Turbo blaster; Vibrascreeed, bull float in connection with laborers' work; Vibrator

GROUP 1-a: Joy drill model TWM-2A; Gardner-Denver model DH143 and similar type drills; Track driller; Jack leg driller; Wagon driller; Mechanical drillers, all types regardless of type or method of power; Mechanical pipe layers, all types regardless of type or method of power; Blaster and powder; All work of loading, placing and blasting of all powder and explosives of whatever type regardless of method used for such loading and placing; High scalers (including drilling of same); Tree topper; Bit grinder

GROUP 1-b: Sewer cleaners shall receive \$4.00 per day above Group 1 wage rates. "Sewer cleaner" means any worker who handles or comes in contact with raw sewage in small diameter sewers. Those who work inside recently active, large diameter sewers, and all recently active sewer manholes, shall receive \$5.00 per day above Group 1 wage rates.

GROUP 1-c: Burning and welding in connection with laborers' work; Synthetic thermoplastics and similar type welding

GROUP 1-d: Maintenance and repair track and road beds (underground structures). All employees performing work covered herein shall receive \$.25 per hour above their regular rate for all work performed on underground structures not specifically covered herein. This paragraph shall not be construed to apply to work below ground level in open cut. It shall apply to cut and cover work of subway construction after the temporary cover has been placed.

GROUP 1-e: Work on and/or in bell hole footings and shafts thereof, and work on and in deep footings. (A deep footing is a hole 15 feet or more in depth.) In the event the depth of the footing is unknown at the commencement of excavation, and the final depth exceeds 15 feet, the deep footing wage rate would apply to all employees for each and every day worked on or in the excavation of the footing from the date of inception.

GROUP 1-f: Wire winding machine in connection with guniting or shot crete

GROUP 2: Asphalt shoveler; Cement dumper and handling dry cement or gypsum; Choke-setter and rigger (clearing work); Concrete bucket dumper and chute; Concrete chipping and grinding; Concrete laborer (wet or dry); Driller tender, chuck tender, nipper; Guinea chaser (stake), grout crew; High pressure nozzle, adductor; Hydraulic monitor (over 100 lbs. pressure); Loading and unloading, carrying and hauling

of all rods and materials for use in reinforcing concrete construction; Pittsburgh chipper and similar type brush shredders; Sloper; Single foot, hand-held, pneumatic tamper; All pneumatic, air, gas and electric tools not listed in Groups 1 through 1-f; Jacking of pipe - under 12 inches

GROUP 3: Construction laborers, including bridge and general laborer; Dump, load spotter; Flag person; Fire watcher; Fence erector; Guardrail erector; Gardener, horticultural and landscape laborer; Jetting; Limber, brush loader and piler; Pavement marker (button setter); Maintenance, repair track and road beds; Streetcar and railroad construction track laborer; Temporary air and water lines, Victaulic or similar; Tool room attendant (jobsite only)

GROUP 4: All clean-up work of debris, grounds and building including but not limited to: street cleaner; cleaning and washing windows; brick cleaner (jobsite only); material cleaner (jobsite only). The classification "material cleaner" is to be utilized under the following conditions:

- A: at demolition site for the salvage of the material.
 - B: at the conclusion of a job where the material is to be salvaged and stocked to be reused on another job.
 - C: for the cleaning of salvage material at the jobsite or temporary jobsite yard.
- The material cleaner classification should not be used in the performance of "form stripping, cleaning and oiling and moving to the next point of erection".

GUNITE LABORER CLASSIFICATIONS

GROUP 1: Structural Nozzleman

GROUP 2: Nozzleman, Gunman, Potman, Groundman

GROUP 3: Reboundman

GROUP 4: Guniting laborer

WRECKING WORK LABORER CLASSIFICATIONS

GROUP 1: Skilled wrecker (removing and salvaging of sash, windows and materials)

GROUP 2: Semi-skilled wrecker (salvaging of other building materials)

LAB00324-007 06/25/2018

DEL NORTE, HUMBOLDT, LAKE, AND MENDOCINO COUNTIES

	Rates	Fringes
Tunnel and Shaft Laborers:		
GROUP 1.....	\$ 37.82	24.11
GROUP 2.....	\$ 37.59	24.11
GROUP 3.....	\$ 37.34	24.11
GROUP 4.....	\$ 36.89	24.11
GROUP 5.....	\$ 36.35	24.11
Shotcrete Specialist.....	\$ 38.34	24.11

TUNNEL AND SHAFT CLASSIFICATIONS

GROUP 1: Diamond driller; Groundmen; Guniting and shotcrete nozzleman

GROUP 2: Rodmen; Shaft work & raise (below actual or excavated ground level)

GROUP 3: Bit grinder; Blaster, driller, powdermen, heading; Cherry pickermen - where car is lifted; Concrete finisher in tunnel; Concrete screedman; Grout pumpman and potman; Guniting & shotcrete gunman & potman; Headermen; High pressure nozzleman; Miner - tunnel, including top and bottom man on shaft and raise work; Nipper; Nozzleman on slick line; Sandblaster - potman, Robotic Shotcrete Placer, Segment Erector, Tunnel Muck Hauler, Steel Form raiser and setter; Timberman, retimberman (wood or steel or substitute materials therefore); Tugger (for tunnel laborer work); Cable tender; Chuck tender; Powderman - primer house

GROUP 4: Vibrator operator, pavement breaker; Bull gang - muckers, trackmen; Concrete crew - includes rodding and spreading, Dumpmen (any method)

GROUP 5: Grout crew; Reboundman; Swamper/ Brakeman

LAB00324-009 07/01/2022

DEL NORTE, HUMBOLDT, LAKE, MENDOCINO, NAPA, SOLANO, AND SONOMA

COUNTIES

	Rates	Fringes
LABORER		
Mason Tender-Brick.....	\$ 35.84	25.91

FOOTNOTE: Refractory work where heat-protective clothing is required: \$2.00 per hour additional.

PAIN0016-021 01/01/2022

LAKE AND MENDOCINO COUNTIES

	Rates	Fringes
Painters:.....	\$ 46.37	26.33

* PAIN1034-001 06/01/1993

DEL NORTE AND HUMBOLDT COUNTIES

	Rates	Fringes
Painters:		
Brush & Roller.....	\$ 13.35 **	2.94
Sandblaster, spray, structural steel & swing stage.....	\$ 13.60 **	2.94

PAIN1176-001 07/01/2022

HIGHWAY IMPROVEMENT

	Rates	Fringes
Parking Lot Striping/Highway Marking:		
GROUP 1.....	\$ 40.83	17.62
GROUP 2.....	\$ 34.71	17.62
GROUP 3.....	\$ 35.11	17.62

CLASSIFICATIONS

GROUP 1: Striper: Layout and application of painted traffic stripes and marking; hot thermo plastic; tape, traffic stripes and markings

GROUP 2: Gamecourt & Playground Installer

GROUP 3: Protective Coating, Pavement Sealing

PLAS0300-005 07/01/2016

	Rates	Fringes
CEMENT MASON/CONCRETE FINISHER...	\$ 32.15	23.27

PLUM0038-004 07/01/2022

LAKE AND MENDOCINO COUNTIES

	Rates	Fringes
Landscape/Irrigation Fitter (Underground/Utility Fitter)....	\$ 69.70	33.15
PLUMBER		
Work on wooden frame structures 5 stories or less excluding high-rise buildings and commercial work such as hospitals, prisons, hotels, schools, casinos, wastewater treatment plants, and research facilities as well as refrigeration pipefitting, service and repair work - MARKET RECOVERY RATE.....	\$ 69.70	46.38
All other work - NEW CONSTRUCTION RATE.....	\$ 82.00	48.18

PLUM0355-005 07/01/2022

DEL NORTE AND HUMBOLDT COUNTIES:

	Rates	Fringes
Underground Utility Worker		

/Landscape Fitter.....\$ 32.22 17.55

SHEE0104-016 06/29/2020

Rates Fringes

SHEET METAL WORKER

Mechanical contracts
\$200,000 or less.....\$ 55.92 45.29
All other work.....\$ 64.06 46.83

TEAM0094-001 07/01/2022

Rates Fringes

Truck drivers:

GROUP 1.....\$ 36.95 31.14
GROUP 2.....\$ 37.25 31.14
GROUP 3.....\$ 37.55 31.14
GROUP 4.....\$ 37.90 31.14
GROUP 5.....\$ 38.25 31.14

FOOTNOTES:

Articulated dump truck; Bulk cement spreader (with or without auger); Dumpcrete truck; Skid truck (debris box); Dry pre-batch concrete mix trucks; Dumpster or similar type; Slurry truck: Use dump truck yardage rate.
Heater planer; Asphalt burner; Scarifier burner; Industrial lift truck (mechanical tailgate); Utility and clean-up truck: Use appropriate rate for the power unit or the equipment utilized.

TRUCK DRIVER CLASSIFICATIONS

GROUP 1: Dump trucks, under 6 yds.; Single unit flat rack (2-axle unit); Nipper truck (when flat rack truck is used appropriate flat rack shall apply); Concrete pump truck (when flat rack truck is used appropriate flat rack shall apply); Concrete pump machine; Fork lift and lift jitneys; Fuel and/or grease truck driver or fuel person; Snow buggy; Steam cleaning; Bus or personhaul driver; Escort or pilot car driver; Pickup truck; Teamster oiler/greaser and/or serviceperson; Hook tender (including loading and unloading); Team driver; Tool room attendant (refineries)

GROUP 2: Dump trucks, 6 yds. and under 8 yds.; Transit mixers, through 10 yds.; Water trucks, under 7,000 gals.; Jetting trucks, under 7,000 gals.; Single-unit flat rack (3-axle unit); Highbed heavy duty transport; Scissor truck; Rubber-tired muck car (not self-loaded); Rubber-tired truck jumbo; Winch truck and "A" frame drivers; Combination winch truck with hoist; Road oil truck or bootperson; Buggymobile; Ross, Hyster and similar straddle carriers; Small rubber-tired tractor

GROUP 3: Dump trucks, 8 yds. and including 24 yds.; Transit mixers, over 10 yds.; Water trucks, 7,000 gals. and over; Jetting trucks, 7,000 gals. and over; Vacuum trucks under 7500 gals. Trucks towing tilt bed or flat bed pull trailers; Lowbed heavy duty transport; Heavy duty transport tiller person; Self-propelled street sweeper with self-contained refuse bin; Boom truck - hydro-lift or Swedish type extension or retracting crane; P.B. or similar type self-loading truck; Tire repairperson; Combination bootperson and road oiler; Dry distribution truck (A bootperson when employed on such equipment, shall receive the rate specified for the classification of road oil trucks or bootperson); Ammonia nitrate distributor, driver and mixer; Snow Go and/or plow

GROUP 4: Dump trucks, over 25 yds. and under 65 yds.; Water pulls - DW 10's, 20's, 21's and other similar equipment when pulling Aqua/pak or water tank trailers; Helicopter pilots (when transporting men and materials); Lowbed Heavy Duty Transport up to including 7 axles; DW10's, 20's, 21's and other similar Cat type, Terra Cobra, LeTourneau Pulls, Tournorocker, Euclid and similar type equipment when pulling fuel and/or grease tank trailers or other miscellaneous trailers; Vacuum Trucks 7500 gals and over and truck repairman

GROUP 5: Dump trucks, 65 yds. and over; Holland hauler; Low bed Heavy Duty Transport over 7 axles

WELDERS - Receive rate prescribed for craft performing operation to which welding is incidental.

** Workers in this classification may be entitled to a higher

minimum wage under Executive Order 14026 (\$16.20) or 13658 (\$12.15). Please see the Note at the top of the wage determination for more information.

Note: Executive Order (EO) 13706, Establishing Paid Sick Leave for Federal Contractors applies to all contracts subject to the Davis-Bacon Act for which the contract is awarded (and any solicitation was issued) on or after January 1, 2017. If this contract is covered by the EO, the contractor must provide employees with 1 hour of paid sick leave for every 30 hours they work, up to 56 hours of paid sick leave each year. Employees must be permitted to use paid sick leave for their own illness, injury or other health-related needs, including preventive care; to assist a family member (or person who is like family to the employee) who is ill, injured, or has other health-related needs, including preventive care; or for reasons resulting from, or to assist a family member (or person who is like family to the employee) who is a victim of, domestic violence, sexual assault, or stalking. Additional information on contractor requirements and worker protections under the EO is available at <https://www.dol.gov/agencies/whd/government-contracts>.

Unlisted classifications needed for work not included within the scope of the classifications listed may be added after award only as provided in the labor standards contract clauses (29CFR 5.5 (a) (1) (ii)).

The body of each wage determination lists the classification and wage rates that have been found to be prevailing for the cited type(s) of construction in the area covered by the wage determination. The classifications are listed in alphabetical order of ""identifiers"" that indicate whether the particular rate is a union rate (current union negotiated rate for local), a survey rate (weighted average rate) or a union average rate (weighted union average rate).

Union Rate Identifiers

A four letter classification abbreviation identifier enclosed in dotted lines beginning with characters other than ""SU"" or ""UAVG"" denotes that the union classification and rate were prevailing for that classification in the survey. Example: PLUM0198-005 07/01/2014. PLUM is an abbreviation identifier of the union which prevailed in the survey for this classification, which in this example would be Plumbers. 0198 indicates the local union number or district council number where applicable, i.e., Plumbers Local 0198. The next number, 005 in the example, is an internal number used in processing the wage determination. 07/01/2014 is the effective date of the most current negotiated rate, which in this example is July 1, 2014.

Union prevailing wage rates are updated to reflect all rate changes in the collective bargaining agreement (CBA) governing this classification and rate.

Survey Rate Identifiers

Classifications listed under the ""SU"" identifier indicate that no one rate prevailed for this classification in the survey and the published rate is derived by computing a weighted average rate based on all the rates reported in the survey for that classification. As this weighted average rate includes all rates reported in the survey, it may include both union and non-union rates. Example: SULA2012-007 5/13/2014. SU indicates the rates are survey rates based on a weighted average calculation of rates and are not majority rates. LA indicates the State of Louisiana. 2012 is the year of survey on which these classifications and rates are based. The next number, 007 in the example, is an internal number used in producing the wage determination. 5/13/2014 indicates the survey completion date for the classifications and rates under that identifier.

Survey wage rates are not updated and remain in effect until a new survey is conducted.

Union Average Rate Identifiers

Classification(s) listed under the UAVG identifier indicate that no single majority rate prevailed for those classifications; however, 100% of the data reported for the classifications was union data. EXAMPLE: UAVG-OH-0010 08/29/2014. UAVG indicates that the rate is a weighted union average rate. OH indicates the state. The next number, 0010 in the example, is an internal number used in producing the wage determination. 08/29/2014 indicates the survey completion date for the classifications and rates under that identifier.

A UAVG rate will be updated once a year, usually in January of each year, to reflect a weighted average of the current negotiated/CBA rate of the union locals from which the rate is based.

WAGE DETERMINATION APPEALS PROCESS

1.) Has there been an initial decision in the matter? This can be:

- * an existing published wage determination
- * a survey underlying a wage determination
- * a Wage and Hour Division letter setting forth a position on a wage determination matter
- * a conformance (additional classification and rate) ruling

On survey related matters, initial contact, including requests for summaries of surveys, should be with the Wage and Hour National Office because National Office has responsibility for the Davis-Bacon survey program. If the response from this initial contact is not satisfactory, then the process described in 2.) and 3.) should be followed.

With regard to any other matter not yet ripe for the formal process described here, initial contact should be with the Branch of Construction Wage Determinations. Write to:

Branch of Construction Wage Determinations
Wage and Hour Division
U.S. Department of Labor
200 Constitution Avenue, N.W.
Washington, DC 20210

2.) If the answer to the question in 1.) is yes, then an interested party (those affected by the action) can request review and reconsideration from the Wage and Hour Administrator (See 29 CFR Part 1.8 and 29 CFR Part 7). Write to:

Wage and Hour Administrator
U.S. Department of Labor
200 Constitution Avenue, N.W.
Washington, DC 20210

The request should be accompanied by a full statement of the interested party's position and by any information (wage payment data, project description, area practice material, etc.) that the requestor considers relevant to the issue.

3.) If the decision of the Administrator is not favorable, an interested party may appeal directly to the Administrative Review Board (formerly the Wage Appeals Board). Write to:

Administrative Review Board
U.S. Department of Labor
200 Constitution Avenue, N.W.
Washington, DC 20210

4.) All decisions by the Administrative Review Board are final.

=====
END OF GENERAL DECISIO"