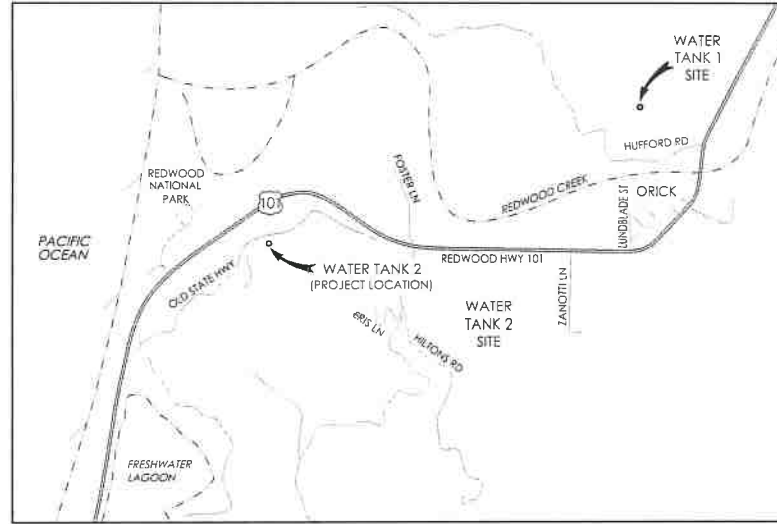
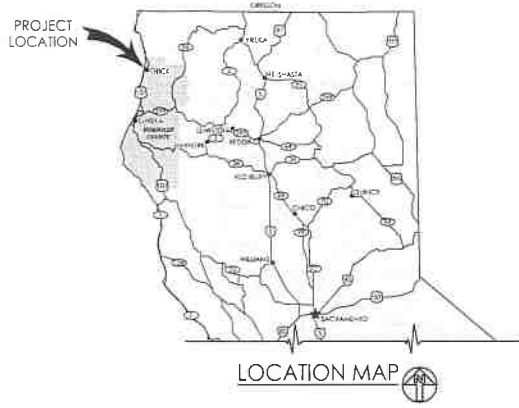


ORICK COMMUNITY SERVICES DISTRICT WATER SYSTEM IMPROVEMENTS PROJECT TANK 2 REPLACEMENT

FUNDED IN PART BY DRINKING WATER STATE REVOLVING FUND (DWSRF)
PROJECT No. 1200701 - 001C



SHEET INDEX		
PAGE	SHEET	TITLE
1	G1.0	TITLE
2	G2.0	ABBREVIATIONS
3	G3.0	LEGENDS - DETAILS
4	C1.0	CIVIL DETAILS
5	C2.0	DEMOLITION PLAN
6	C2.1	SITE PLAN
7	C3.0	DISTRIBUTION SYSTEM IMPROVEMENTS
8	M1.0	TANK MECHANICAL
9	S1.0	TYPICAL DETAILS
10	S2.0	TANK SECTIONS & DETAILS
11	S2.1	TANK DETAILS
12	S2.2	TANK DETAILS
13	S2.3	TANK DETAILS
14	S2.4	TANK DETAILS
15	S2.5	TANK DETAILS
16	E1.0	ELECTRICAL ABBREVIATIONS
17	E2.0	PANEL SCHEDULES
18	E3.0	ONE LINE DIAGRAM
19	E4.0	ELECTRICAL PLAN - TANK 2
20	E5.0	ELECTRICAL PLAN - OFFICE
21	E6.1	ELECTRICAL ELEVATIONS
22	E6.0	ELECTRICAL DETAILS
23	I1.0	INSTRUMENTATION SYMBOLS AND ABBREVIATIONS
24	I2.0	DISTRICT OFFICE CONTROL DIAGRAMS
25	I2.1	CP-2 CONTROL DIAGRAM
26	I2.2	CP-2 CONTROL DIAGRAM CONTINUED
27	I3.0	CP-T2 CONTROL DIAGRAM
28	I4.0	CONTROL PANEL ELEVATIONS

BOARD OF DIRECTORS

- | | |
|---------------------|---------------|
| - RON BARLOW | CHAIRMAN |
| - ROBERT SECOR, JR. | VICE CHAIRMAN |
| - BYRON FRICK | BOARD MEMBER |
| - DOUG COMSTOCK | BOARD MEMBER |
| - BRIANNA DENLIS | BOARD MEMBER |

OCSD STAFF

- | | |
|----------------|---------------------|
| - TREVOR AVRAM | MAINTENANCE MANAGER |
|----------------|---------------------|

PACE DESIGN TEAM

- | | |
|-------------------|------------------------|
| - TOM WARNOCK | PROJECT MANAGER |
| - STEVE WILSON | STRUCTURAL ENGINEER |
| - TONY BOWSER | ELECTRICAL ENGINEER |
| - SEAN MCGUIGAN | STAFF ENGINEER |
| - BRYAN STUTCHMAN | ENGINEERING TECHNICIAN |

PRELIMINARY
NOT
FOR
CONSTRUCTION



SHEET
G1.0

12/9/22

JOB NO. 3027.02


PG. 1 OF 28

P:\DRAW - November 03, 2022 8:58 AM - LUPP Name Analysis
 P:\HUMB\PROJECTS\2022\0215_1200701\Drawings\Layout_E10

ABBREVIATIONS - WATER/MECHANICAL

Ø	Ø	DIAMETER	DN	DOWN	M	MALE or MECHANICAL	SECT	SECTION
± or PL	± or PL	PLATE OR PROPERTY LINE	D/W	DRAWING	MECH	MECHANICAL	SENSIBLE	SENSIBLE
AB	AB	ANCHOR BOLT, AGGREGATE BASE	E	ELECTRICAL CONDUIT	MCA	MINIMUM CIRCUIT AMPACITY	SG	SUPPLY GRILLE
AC	AC	ASBESTOS CEMENT PIPE or ASPHALT CONCRETE	(E) or EXIST	EXISTING	MCC	MOTOR CONTROL CENTER	SGL	SINGLE
AD	AD	AREA DRAIN or AEROBIC DIGESTER	EA	EACH	MFR	MANUFACTURER	SH or SHT	SHEET
ADDN'L	ADDN'L	ADDITIONAL	EEER	ENERGY EFFICIENCY RATIO	MG	MILLION GALLONS	SHTG	SHEATHING, SHEETING
ADH AB	ADH AB	ADHESIVE ANCHOR BOLT	EF	EXHAUST FAN	MH	MANHOLE	SIM	SIMILAR
AF	AF	ABOVE FINISH FLOOR	EL or ELEV	ELEVATION	MIN	MINIMUM	SMS	SHEET METAL SCREW
AGG or AGGR	AGG or AGGR	AGGREGATE	ELB	ELBOW	MSC	MISCELLANEOUS	SOOS	SHOWN OUT OF SECTION
AIR	AIR	ANALYZER INDICATING RECORDER	EMB	EMBED or EMBEDMENT	MJ	MECHANICAL JOINT	SP	SPACE or SPACES or STATIC PRESSURE
AIT	AIT	ANALYZER INDICATING TRANSMITTER	EN	EDGE NAILING	MOCP	MECHANICAL OVERCURRENT PROTECTION	SPEC'S	SPECIFICATIONS
ALUM	ALUM	ALUMINUM	ENGR	ENGINEER	MRS	MECHANICAL RUBBER SEAL	SG	SQUARE
APPROX	APPROX	APPROXIMATELY	EP	EDGE OF PAVEMENT	MTL	METAL	SS	SANITARY SEWER or STAINLESS STEEL
ARV	ARV	AIR RELEASE VALVE	EQ	EQUAL	MWS	MAXIMUM WATER SURFACE	STD	STANDARD
ASOV	ASOV	AUTOMATIC SHUTOFF VALVE	EQIP	EQUIPMENT	(N)	NEW	STL	STEEL
ASSY	ASSY	ASSEMBLY	ER	EDGE OF ROAD	NS&G	NUTS, BOLTS, & GASKETS	STRUCT	STRUCTURAL
ASTM	ASTM	AMERICAN SOCIETY FOR TESTING OF MATERIALS	ESMT	EASEMENT	NF	NEAR FACE	SW	SURFACE WASH
AV	AV	AIR VALVE	ESP	EXTERNAL STATIC PRESSURE	NIC	NOT IN CONTRACT	SWMH	STORM WATER MANHOLE
BCV	BCV	BACKWATER CHECK VALVE OR BUTTERFLY CONTROL VALVE OR BALL CHECK VALVE	EW	EACH WAY	NTS	NOT TO SCALE	SYM	SYMMETRICAL
BFM	BFM	BONDED FIBER MATRIX BUTTERFLY VALVE	EXP AB	EXPANSIVE ANCHOR BOLT	NPT	NATIONAL PIPE THREAD	T	TELEPHONE CONDUIT or TOP
BFV	BFV	BUTTERFLY VALVE	EXP JT	EXPANSION JOINT(S)	NTS	NOT TO SCALE	T&B	TOP AND BOTTOM
BCV/M	BCV/M	BUTTERFLY VALVE W/ MOTOR ACTUATOR	EXT	EXTERIOR	O/	OVER	T&C	TOP BACK OF CURVE
BCV/P	BCV/P	PNEUMATIC OPERATED BUTTERFLY VALVE	F	FENCE or FEMALE	O/F	OVERFLOW	T&F	TRAVELING BRIDGE FILTER
BHP	BHP	BRAKE HORSE POWER	FBE	FUSION BONDED EPOXY	OC	ON CENTER	TBM	TEMPORARY BENCH MARK
BFL	BFL	BACKFLOW	FC	FLEXIBLE COUPLING	OCSD	ORICK COMMUNITY SERVICES DISTRICT	TC	TOP OF CONCRETE
BLDG	BLDG	BUILDING	FCO	FRENCH DRAIN OR FLOOR DRAIN	OF	OUTSIDE DIAMETER	TELE	TELEPHONE
BLK	BLK	BLOCK	FD	FRENCH DRAIN OR FLOOR DRAIN	OF	OUTSIDE FACE	THD	THREADED
BLKG	BLKG	BLOCKING	FE	FILTERED EFFLUENT	OG	ORIGINAL GROUND	THK	THICK or THICKNESS
BM	BM	BENCH MARK OR BEAM	FF	FINISHED FLOOR or FAR FACE	OH	OVERHEAD	TL	TRAFFIC LID
BO	BO	BLOW OFF or BLOCK-OUT	FG or FN GR	FINISH GRADE	OPG or OPNG	OPENING	TN	TOE NAIL
BOB	BOB	BOTTOM	FI	FIRE RESISTANT or FULL HEIGHT	OPF	OPPOSITE	TOW	TOP OF WALL
BV	BV	BALL VALVE	FHS	FLAT HEAD WOOD SCREW	PDJ	PUMP DISMANTLING JOINT	TR	THRUST RESTRAINT
BW	BW	BACKWASH	FIN	FINISH	P&ID or PID	PROCESS INSTRUMENTATION DIAGRAM	TYP	TYPICAL
C or C/L or C/L	C or C/L or C/L	CENTERLINE	FL	FLOW LINE	PE	PLAIN END	UG	UNDER GROUND
C or COND	C or COND	CONDUIT	FLA	FULL LOAD AMPS	PER	PERIMETER	ULT	ULTRASONIC LEVEL TRANSMITTER
CAV	CAV	COMBINATION AIR RELEASE VALVE	FLG	FLANGE	PH	PHASE	UNO	UNLESS NOTED OTHERWISE
CCP	CCP	CONCRETE CYLINDER PIPE	FLR	FLOOR	PNL	PANEL	V	VENT or VOLTS
CPE	CPE	COMBINED FILTER EFFLUENT	FMJA	FLANGE x MJ ADAPTER	PNT	PAINT	VCP	VITRIFIED CLAY PIPE
CFM	CFM	CUBIC FEET PER MINUTE	FND	FOUNDATION	#	POUND	VERT	VERTICAL
CI	CI	CAST IRON PIPE	PPM	FEET PER MINUTE	PP	POWER POLE	W	WATER
CIP	CIP	CAST IN PLACE	FRP	FIBER REINFORCED POLYETHYLENE	PR	PAIR	WJ	WITH
CISP	CISP	CAST IRON SOIL PIPE	FTG	FOOTING	PREFAB	PREFABRICATED	W/O	WITHOUT
CJ	CJ	CONTROL JOINT or CEILING JOIST	FW	FILTERED WATER	PROJ	PROJECT	WC	WATER CLOSET OR WATER COMPANY
CL or CLR	CL or CLR	CLEAR	GA	GAGE	PRV	PRESSURE REDUCING SOLENOID VALVE	WH	WARF HEAD HYDRANT
CLG	CLG	CEILING	GAL	GALLON	PRV	PRESSURE RELIEF VALVE	WHF	WHOLE HOUSE FAN
CMF	CMF	CORRUGATED METAL PIPE	GALV	GALVANIZED	PS	PIPE SUPPORT	WM	WATER METER
CMU	CMU	CONCRETE MASONRY UNIT	GC	GROOVED COUPLING	PSI	POUNDS PER SQUARE INCH	WS	WATER STOP or WATER SERVICE
CO	CO	CLEAN OUT	GSP	GALVANIZED STEEL PIPE	PV	PLUG VALVE	WSL	WATER SERVICE LEVEL
COL	COL	COLUMN	GV	GATE VALVE	PVC	POLYVINYL CHLORIDE PIPE	WSP	WELDED STEEL PIPE
COMB	COMB	COMBINATION	HC	HALF COUPLING	PW	POTABLE WATER	WV	WATER VALVE
COMP	COMP	COMPACTED or COMPOSITION SHINGLES	HD	HOLD DOWN or HOT DIPPED	R	RADIUS	WTP	WATER TREATMENT PLANT
CONC	CONC	CONCRETE	HDPE	HIGH DENSITY POLYETHYLENE	RCP	REINFORCED CONCRETE PIPE	WWTP	WASTEWATER TREATMENT PLANT
CONST	CONST	CONSTRUCTION	HMA	HOT MIX ASPHALT	RDW or RDWD	REDWOOD		
CONT	CONT	CONTINUOUS	HORIZ	HORIZONTAL	RED	REDUCER		
CONTR	CONTR	CONTRACTOR	HP	HORSE POWER or HEAT PUMP	RENF	REINFORCEMENT STEEL REBAR		
CORP	CORP	CORPORATION	HT	HEIGHT	REQ'D	REQUIRED		
CP	CP	COLLECTION PIPE or CONTROL PANEL	HVAC	HEATING, VENTILATION, AND AIR CONDITIONING	REST	RESTRAINED		
CPP	CPP	CORRUGATED POLYETHYLENE PIPE	HZ	HERTZ	RFC	RESTRAINED FLANGED COUPLING ADAPTER		
CTR	CTR	CENTER	I	INSTRUMENTATION	RFMA	RESTRAINED FLANGED MECHANICAL JOINT ADAPTER		
CU	CU	COPPER	ID	INSIDE DIAMETER	RFG	ROOFING		
CV	CV	CHECK VALVE	IEER	INTEGRATED ENERGY EFFICIENCY RATIO	RG	RETURN GRILLE		
D	D	DRAIN	IN WC	INCHES WATER COLUMN	RH	ROD HOLE		
DB	DB	DIRECT BURIAL	INSUL	INSULATION	RLA	RATED LOAD AMPS		
DBL	DBL	DOUBLE	INT	INTERIOR or INTERMEDIATE	RMJ	RESTRAINED MECHANICAL JOINT		
DCV	DCV	DIAPHRAGM CONTROL VALVE	INV	INVERT	RO	ROUGH OPENING		
DET	DET	DETAIL	KV	KNIFE GATE VALVE	ROW	RIGHT OF WAY		
DI	DI	DUCTILE IRON or DROP INLET	L	LINEAR FOOT	RPM	ROTATIONS PER MINUTE		
DIP	DIP	DUCTILE IRON PIPE	LAT	LATENT	RSP	ROCK SLOPE PROTECTOR		
DIA	DIA	DIAMETER	LF	LINEAR FOOT	RW	RAW WATER		
DIAPH	DIAPH	DIAPHRAGM	LG	LIP OF GUTTER	S	SLOPE		
DIM	DIM	DIMENSION	LLA	LIQUID LEVEL ANALYZER	SCH or SCHED	SCHEDULE		
			LVR	LOUVER	SD	STORM DRAIN		

REVISIONS	
NO	DATE



DES: TMM CDD: TMM JOB NO.: 3892.02
 DWN: SWS DATE: 12/21/22

DESIGNED BY: TMM
 DRAWN BY: SWS
 CHECKED BY: TMM
 DATE: 12/21/22

ORICK COMMUNITY SERVICES DISTRICT
 WATER SYSTEM IMPROVEMENTS PROJECT TANK 2 REPLACEMENT

ABBREVIATIONS

SHEET

G2.0

PG 2 OF 28

Plot Date: 12/21/22 10:22:24 AM Plot Path: I:\Projects\2022\3892.02\Drawings\G2.0.dwg
 File Name: I:\Projects\2022\3892.02\Drawings\G2.0.dwg

SYMBOL LEGEND

- ▬ AGGREGATE BASE LIMIT
- ▭ AREA DRAIN
- BENCHMARK
- BOLLARD
- ⊕ CENTERLINE
- △ CONTROL POINT
- > CULVERT
- DRAINAGE DIRECTION ARROW
- ⊠ ELECTRICAL PANEL / BOX
- FOUND MONUMENT AS NOTED
- ⊕ (E) FIRE HYDRANT
- ⊕ (N) FIRE HYDRANT
- ⊕ GAS METER
- ⊕ GAS VALVE
- ⊕ GUY ANCHOR
- ⊕ GRID TICK
- ⊕ HOSE BIB
- ⊕ LIGHT POLE
- ⊕ PHONE PEDESTAL
- ⊕ POLE- JOINT UTILITY
- ⊕ POLE- POWER
- ⊕ ROCK
- ▨ RIPRAP DISSIPATOR
- ▽ SANITARY SEWER LATERAL
- SANITARY SEWER MANHOLE
- ▽ SANITARY SEWER CLEANOUT / RODHOLE
- ▽ SANITARY SEWER CAP
- ⊕ SIGN - SINGLE POLE
- ⊕ SIGN - DOUBLE POLE
- ⊕ STOP SIGN
- ▭ STORM DRAIN CATCH BASIN
- ▭ STORM DRAIN CATCH BASIN - TYPE 3
- ▭ STORM DRAIN CATCH BASIN - TYPE 4
- STORM DRAIN MANHOLE
- ⊕ TELCO BOX
- ⊕ TEST PIT
- ⊕ TREE/SHRUB
- WATER BLOWOFF
- ⊕ WATER METER/BOX
- ⊕ (E) WATER VALVE
- ⊕ (N) WATER VALVE
- ⊕ WELL
- ⊕ SLOPE DIRECTION MARKERS
- ⊕ AIRFLOW DIRECTION ARROW
- ⊕ KEYNOTE

LINE LEGEND

- ▬ VERTICAL CURB
- (E) EP
- (N) EP
- (E) CONC
- (N) CONC
- PROPERTY LINE
- FLOWLINE
- (E) WATER MAIN
- (N) WATER MAIN
- (E) WATER SERVICE
- (N) WATER SERVICE
- (E) FIRE SERVICE
- (N) FIRE SERVICE
- (E) STORM DRAIN
- (N) STORM DRAIN
- (E) SANITARY SEWER
- (N) SANITARY SEWER
- (E) GAS LINE
- (N) GAS LINE

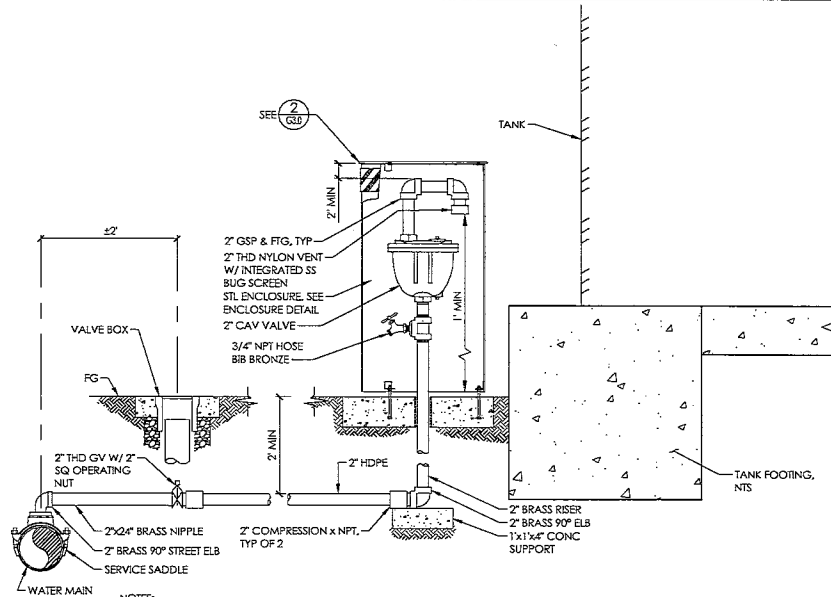
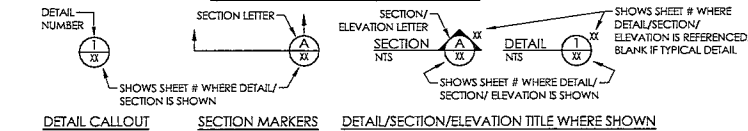
HATCH LEGEND

- ▨ (E) CONCRETE
- ▨ (N) CONCRETE
- ▨ (E) PAVEMENT
- ▨ (N) PAVEMENT (X" HMA OVER X" AB)
- ▨ (E) AS ROAD
- ▨ (N) RIPRAP (6-12" COBBLES)
- ▨ (N) BUILDING
- ▨ LAWN/LANDSCAPE AREA
- ▨ DETECTABLE WARNING SURFACE

DEMOLITION LEGEND

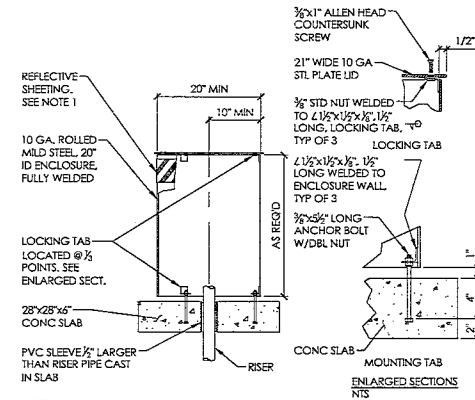
- ▨ TBA TO BE ABANDONED
- ▨ TBR TO BE REMOVED
- ⊕ TREES TO BE REMOVED
- ▨ DEMOLITION LINE
- ▨ DEMOLITION AREA (BLDG, CONC, SIDEWALK)

GENERAL INFORMATION



NOTES:
1. PIPELINE FROM SERVICE SADDLE TO AIR VALVE SHALL HAVE A POSITIVE SLOPE.

CAV DETAIL
1"=1'-0" (E30)



NOTES:
1. REFLECTIVE SHEETING SHALL BE INSTALLED @ TOP OF EXTERIOR SIDEWALL WRAP SHEETING 360° AROUND ENCLOSURE.
2. ALL ABOVE GRADE PIPING SHALL BE INSULATED.
3. CAV SHALL BE INSULATED WITH A FLEXIBLE INSULATION COVER.
4. ALL ENCLOSURE HARDWARE SHALL BE GALVANIZED OR STAINLESS STEEL.
5. ALL METAL SURFACES NOT GALVANIZED SHALL BE POWDERCOATED OLIVE GREEN.

ENCLOSURE DETAIL
1"=1'-0" (E30)

SCALE: 1"=1'-0"
NOT DIMENSION ON THIS SHEET, ADJUST SCALES ACCORDINGLY.

REVISIONS	
NO.	DATE



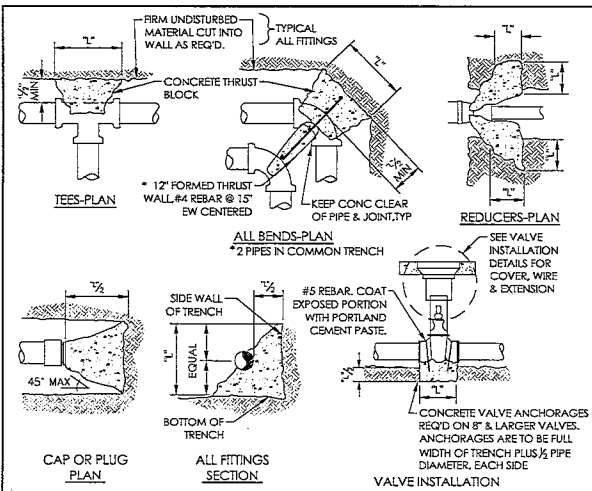
DES: JWW
CHK: JWW
DWN: BWS
DATE: 12/9/22
JOB NO.: 3022.02

SIGNED: [Signature]
PRELIMINARY
NOT FOR CONSTRUCTION

ORICK COMMUNITY SERVICES DISTRICT
WATER SYSTEM IMPROVEMENTS PROJECT TANK 2 REPLACEMENT

LEGENDS - DETAILS

SHEET
G3.0
PG 3 OF 28



NOTE: INCREASE ALL DIMENSIONS IN TABLE 1 BY 10% TO ALLOW FOR INCREASE IN PRESSURE TO 175 PSI.

TABLE 1
STANDARD THRUST BLOCK MINIMUM DIMENSION "L" IN INCHES

NOMINAL PIPE DIAMETER INCHES	FITTINGS						VALVE
	TEE, WYE, OR PLUG	90° BEND	45° BEND	22 1/2° BEND	11 1/4° BEND	REDUCER (BASED ON LARGEST DIA.)	
4"	18	22	16	15	15	-	-
6"	26	31	23	17	15	-	-
8"	34	40	30	21	15	-	12
10"	41	49	36	26	18	21	12
12"	49	59	44	31	22	25	16
14"	58	68	50	36	26	30	16
16"	66	77	57	41	28	33	18
18"	74	88	65	45	32	37	REQUIRES SPECIAL DESIGN
20"	81	97	71	50	36	41	REQUIRES SPECIAL DESIGN
24"	97	115	85	61	43	49	REQUIRES SPECIAL DESIGN

TABLE 2
VERTICAL FITTING THRUST BLOCKS

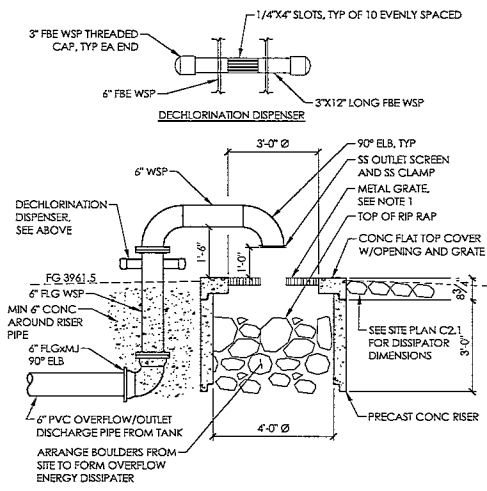
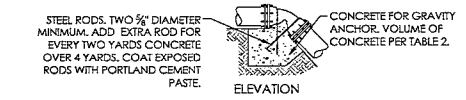
WHERE VERTICAL BENDS ARE DIRECTED WITH THE THRUST TOWARD THE BOTTOM OF THE TRENCH, THEY SHALL HAVE THRUST BLOCKS PER HORIZONTAL BENDS EXCEPT CONCRETE SHALL BEAR AGAINST THE TRENCH BOTTOM.

WHERE VERTICAL BENDS ARE DIRECTED WITH THE THRUST TOWARD THE TOP OF TRENCH, THEY SHALL BE INSTALLED PER THE FOLLOWING DETAIL. MINIMUM ROD EMBEDMENT SHALL BE 30 INCHES FOR 12" AND SMALLER PIPE AND 36 INCHES FOR 14" AND LARGER PIPE.

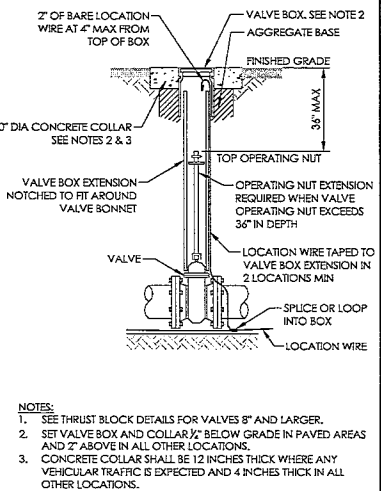
CUBIC YARDS CONCRETE FOR VERTICAL FITTINGS (SEE DETAIL BELOW)

BEND ANGLE	PIPE DIAMETER						REQUIRES SPECIAL DESIGN
	4"	6"	8"	10"	12"	14" AND OVER	
11 1/4°	0	0.4	0.7	0.9	1.3	1.8	REQUIRES SPECIAL DESIGN
22 1/2°	0.4	0.8	1.3	1.8	2.5	3.4	
45°	0.7	1.4	2.4	3.5	4.9	6.6	
90°	1.3	2.5	4.3	6.4	9.1	12.2	

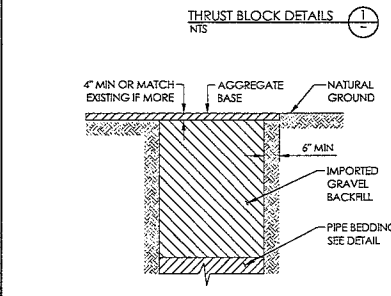
- NOTES:**
- THRUST BLOCKS SHALL BE PROVIDED AT ALL BURIED PIPE FITTINGS OF 4" DIA OR LARGER. THRUST BLOCK SIZE IS BASED ON PIPE SIZE, 150 PSI TEST PRESSURE, & SOIL BEARING OF 1200 LB/FT². DIMENSION "L" IS SHOWN IN TABLE 1 & IS BOTH A VERTICAL & HORIZONTAL DIMENSION UNLESS SHOWN OTHERWISE. IF PIPE COVER HAS BEEN PROVIDED TO BE LESS THAN 30", INCREASE HORIZONTAL THRUST BLOCKS IN PROPORTION TO 30 INCHES DIVIDED BY THE ACTUAL COVER. IF TEST PRESSURE IS LESS THAN 150 PSI, THRUST BLOCK AREAS OR VOLUMES MAY BE PROPORTIONATELY SMALLER. KEEP CONCRETE FREE OF ALL JOINTS, BOLTS & NUTS.
 - USE OF A MECHANICALLY RESTRAINED FITTING IN LIEU OF A THRUST BLOCK TYPICALLY REQUIRES A NUMBER OF PIPE JOINTS TO BE RESTRAINED UP AND DOWNSTREAM OF THE FITTING. WHERE RESTRAINED FITTINGS ARE SHOWN ON THE PLANS, OR WHERE A CONTRACTOR PROPOSES TO USE A RESTRAINED FITTING IN LIEU OF A THRUST BLOCK BECAUSE OF SITE CONDITIONS, THE CONTRACTOR SHALL DETERMINE THE NUMBER OF PIPE JOINTS TO BE RESTRAINED AND SUBMIT THIS INFORMATION TO THE ENGINEER FOR REVIEW. PAYMENT FOR RESTRAINED JOINTS SHALL BE INCLUDED IN THE MOST APPLICABLE BID ITEM.



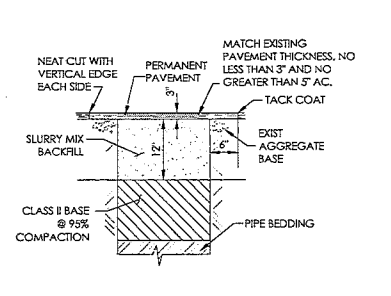
- NOTE:**
1. METAL GRATE SHALL BE GALVANIZED STEEL OR CAST IRON.
CONC OVERFLOW ENERGY DISSIPATOR 2



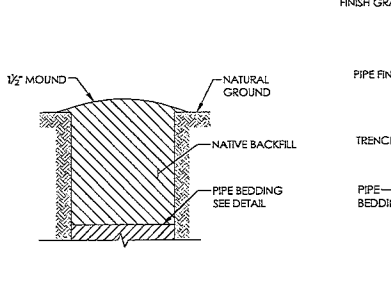
- NOTES:**
1. SEE THRUST BLOCK DETAILS FOR VALVES 8" AND LARGER.
2. SET VALVE BOX AND COLLAR 1/2" BELOW GRADE IN PAVED AREAS AND 2" ABOVE IN ALL OTHER LOCATIONS.
3. CONCRETE COLLAR SHALL BE 12 INCHES THICK WHERE ANY VEHICULAR TRAFFIC IS EXPECTED AND 4 INCHES THICK IN ALL OTHER LOCATIONS.
VALVE INSTALLATION DETAIL 3



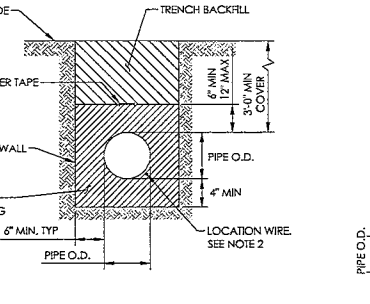
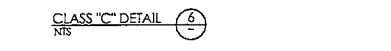
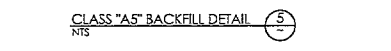
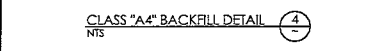
NOTE:
CLASS "A" WILL BE USED IN GRAVELED SHOULDERS, ALLEYS, UNDER CONCRETE, UNPAVED DRIVEWAYS, AND AT OTHER LOCATIONS DESIGNATED BY THE ENGINEER.



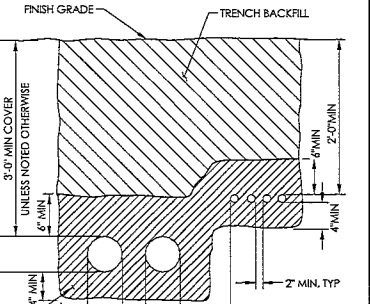
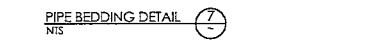
NOTE:
CLASS "AS" BACKFILL SHALL BE USED IN THE CALTRANS ROW AND WHERE INDICATED ON PLANS.



NOTES:
1. CLASS "C" BACKFILL WILL BE USED IN AREAS WHERE VEHICLE TRAFFIC IS NOT EXPECTED AND AT THE LOCATIONS DESIGNATED BY THE ENGINEER.
2. WHEN IN CULTIVATED OR LANDSCAPED AREAS THE TOP 1" OF SOIL SHALL BE REPLACED WITH EXISTING OR IMPORTED TOPSOIL. THE SURFACE SHALL BE RE-LEVELED FOLLOWING INUNDATION AND TRENCH SETTLEMENT. LAWNS OR OTHER LANDSCAPING SHALL THEN BE REPLACED.



NOTES:
1. FOR 2 PIPES IN COMMON TRENCH, MAINTAIN 12" CLEARANCE BETWEEN PIPES AND 6" MIN BETWEEN PIPES AND TRENCH WALL.
2. FOR WATER PIPING AND PRESSURE SEWERS ONLY, ALL SPICES SHALL BE PERFORMED WITH WATER PROOF CONNECTORS. SEE SPECIFICATIONS.



NOTES:
1. FOR 2 PIPES IN COMMON TRENCH, MAINTAIN 12" CLEARANCE BETWEEN PIPES AND 6" MIN BETWEEN PIPES AND TRENCH WALL.
2. FOR WATER PIPING AND PRESSURE SEWERS ONLY, ALL SPICES SHALL BE PERFORMED WITH WATER PROOF CONNECTORS. SEE SPECIFICATIONS.



REVISIONS

NO.	DATE	DESCRIPTION

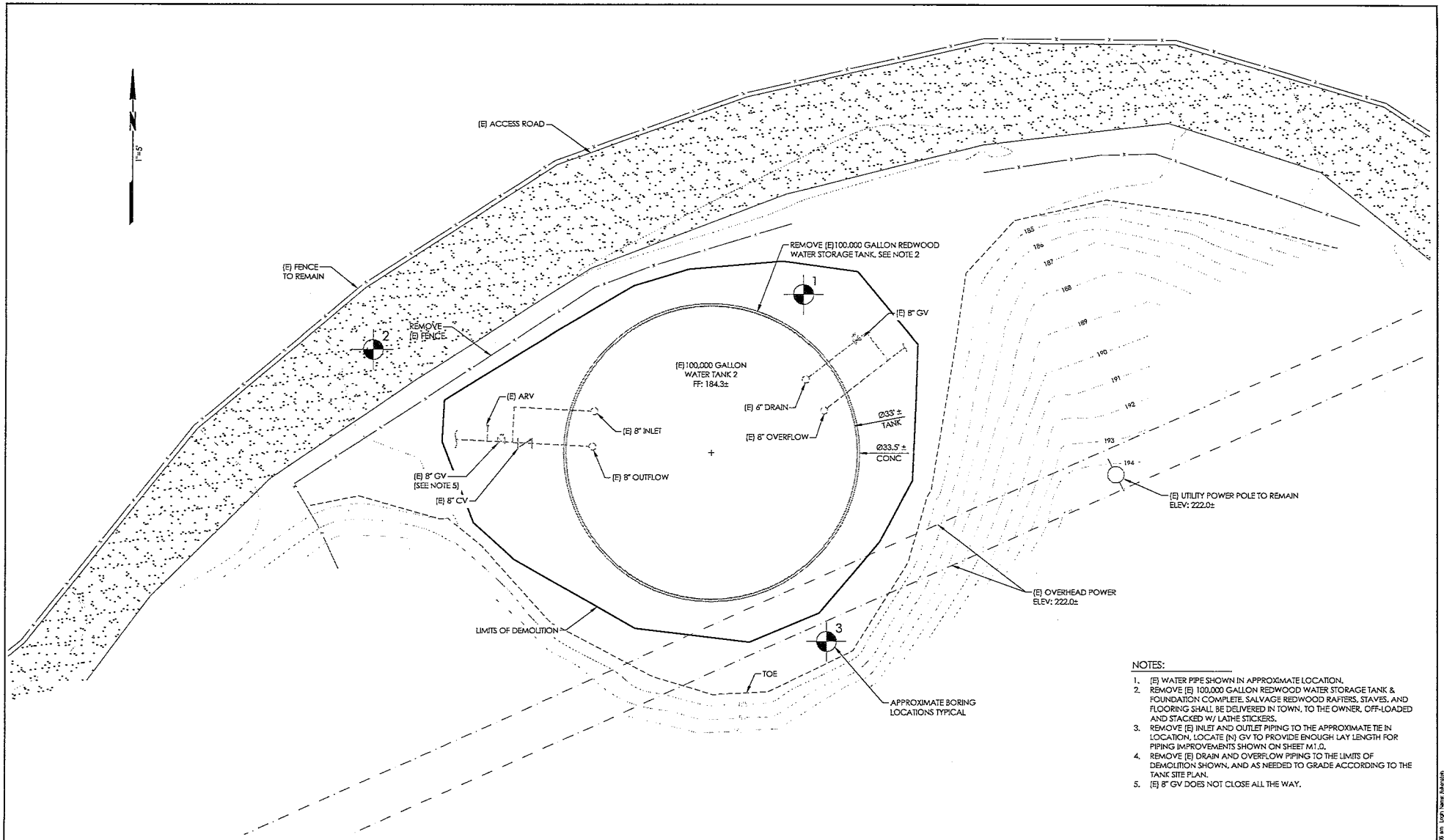


DES: TWW
CHK: TWW
DRN: BWS
DATE: 12/27/22
JOB NO: 302702

RIGNED
PRELIMINARY NOT FOR CONSTRUCTION

ORICK COMMUNITY SERVICES DISTRICT
WATER SYSTEM IMPROVEMENTS PROJECT TANK 2 REPLACEMENT
CIVIL DETAILS

SHEET
C1.0
PG 4 OF 28



- NOTES:**
- [E] WATER PIPE SHOWN IN APPROXIMATE LOCATION.
 - REMOVE [E] 100,000 GALLON REDWOOD WATER STORAGE TANK & FOUNDATION COMPLETE. SALVAGE REDWOOD RAFTERS, STAVES, AND FLOORING SHALL BE DELIVERED IN TOWN, TO THE OWNER, OFF-LOADED AND STACKED W/ LATHE STICKERS.
 - REMOVE [E] INLET AND OUTLET PIPING TO THE APPROXIMATE TIE IN LOCATION, LOCATE [N] GV TO PROVIDE ENOUGH LAY LENGTH FOR PIPING IMPROVEMENTS SHOWN ON SHEET M1.0.
 - REMOVE [E] DRAIN AND OVERFLOW PIPING TO THE LIMITS OF DEMOLITION SHOWN, AND AS NEEDED TO GRADE ACCORDING TO THE TANK SITE PLAN.
 - [E] 8" GV DOES NOT CLOSE ALL THE WAY.

REVISIONS	
NO.	DATE

PACE ENGINEERING

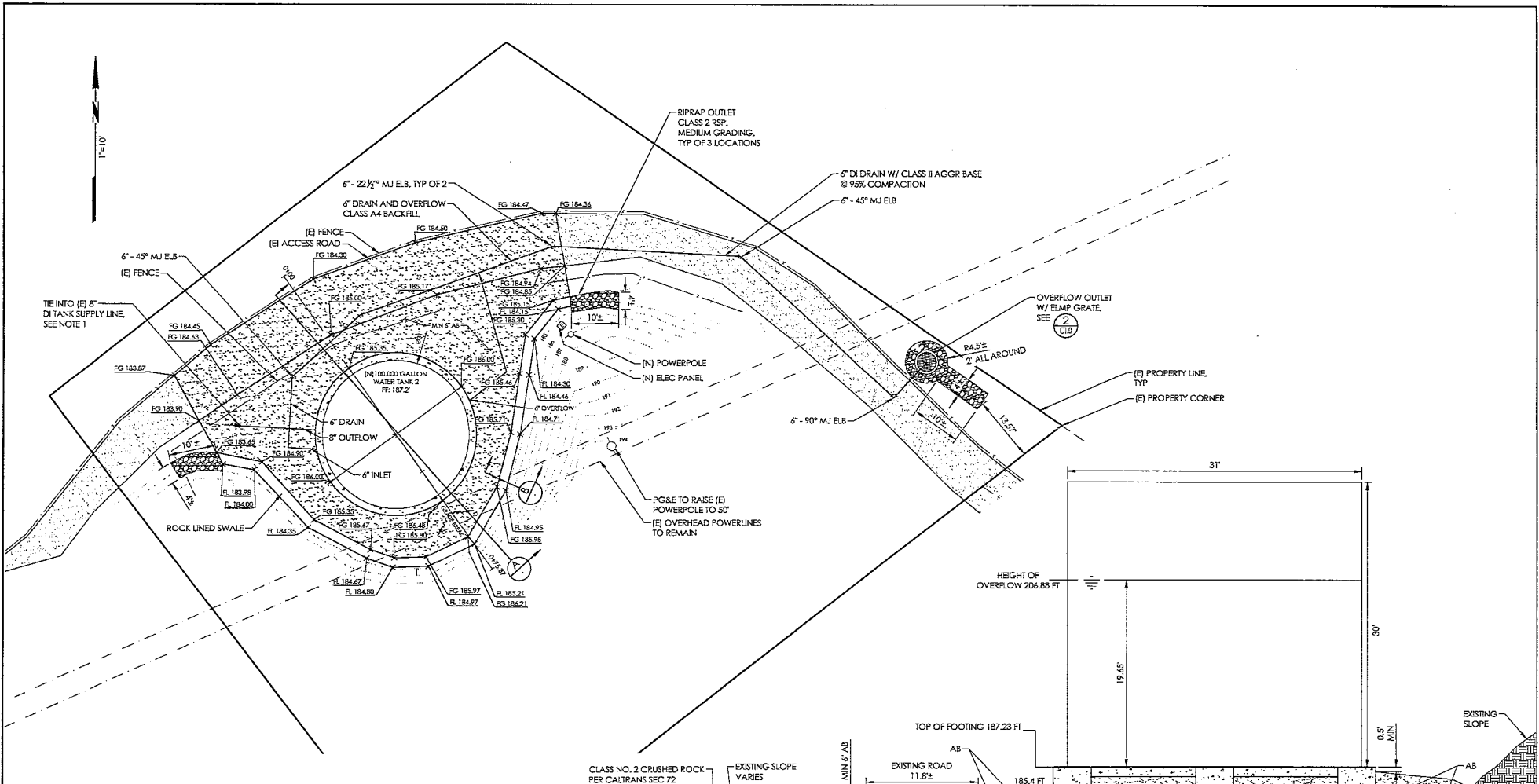
DES: TWJ CDD: TWJ JOB NO. 3872.02
 DRN: BWS DATE: 12/9/22

SIGNED: _____
 PRELIMINARY
 NOT FOR
 CONSTRUCTION

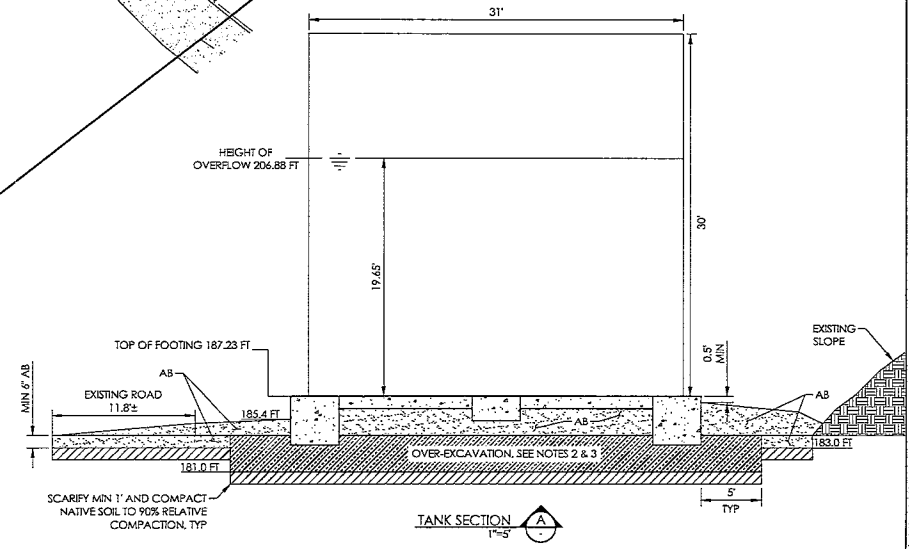
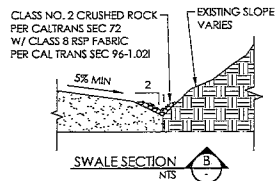
ORICK COMMUNITY SERVICES DISTRICT
 WATER SYSTEM IMPROVEMENTS PROJECT TANK 2 REPLACEMENT
 DEMOLITION PLAN

SHEET
C2.0
 PG 5 OF 28

FILE DATE: December 08, 2022 10:08 AM - L:\Projects\Water\JRW\Drawings\Demolition\Plan\Layout C2.0
 File Name: Orick\Water\JRW\Drawings\Demolition\Plan\Layout C2.0



- NOTES:
1. COORDINATE WITH DISTRICT STAFF TO DRAIN TANK PRIOR TO CUTTING IN (N) 8" CV INTO (E) 8" DI TANK SUPPLY LINE. SEE ORDER OF WORK IN ESC.
 2. OVER-EXCAVATED SITE SHALL BE OBSERVED BY EC IN ENGINEERING. CONTRACTOR SHALL CONTACT ENGINEER AT 2 DAYS IN ADVANCE OF EXCAVATION.
 3. OVER-EXCAVATE AND BACKFILL WITH STRUCTURE BACKFILL OR CLASS 2 AGGR BASE TO 92% RELATIVE COMPACTION.



BAR 8.0 INCH ON ORIGINAL DRAWING 0" = 1" IF NOT ONE INCH ON THIS SHEET, ADJUST SCALES ACCORDINGLY.
--

REVISIONS	
NO	DATE

PACE ENGINEERING

DES: THW CND: THW JOB NO: 3027.02
 DRW: BWS DATE: 12/9/22

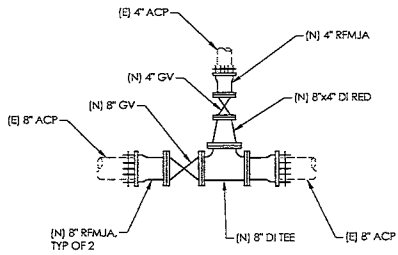
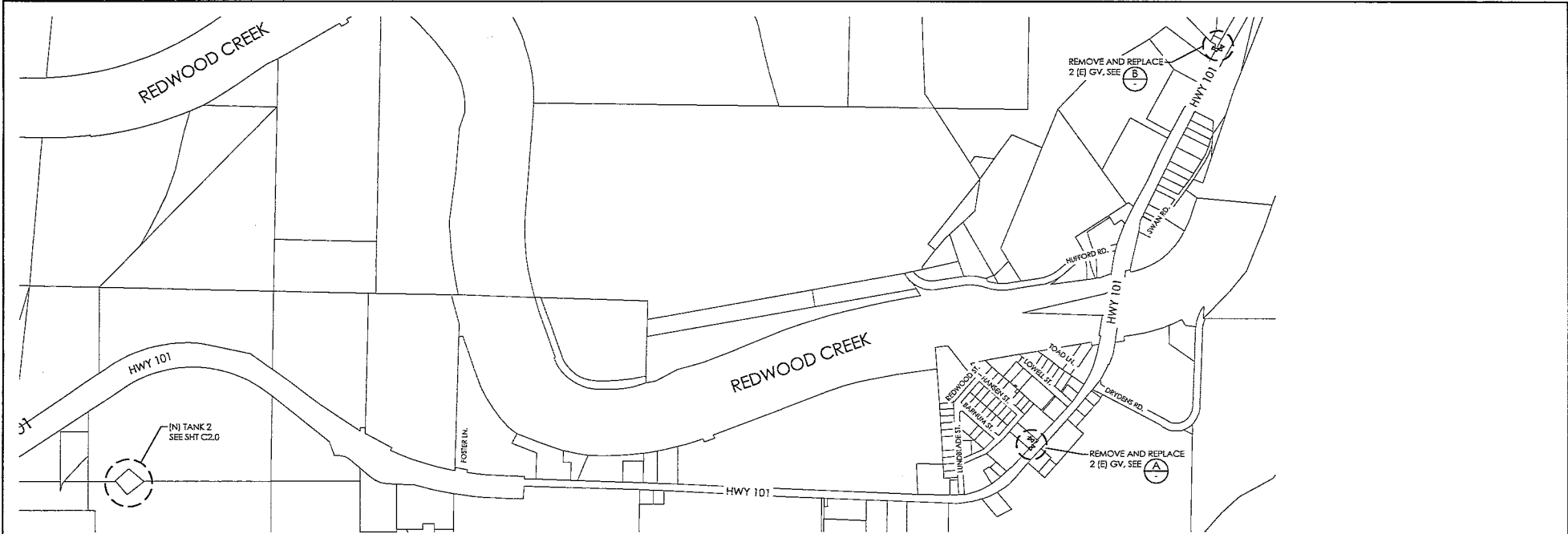
SIGNED
 PRELIMINARY
 NOT FOR
 CONSTRUCTION

ORICK COMMUNITY SERVICES DISTRICT
 WATER SYSTEM IMPROVEMENTS PROJECT TANK 2 REPLACEMENT

SITE PLAN

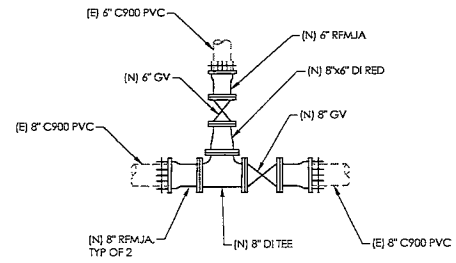
SHEET
C2.1
 PG 6 OF 28

File Path: \\pacer\p\2022\22-043-001-001-001.dwg User: thw Date: 12/9/22 Time: 10:50:00 AM



NOTE:
 1. BACKFILL SHALL BE AS UNLESS NOTED OTHERWISE IN CAL TRANS ENCROACHMENT PERMIT.
 2. ADD SPOOL PIECES AND 2-BOLT COUPLINGS AS NEEDED TO MAKE UP PIPE LENGTHS, TYP.

VALVE DETAIL 1 (A)
 NIS



NOTE:
 1. BACKFILL SHALL BE A4 UNLESS NOTED OTHERWISE IN CAL TRANS ENCROACHMENT PERMIT.
 2. ADD SPOOL PIECES AND 2-BOLT COUPLINGS AS NEEDED TO MAKE UP PIPE LENGTHS, TYP.

VALVE DETAIL 2 (B)
 NIS

NO	DATE	DESCRIPTION



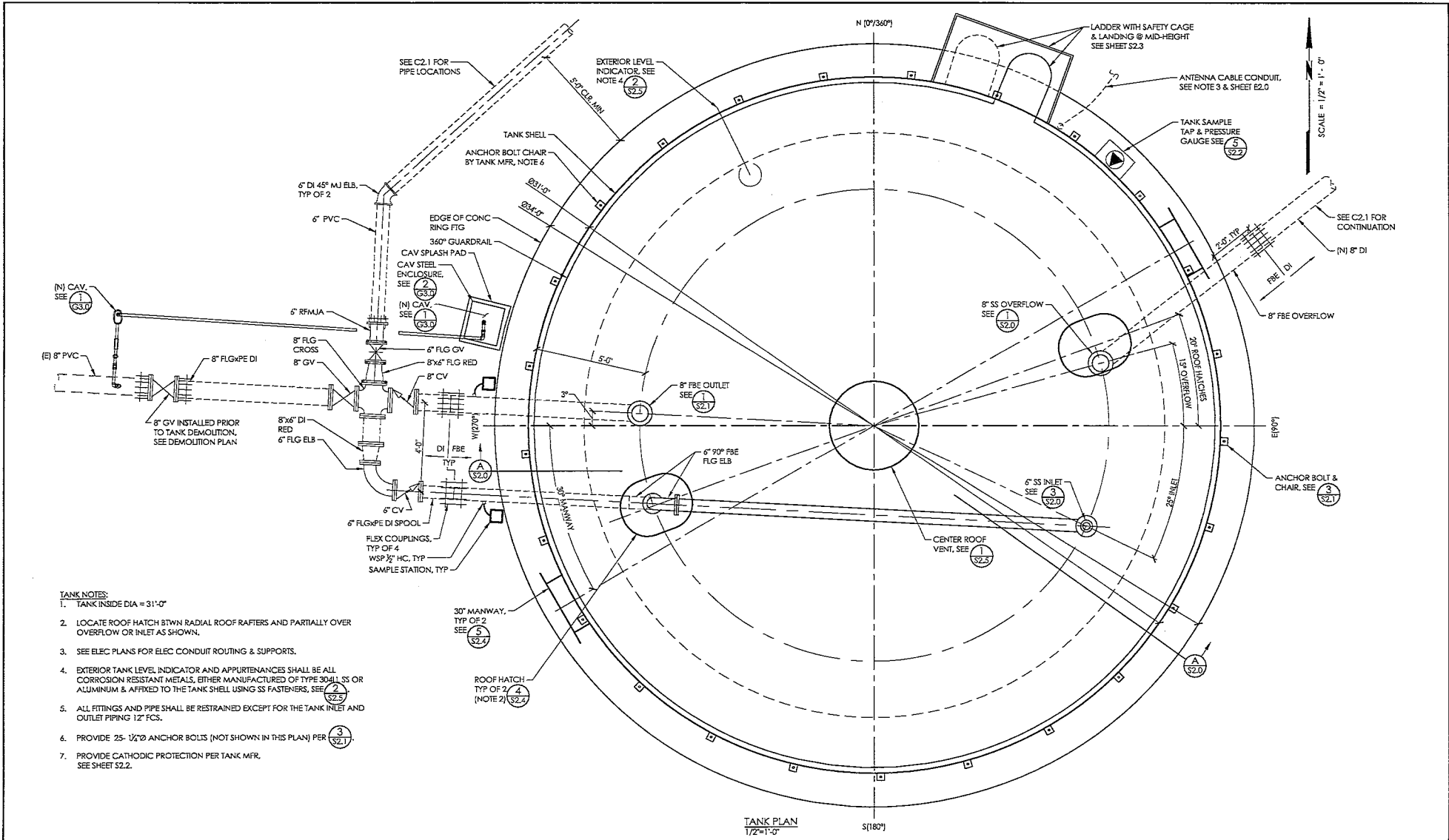
DES: TMY CND: TMY JOB NO.
 DWG: BMS DATE: 12/9/22 3327.02

SIGNED
 PRELIMINARY
 NOT FOR
 CONSTRUCTION

ORICK COMMUNITY SERVICES DISTRICT
 WATER SYSTEM IMPROVEMENTS PROJECT TANK 2 REPLACEMENT
 DISTRIBUTION SYSTEM IMPROVEMENTS

SHEET
C3.0
 PG 7 OF 28

PLOT DATE: 12/09/2022 04:10:22 PM 12/9/22 Name: mshelton
 File Name: M:\water\12022\02 C3.0 C3.0\DWG\DistSys\DistSys.dwg



- TANK NOTES:
1. TANK INSIDE DIA = 31'-0"
 2. LOCATE ROOF HATCH BTWN RADIAL ROOF RAFTERS AND PARTIALLY OVER OVERFLOW OR INLET AS SHOWN.
 3. SEE ELEC PLANS FOR ELEC CONDUIT ROUTING & SUPPORTS.
 4. EXTERIOR TANK LEVEL INDICATOR AND APPURTENANCES SHALL BE ALL CORROSION RESISTANT METALS, EITHER MANUFACTURED OF TYPE 304L SS OR ALUMINUM & AFFIXED TO THE TANK SHELL USING SS FASTENERS, SEE (S2.5).
 5. ALL FITTINGS AND PIPE SHALL BE RESTRAINED EXCEPT FOR THE TANK INLET AND OUTLET PIPING 12" FCS.
 6. PROVIDE 25- 1/2"Ø ANCHOR BOLTS (NOT SHOWN IN THIS PLAN) PER (S2.1).
 7. PROVIDE CATHODIC PROTECTION PER TANK MFR, SEE SHEET S2.2.

TANK PLAN
1/2"=1'-0"

BAR B DIMENSION ON ORIGINAL DRAWING
0" = 1"
IF NOT ONE INCH ON THIS SHEET, READ SCALES ACCORDINGLY.

REVISIONS	
NO	DESCRIPTION

PACE ENGINEERING

DES: SPW CND: SPW JOB NO. 30819
 DWN: BWS DATE: 12/9/22 3027.02

SIGNED: _____
 PRELIMINARY
 NOT FOR CONSTRUCTION

ORICK COMMUNITY SERVICES DISTRICT
 WATER SYSTEM IMPROVEMENTS PROJECT TANK 2 REPLACEMENT

TANK MECHANICAL

SHEET
M1.0
 PG. 8 OF 28

PLN 0206 - Drawn on 08/03/2022 10:02 am 12/09/2022 Name: mshannon
 File Name: A:\Plan\Projects\2022\02_02\22010\Tank 2_12.dwg Layout: MFD

λ _s SPLICE LENGTH TABLE (SEE NOTES)													
BAR SIZE	3	4	5	6	7	8	9		10		11		
MIN COVER	3/4	3/4	3/4	1	1	1	2	1	2	2 1/2	1	2	3
TOP BAR	26	34	43	51	61	81	69	146	102	77	185	130	93
OTHER	20	27	33	39	48	62	53	111	78	59	142	99	71
TOP BAR	23	31	39	46	55	73	62	131	91	69	166	117	84
OTHER	18	24	30	35	43	56	47	100	70	53	128	89	64
TOP BAR	21	28	35	42	50	66	56	119	83	63	151	106	76
OTHER	16	22	27	32	39	51	43	91	64	48	116	81	58
TOP BAR	18	24	30	36	43	57	48	103	72	55	131	92	65
OTHER	16	19	23	28	33	44	37	79	56	42	101	70	50

NOTES:

- TOP BARS INCLUDE HORIZONTAL BARS IN WALLS, BEAMS, FOOTINGS AND SLABS WITH MORE THAN 12 INCHES OF CONC CAST BELOW THE BAR.
- SEE PLANS FOR ACTUAL COVER.
- LAP SPLICE LENGTH SPECIFIED ELSEWHERE ON THE DRAWINGS SHALL GOVERN OVER THIS TABLE.

CONCRETE REINF. SPLICE TABLE 1
NTS

ADHESIVE ANCHOR INSTALLATION TABLE IN CONCRETE AND CMU													
		HLTI HY - 200 ADH					SIMPSON SET-XP ADH						
ROD/REBAR Ø		3/8	1/2	5/8	3/4	7/8	1	3/8	1/2	5/8	3/4	7/8	1
DRILL BIT Ø	ROD	7/16	9/16	3/4	7/8	1	1 1/8	1/2	5/8	3/4	7/8	1	1 1/8
	REBAR	1/2	5/8	3/4	7/8	1	1 1/8	1/2	5/8	3/4	7/8	1	1 1/8
MAXIMUM ROD INSTALLATION TORQUE (FT-LBS)		15	30	60	100	125	150	10	20	30	45	60	80

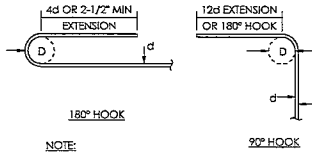
NOTES FOR INSTALLATION IN CONCRETE:

- INSTALLATION SHALL BE IN ACCORDANCE W/ MFRS EVALUATION REPORT (ICC ESR - 3187 FOR HLTI & ICC ESR - 2508 FOR SIMPSON) & INSTALLATION INSTRUCTIONS.
- SPECIAL INSPECTION IS REQ'D DURING INSTALLATION.
- MINIMUM BOLT EMBEDMENT & EDGE DISTANCE SHALL BE AS SHOWN ON THE DWGS.
- THIRD ROD SHALL BE ASTM A36, ASTM F1554 GR 36, OR HLTI HAS - V - 36. WHERE STL ANCHORS ARE NOTED ON THE DRAWINGS, USE ASTM A193 GR B8 (TYPE 304SS), OR HLTI HAS - R 304 SS.
- EXISTING REINF STEEL SHALL BE LOCATED PRIOR TO ADH ANCHOR INSTALLATION.

NOTES FOR INSTALLATION IN THE FACE OF FULLY GROUTED CMU:

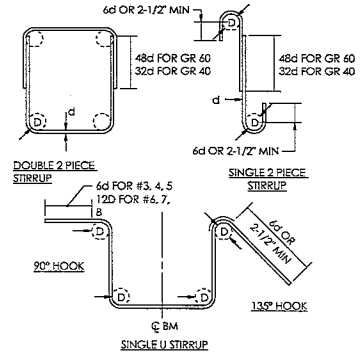
- THE TABLE AND NOTES ABOVE FOR INSTALLATION IN CONCRETE APPLY EXCEPT AS NOTED IN 2 & 3 BELOW.
- INSTALLATION SHALL BE IN ACCORDANCE W/ MFRS EVALUATION REPORT (ICC ESR - 3963 FOR HLTI & IAPMO ER 265 FOR SIMPSON) & INSTALLATION INSTRUCTIONS.
- WHEN USING SIMPSON SET-XP EPOXY IN CMU, ANCHORS SHALL HAVE 4" MINIMUM EDGE AND END DISTANCE AND ANCHORS SHALL NOT BE LOCATED WITH 1 1/2" OF HEAD JOINTS PER MFR INSTRUCTIONS.

ADHESIVE ANCHOR INSTALLATION TABLE 4
NTS



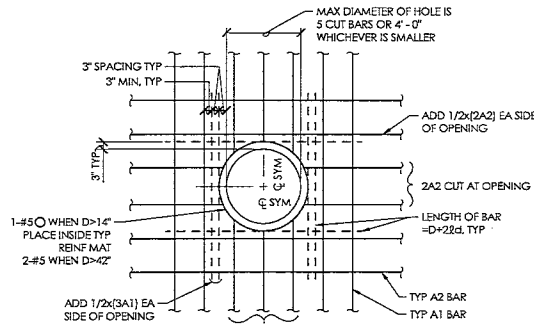
NOTE:
D = 6d FOR #3 THRU #8 BARS
D = 8d FOR #9, 10, 11 BARS

STANDARD REBAR ENDS 2
NTS



STIRRUP AND TIE HOOKS 3
NTS

NOTE:
D = MIN TAILS FOR SEISMIC USE SHALL BE 10d
D = 4d FOR #3, 4, 5 BARS AND
D = 6d FOR #6, 7, 8 BARS



NOTE:
1. THIS DETAIL APPLIES TO ALL MATS OF REINFORCEMENT IN WALLS & SLABS.

TYPICAL ROUND OPENING REINF DETAIL 5
NTS

BAR IS ONE INCH ON ORIGINAL DRAWING
IF ONE INCH ON THE SHEET, ACCURACY SCALAS ACCORDINGLY

REVISIONS	
NO	DATE

PACE ENGINEERING

DES: SPW CKD: SPW JOB NO. 3027/02
 DRN: JF DATE: 12/9/22

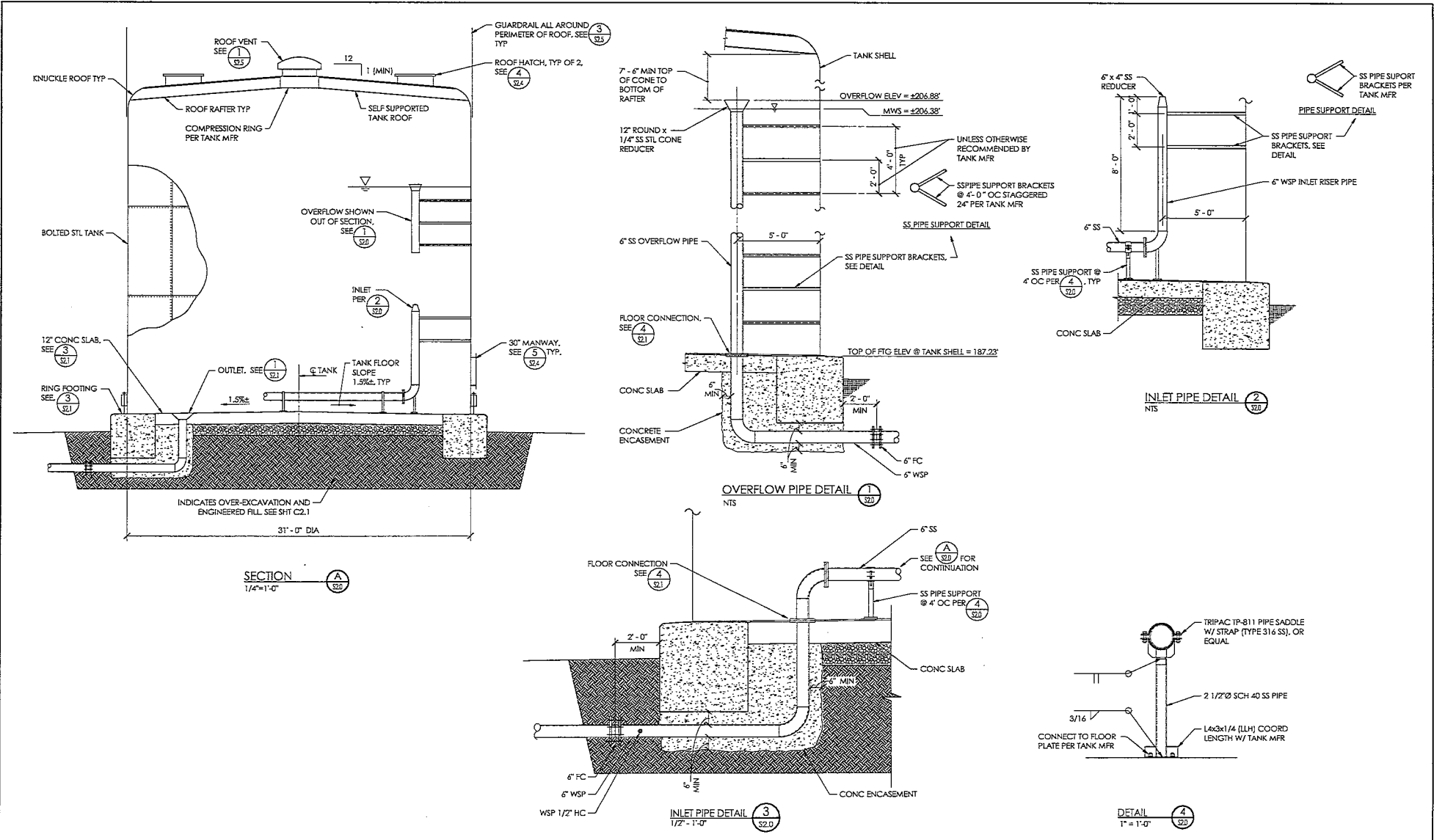
SIGNED
PRELIMINARY
NOT FOR
CONSTRUCTION

ORICK COMMUNITY SERVICES DISTRICT
WATER SYSTEM IMPROVEMENTS PROJECT TANK 2 REPLACEMENT

TYPICAL DETAILS

SHEET

S1.0
PG 9 OF 28



SCALE IS ONE INCH ON ORIGINAL DRAWING
0" 1" 2"
IF ANY ONE INCH ON THIS SHEET, ADJUST SCALES ACCORDINGLY

REVISIONS		
NO.	DATE	DESCRIPTION

PACE ENGINEERING

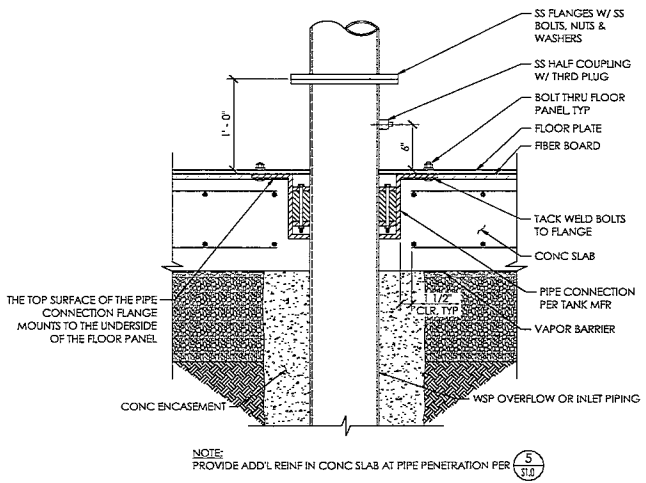
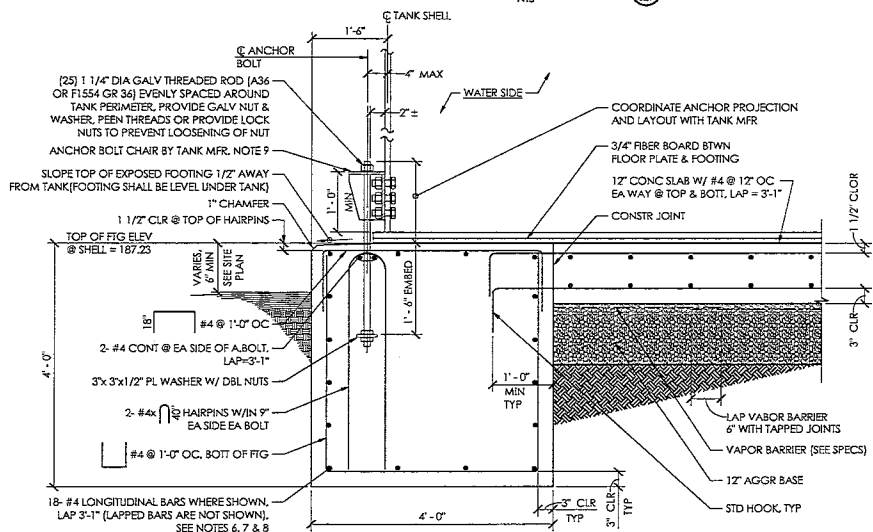
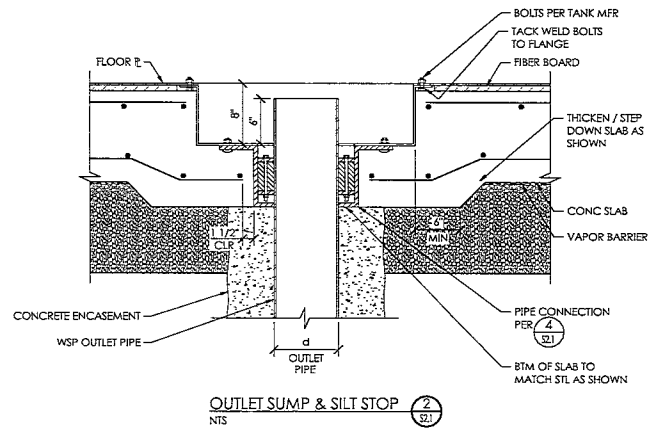
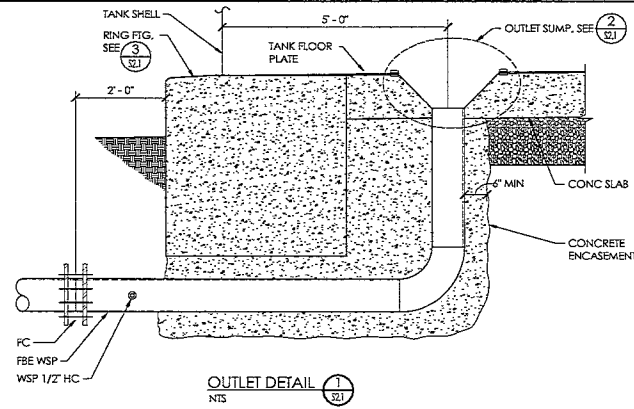
DES: SPW CDD: SPW JOB NO. S2.0
 DEN: MSW/JF DATE: 12/9/22 3027.02

SIGNED
PRELIMINARY
NOT FOR
CONSTRUCTION

ORICK COMMUNITY SERVICES DISTRICT
WATER SYSTEM IMPROVEMENTS PROJECT TANK 2 REPLACEMENT

TANK SECTIONS & DETAILS

SHEET
S2.0
PG 10 OF 28



- NOTES:**
1. ALL LOOSE MATERIAL SHALL BE REMOVED FROM FOOTING TRENCHES.
 2. ALL FOOTING EXCAVATIONS SHALL BE OBSERVED BY THE ENGINEER PRIOR TO PLACEMENT OF REINFORCING STEEL.
 3. CONCRETE SHALL BE PLACED NEAT BELOW ORIGINAL GRADE.
 4. GEOTECHNICAL ENGINEER TO EVALUATE EXISTING SOIL CONDITIONS PRIOR TO OVER-EXCAVATION AND FILL PLACEMENT AND ALSO AFTER FOOTING TRENCH EXCAVATION.
 5. SLOPE HORIZ SURFACES OF FTG AWAY FROM TANK.
 6. VERTICAL CLEARANCE BETWEEN LONGITUDINAL BARS SHALL BE 2 BAR DIA MINIMUM.
 7. LONGITUDINAL BAR SPLICES SHALL OCCUR IN ALTERNATE HORIZONTAL ROWS AND SHALL BE STAGGERED HORIZONTALLY (CENTER OF LAP BELOW TO CENTER OF LAP ABOVE) BY A MINIMUM DISTANCE OF 3'-0".
 8. BARS SHALL BE PRE-BENT IN SHOP TO CORRECT RADIUS PRIOR TO INSTALLATION.
 9. ANCHOR BOLTS AND CHAIRS SHALL BE INSTALLED TO AVOID CONFLICT WITH LADDER AND OTHER APPURTENANCES.

RING FOOTING DETAIL (3)
NTS

PIPE AT FLOOR CONNECTION (4)
NTS

BAR IS ONE-INCH ON ORIGINAL DRAWING		REVISIONS	
NO	DATE	DESCRIPTION	

PACE ENGINEERING

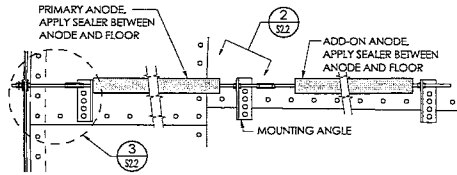
DES: SPW CD: SPW JOB NO. 302702
 DRN: MSW/JF DATE: 12/2/22

SIGNED
 PRELIMINARY
 NOT FOR
 CONSTRUCTION

ORICK COMMUNITY SERVICES DISTRICT
 WATER SYSTEM IMPROVEMENTS PROJECT TANK 2 REPLACEMENT

TANK DETAILS

SHEET
S2.1
 PG 11 OF 28

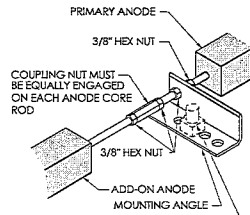


USAGE AQUASTORE STEEL FLOOR FOUNDATION PLAN VIEW OF ANODE IN ASSEMBLED POSITION

NOTES:

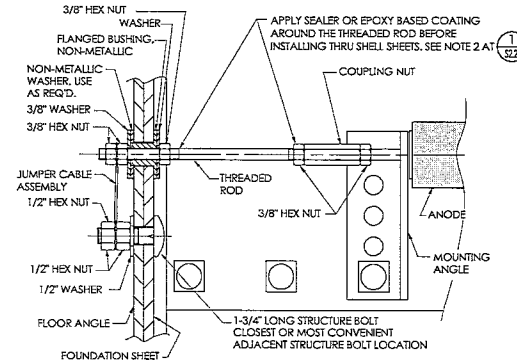
1. THIS CONSTRUCTION DETAIL IS INTENDED TO SHOW THE CATHODIC PROTECTION SYSTEM AS INSTALLED. SEE MFR FOR DETAILED INSTALLATION INSTRUCTIONS.
2. ALL NSF APPROVED SEALERS AND EPOXY BASED COATINGS USED WHEN INSTALLING THE CATHODIC PROTECTION SYSTEM ARE TO BE SUPPLIED BY THE BUILDER.

CATHODIC PROTECTION DETAIL 1
NTS

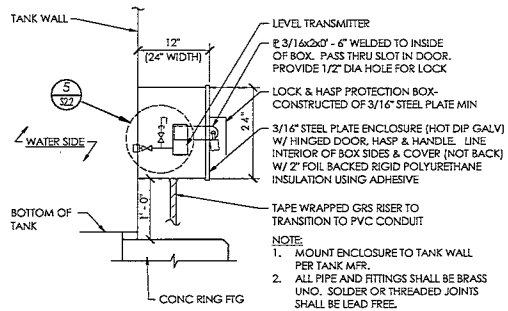


INSTALL ENCAPSULATED NUT AS PROVIDED IN THE AQUASTORE STEEL FLOOR FOUNDATION ASSEMBLY. NOTE: STRUCTURE BOLT IN GLASS FLOOR APPLICATIONS MAY BE FLUSH WITH OR SLIGHTLY BELOW NUT FACE.

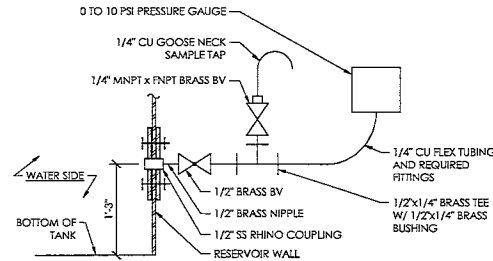
CATHODIC PROTECTION DETAIL 2
NTS



CATHODIC PROTECTION DETAIL 3
NTS



LEVEL TRANSMITTER 4
NTS



DETAIL 5
NTS

NOTE:
1. UNIONS TO BE INSTALLED FOR DISASSEMBLY

8 1/8" IS ONE INCH ON ORIGINAL DRAWING
0" = 1" = 11"
IF NOT ONE INCH ON THIS SHEET, ADJUST SCALES ACCORDINGLY

REVISIONS	
NO.	DATE



DES: SPW
DRN: MSW/SZ

CED: SPW
DATE: 12/9/22

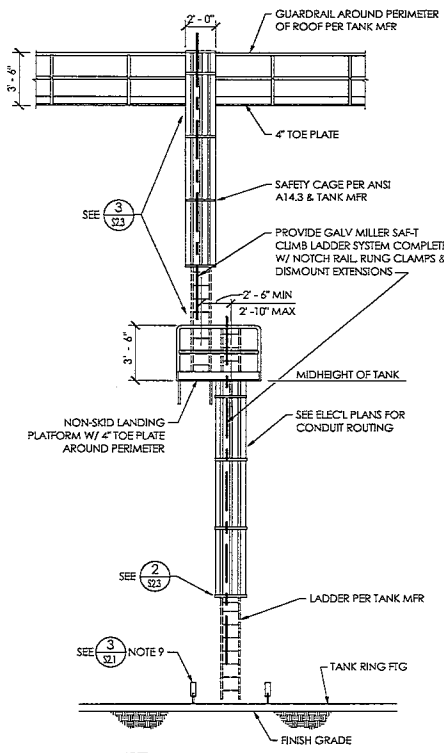
JOB NO.
3027.02

SIGNED
PRELIMINARY
NOT FOR
CONSTRUCTION

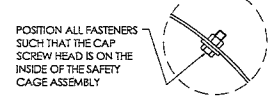
ORICK COMMUNITY SERVICES DISTRICT
WATER SYSTEM IMPROVEMENTS PROJECT TANK 2 REPLACEMENT

TANK DETAILS

SHEET
S2.2
FG 12 OF 28



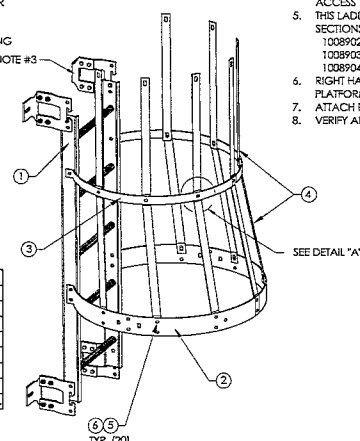
- GENERAL NOTES:**
1. ALL STEEL COMPONENTS ARE HOT DIP GALVANIZED.
 2. FASTEN COMPONENTS TOGETHER USING 1/2" DIA. HEX HD CAP SCREW SETS. FASTENER USAGE FOR ASSEMBLY OF THIS SECTION IS AS FOLLOWS: SET OF 1/2" X 1 1/2" LONG (ITEM #5, 6 AND 7) AT ALL JOINTS
 3. LADDER BRACKET ASSEMBLIES ARE SHOWN FOR REFERENCE ONLY. POSITION OF THE BRACKETS TO BE DETERMINED DURING INSTALLATION. SEE PROJECT SUBMITTAL DOCUMENTATION FOR BRACKET TYPE AND QUANTITY REQUIREMENTS.
 4. THIS LADDER SECTION IS CONNECTED AT THE BOTTOM TO ANY ONE OF THE LADDER SECTIONS ILLUSTRATED ON THE FOLLOWING CONSTRUCTION DETAIL DRAWINGS:
 - 1008902 LADDER SECTION - INTERMEDIATE
 - 1008903 LADDER SECTION - TOP
 - 1008109 LADDER AND PLATFORM SECTION - OPEN TOP
 - 1008900 LADDER AND MANWAY PLATFORM SECTION



POSITION ALL FASTENERS SUCH THAT THE CAP SCREW HEAD IS ON THE INSIDE OF THE SAFETY CAGE ASSEMBLY

ITEM	DESCRIPTION	QTY.
7	WASHER, 1/2"	20
6	NUT - 1/2" HEX	20
5	HHCS - 1/2" X 1 1/2" LG	20
4	STRINGER, 2"	14
3	LADDER CAGE HOOP HALF, INTERMEDIATE SINGLE	2
2	LADDER CAGE HOOP HALF, BOTTOM FLARED DOUBLE	2
1	LADDER ASSEMBLY, SHORT	-
-	SHORT BOTTOM LADDER & SAFETY CAGE KIT	-

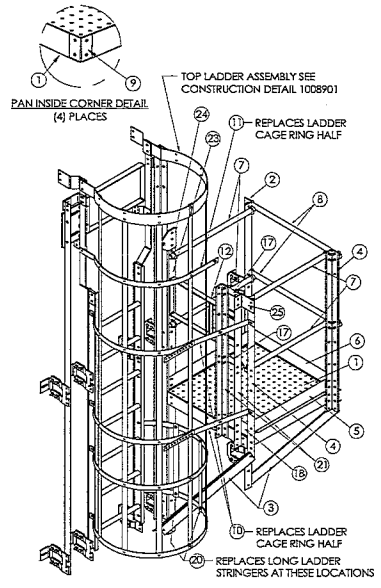
LADDER BOTTOM
NTS



ITEM	DESCRIPTION	QTY.
25	CORNER POST CLIP	1
24	ANCHOR CLIP	1
23	MANWAY PLATFORM VERTICAL SUPPORT	1
22	WASHER, 1/2"	60
21	HANDRAIL POST, SWING GATE	2
20	STRINGER, 2"	2
19	PIPE CAP	16
18	TOEBOARD - REST PLATFORM OPENING	1
17	HANDRAIL - REST PLATFORM OPENING	2
16	NUT - 1/2" HEX	60
15	HHCS - 1/2" X 1 1/2" LG	60
14	WASHER, 3/8"	32
13	LEBOLT, 1" W/ NUTS	16
12	SAFETY GATE, 18"	1
11	CAGE BAND, SHORT	1
10	CAGE BAND, SHORT	2
9	LADDER REST PLATFORM CORNER CLIP	4
8	HANDRAIL - REST PLATFORM, SIDE	2
7	HANDRAIL - REST PLATFORM, FRONT/BACK	4
6	TOEBOARD - REST PLATFORM, SIDE	1
5	TOEBOARD - REST PLATFORM, FRONT/BACK	2
4	HANDRAIL POST, REST PLATFORM	2
3	TOP PLATFORM DIAGONAL SUPPORT	1
2	MANWAY PLATFORM VERTICAL SUPPORT	1
1	REST PLATFORM PAN	1
-	MANWAY PLATFORM KIT	-

LADDER TOP & PLATFORM
NTS

- GENERAL NOTES:**
1. ALL STEEL COMPONENTS ARE HOT DIP GALVANIZED.
 2. FASTEN COMPONENTS TOGETHER USING 1/2" DIA. HEX HD CAP SCREW SETS. USE 1" U-BOLT SETS TO CONNECT HANDRAILS TO POSTS. FASTENER USAGE FOR ASSEMBLY OF THIS SECTION IS AS FOLLOWS: SET OF 1/2" X 1 1/2" LONG (ITEM #15, 16 AND 22) AT ALL JOINTS EXCEPT HANDRAIL CONNECTIONS. SET OF 1" U-BOLT W/ NUTS & WASHERS (ITEM #13 AND 14) AT HANDRAIL CONNECTIONS TO POSTS.
 3. POSITION OF THE PLATFORM BRACKETS TO BE DETERMINED DURING INSTALLATION. SEE PROJECT SUBMITTAL DOCUMENTATION FOR BRACKET TYPE AND QUANTITY REQUIREMENTS.
 4. ATTACH SAFETY GATE (ITEM #12) AT THE OPEN SIDE OF THE PLATFORM USING THE 5/8" HARDWARE THAT COMES WITH THE SAFETY GATE. POSITION GATE SO THAT IT CAN BE PUSHED TO ACCESS THE PLATFORM FROM THE LADDER AND MUST BE PULLED OPEN TO ACCESS THE LADDER FROM THE PLATFORM.
 5. THIS LADDER SECTION IS CONNECTED AT THE BOTTOM TO ANY ONE OF THE LADDER SECTIONS ILLUSTRATED ON THE FOLLOWING CONSTRUCTION DETAIL DRAWINGS:
 - 1008902 LADDER SECTION - INTERMEDIATE
 - 1008903 LADDER SECTION - LONGS BOTTOM
 - 1008904 LADDER SECTION - SHORT BOTTOM
 6. RIGHT HAND PLATFORM MOUNT IS SHOWN. DEPENDENT ON SITE REQUIREMENTS, THE PLATFORM MAY BE MOUNTED ON THE LEFT HAND SIDE OF THE LADDER.
 7. ATTACH PIPE CAPS (ITEM #19) TO EACH HANDRAIL, ONE ON EACH END.
 8. VERIFY ALL QUANTITIES SHOWN.



ELEVATION 1
1/4" = 1'-0"

SEE 1/4" ONE INCH ON ORIGINAL DRAWING
IF NOT ONE INCH ON THIS SHEET, QUOTE SIZES ACCORDINGLY

REVISIONS		
NO	DATE	DESCRIPTION



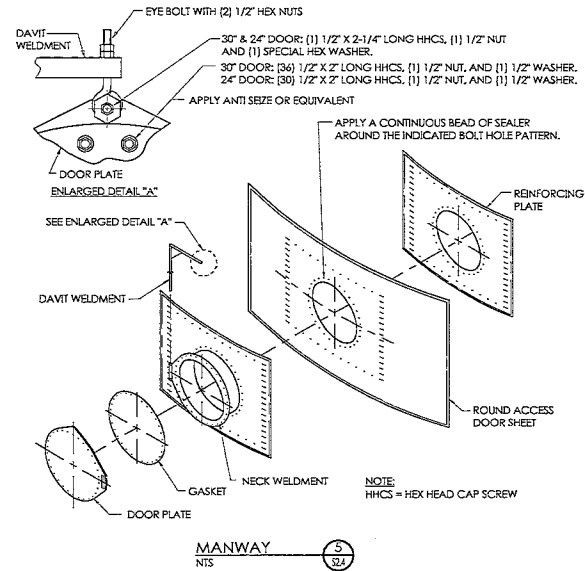
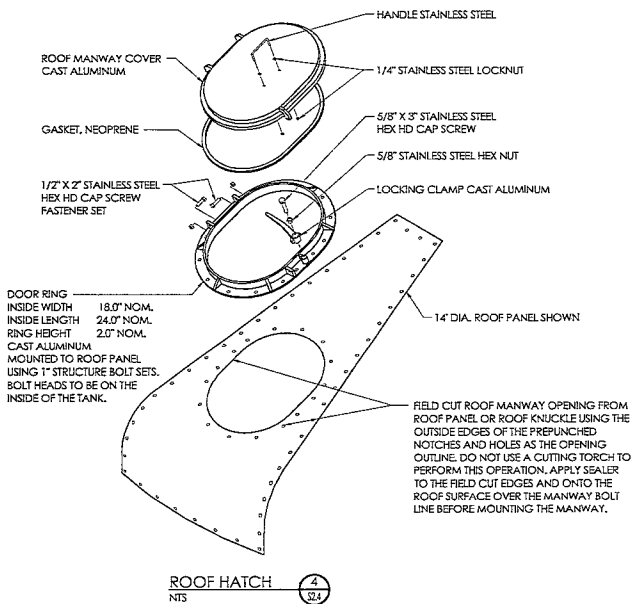
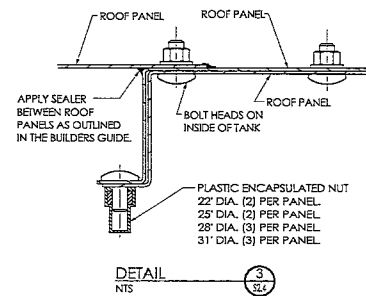
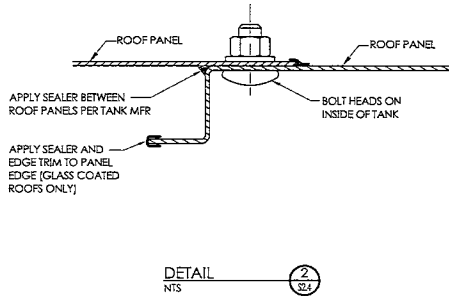
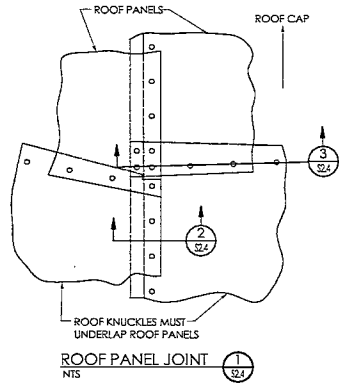
DES: SPW CTD: SPW JOB NO.
DRN: MSWJ/F DATE: 12/9/22 3027.02

SIGNED
PRELIMINARY
NOT FOR
CONSTRUCTION

ORICK COMMUNITY SERVICES DISTRICT
WATER SYSTEM IMPROVEMENTS PROJECT TANK 2 REPLACEMENT

TANK DETAILS

SHEET
S2.3
PG 13 OF 28



SCALE IS ONE INCH ON ORIGINAL DRAWING
 0" 1"
 IF NOT ONE INCH ON THIS SHEET, AS NOTED SCALES ACCORDINGLY

REVISIONS	
NO.	DATE

PACE ENGINEERING

DSE SPW CND SPW JOB NO.
 DRN JF DATE 12/9/22 3027.02

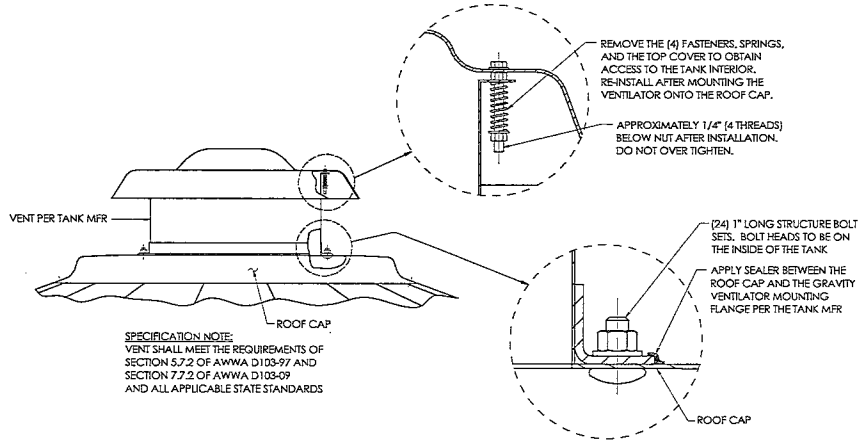
SIGNED
 PRELIMINARY
 NOT FOR
 CONSTRUCTION

ORICK COMMUNITY SERVICES DISTRICT
 WATER SYSTEM IMPROVEMENTS PROJECT TANK 2 REPLACEMENT

TANK DETAILS

SHEET
S2.4
 PG 14 OF 28

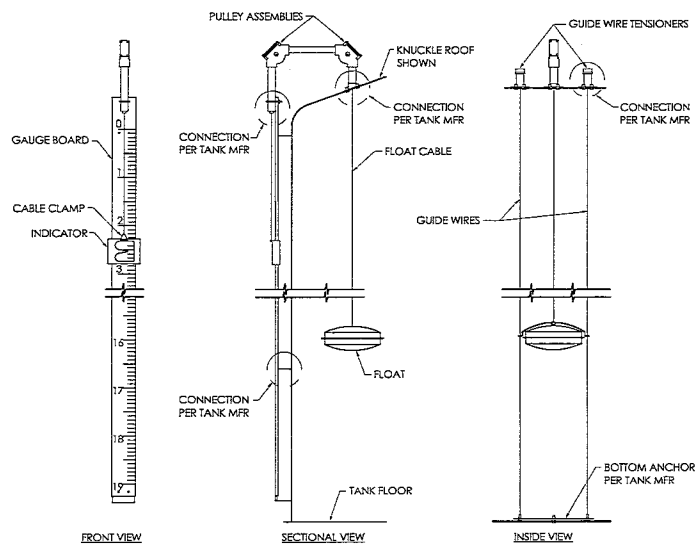
1/17/2023 9:56:51 AM
 C:\Work\Local Files\3027.02 - Orick CSID\3027.02_Orick T2D1.dwg (1/17/2023)



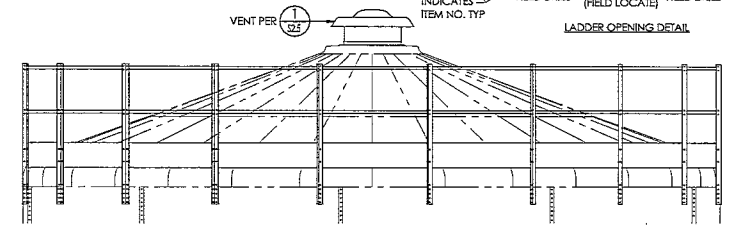
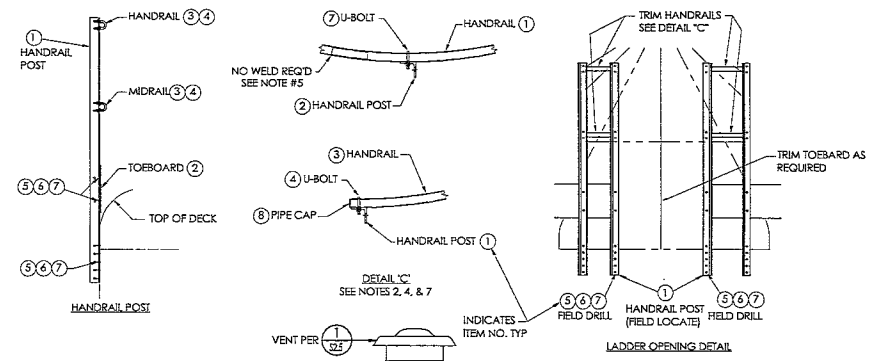
SPECIFICATION NOTE:
VENT SHALL MEET THE REQUIREMENTS OF SECTION 5.7.2 OF AWWA D103-97 AND SECTION 7.7.2 OF AWWA D103-09 AND ALL APPLICABLE STATE STANDARDS

GRAVITY VENTILATOR GENERAL CONSTRUCTION:
HOUSING COVER AND SUPPORT MEMBERS - ALUMINUM
INSECT SCREEN - 23 TO 25 MESH .0135"/.0145" DIA. POLYESTER MONOFILAMENT WIRE
BIRD SCREEN - .063 THICK ALUMINUM .5 X .75 EXPANDED MESH

VENT DETAIL
NTS (1) (32.5)



LEVEL INDICATOR DETAIL
NTS (2) (32.5)



- NOTES:**
- 1) THIS PERIMETER GUARDRAIL SHALL BE DESIGNED BY THE TANK MFR TO COMPLY WITH OSHA/CALOSHA REQUIREMENTS, UNO.
 - 2) THIS PERIMETER GUARDRAIL IS DESIGNED AS CONTINUOUS RAILING, ALL OPENINGS IN GUARDRAIL SHALL BE FIELD CUT.
 - 3) DO NOT TIGHTEN U-BOLTS UNTIL GUARDRAIL IS COMPLETELY POSITIONED.
 - 4) DO NOT CUT RAILING UNTIL AFTER ENTIRE RAIL IS POSITIONED IN THE U-BOLTS.
 - 5) DO NOT POSITION SPLICED PORTION OF RAILING AT U-BOLT.
 - 6) SPLICES ARE ACCOMPLISHED BY INSERTING THE SWAGED END OF RAIL INTO THE LARGER OPEN END OF RAILING.
 - 7) PIPE CAPS USED AT OPENINGS WILL NOT FIT SWAGED END OF PIPE.

DESCRIPTION	ITEM
CAP END 1-1/2" POP ON PLASTIC	(6)
HEX NUT, 1/2"	(7)
WASHER, FLAT 1/2"	(6)
STRUCTURE BOLT, 1-1/4"	(5)
U-BOLT, 1"	(4)
HANDRAIL SECTION	(3)
TOEBOARD SECTION	(2)
HANDRAIL POST	(1)
PERIMETER HANDRAIL ASSY-KNUCKLE	-

PERIMETER GUARDRAIL
NTS (3) (32.5)

BAR IS ONE INCH ON ORIGINAL DRAWING

0" 1"

IF NOW ONE INCH ON THIS SHEET, ACTUAL SCALES ACCORDINGLY

REVISIONS

NO	DATE	DESCRIPTION

PACE ENGINEERING

DES: SPW CDD: SPW JOB NO. 12/9/22 3027.02
DRN: JF DATE: 12/9/22 3027.02

SIGNED

PRELIMINARY
NOT FOR
CONSTRUCTION

ORICK COMMUNITY SERVICES DISTRICT
WATER SYSTEM IMPROVEMENTS PROJECT TANK 2 REPLACEMENT

TANK DETAILS

SHEET

S2.5

PG 15 OF 28

ELECTRICAL SYMBOLS			
LINE TYPES AND SYMBOLS		CONDUIT EXPOSED	
		CONDUIT CONCEALED OR BURIED	
		INDICATES FIRE RATED WALL	
		CONDUIT DOWN	
		CONDUIT UP	
		HOME RUN DESTINATION SHOWN	
		TICK MARKS WITH ARCS INDICATES NUMBER OF #10 CONDUCTORS WITH #10 GROUND	
		TICK MARKS WITHOUT ARCS INDICATES NUMBER OF #12 CONDUCTORS WITH #12 GROUND	
		TICK MARKS WITHOUT ARCS INDICATES #18 SOLID PAIR WITH ASSOCIATED POWER CONDUCTORS	
	DEVICES, BOXES AND TERMINATIONS		CONNECTION POINT (CONTRACTOR SHALL DETERMINE CONNECTION CONFIGURATION)
		PORCELAIN LAMP HOLDER WITH PULL CHAIN AND INTEGRAL RECEPTACLE (BY VAC LIGHT PLUG ONLY)	
		JUNCTION BOX	
		LOW VOLTAGE DEVICE BOX	
		DUPLEX RECEPTACLE	
		QUADRUPLUX RECEPTACLE	
		EMERGENCY RECEPTACLE	
		CONTROLLED SPLIT DUPLEX RECEPTACLE	
		QUADRUPLUX RECEPTACLE: (1) CONTROLLED SPLIT DUPLEX RECEPTACLE, (1) DUPLEX RECEPTACLE	
		SINGLE OR THREE PHASE RECEPTACLE, SEE PLAN SHEETS TYPE PER LOCATION	
EQUIPMENT		FUSED DISCONNECT	42A/50F W/P NEMA-3R
		NON-FUSED DISCONNECT	60A DISCONNECT NEMA-3R
		MAJOR ELECTRICAL COMPONENT OR DEVICE NAME OR IDENTIFYING SYMBOL AS SHOWN.	
		RECESS MOUNT PANELBOARD	
		SURFACE MOUNT PANELBOARD	
		BIOTHERMIC WELD, TERMINATION OR SPICE POINT	
		GROUND ROD	
		CIRCUIT BREAKER	
		CURRENT TRANSFORMER, NUMBER INDICATED	
		MAGNETIC STARTER	
ANNOTATION		KEYNOTE	
		INDICATES INTERCONNECTION OF PATHWAYS AND/OR CONDUCTORS, E.G., FC-4502, 1/3G (MS: PNL A) INDICATES CONDUIT AND CONDUCTORS ROUTED FROM THE MAIN SWITCHBOARD TO PANELBOARD A.	
NOTE	<p>1. THIS IS A SUPPLEMENTAL STANDARD ELECTRICAL LEGEND. SOME SYMBOLS MAY APPEAR ON THIS LEGEND AND NOT ON THE PLANS. SEE LIGHTING CONTROL SHEET FOR LIGHTING LEGEND.</p> <p>2. DEVICE BOXES ARE ASSIGNED TO CENTER OF DEVICE ON PLANS UNLESS OTHERWISE NOTED.</p>		

ELECTRICAL ABBREVIATIONS	
A	- AMMETER, AMPERE
ACH	- AESTHETIC CURRENT
AFBI	- ABOVE COUNTER HEIGHT
AFCI	- ARC FAULT CIRCUIT INTERRUPT
AFI	- ABOVE FINISHED FLOOR OR GRADE
AIC	- AMPS INTERRUPTING CAPACITY
AL	- ALUMINUM
ATS	- AUTOMATIC TRANSFER SWITCH
BOES	- BUILDING GROUND ELECTRODE SYSTEM
BSR	- BRAKER
BOD	- BOTTOM OF DEVICE
CEC	- CALIFORNIA ELECTRICAL CODE
C or COND	- CONDUIT
CAB	- CABINET
CC	- CIRCUIT
COD	- CENTER OF DEVICE
CP	- CONTROL PANEL
CR	- CONTROLLED RECEPTACLE
CT	- CURRENT TRANSFORMER
CC	- CIRCUIT CURRENT
(S) or EXIST	- EXISTING
EEOR	- ELECTRICAL ENGINEER OF RECORD
EFC	- EQUIPMENT GROUNDING CONDUCTOR
ENC	- ENCLOSURE
F	- FUTURE
FACP	- FIRE ALARM CONTROL PANEL
FACU	- FIRE ALARM CONTROL UNIT
FSD	- FIRE SMOKE DAMPER
G	- EQUIPMENT GROUNDING CONDUCTOR
GND	- GROUND
GEC	- GROUNDING ELECTRODE CONDUCTOR
GFCI	- GROUND FAULT CIRCUIT INTERRUPT
J	- JUNCTION BOX
LAUN	- LAUNDRY
LCP	- LIGHTING CONTROL PANEL
LIC	- LIGHTING
MBJ	- MAIN BONDING JUMPER
MCB	- MAIN CIRCUIT BREAKER
MFR	- MANUFACTURER
MLO	- MAIN LUG ONLY
MOCIP	- MAXIMUM OVERCURRENT PROTECTION
M	- MOTOR
MSB	- MAIN SWITCH BOARD
MTS	- MANUAL TRANSFER SWITCH
NEC	- NATIONAL ELECTRIC CODE
NEMA	- NATIONAL ELECTRIC MANUFACTURERS ASSOCIATION
N	- NEUTRAL
NI	- NEW
OFI	- OWNER FURNISHED, CONTRACTOR INSTALLED
OFOI	- OWNER FURNISHED, OWNER INSTALLED
PS	- PULLBOX
PNL	- PANELBOARD
PLR	- PLUG LOAD RELAY
RCPT	- RECEPTACLE
RM	- ROOM
SWBD	- SWITCHBOARD
SBJ	- SYSTEM BONDING JUMPER
SSJ	- SUPPLY SIDE BONDING JUMPER
T	- THERMOSTAT OR THERM CONDUIT
TD	- TOP OF DEVICE
TR	- TAMPER
TYP	- TYPICAL
V	- VOLTMETER, VOLT
W	- WAIT
WW	- WRENNAY
WP	- WEATHERPROOF (NEMA 3R)
XFMR	- TRANSFORMER

GENERAL NOTES

NOTE

- DO ALL WORK AND INSTALL PRODUCTS IN ACCORDANCE WITH APPLICABLE NECA REQUIREMENTS, APPLICABLE STATE LAWS, LOCAL LAWS, CODES AND ORDINANCES. THE CONTRACTOR SHALL ADHERE TO THE SPECIFIC PRODUCT AND INSTALLATION REQUIREMENTS OF THE UTILITY COMPANIES AND MANUFACTURERS PROVIDING MATERIALS TO THE JOB. CONTRACTS, IF ANY, WILL BE RESOLVED AT THE DISCRETION OF THE EOR.
- IT IS OF THE UTMOST IMPORTANCE THAT THE INSTALLING CONTRACTOR HAVE A MASTERY OF THE PROJECT-SPECIFIC REQUIREMENTS SHOWN IN SPECIFICATIONS AND CONSTRUCTION DRAWINGS. IT IS STRONGLY ADVISED THAT THE CONTRACTOR CONTACT THE EOR FOR CLARIFICATION OR FOR THE EOR IF FURTHER INFORMATION IS REQUIRED. THE EOR SHALL RESOLVE REVISIONS TO BE MADE IN THE FIELD IF THE INSTALLATION DOES NOT FALL WITHIN THESE PROJECT-SPECIFIC GUIDELINES. NO ALLOWANCE SHALL BE MADE FOR INSTALLATIONS NOT ADHERING TO THESE REQUIREMENTS.

<p>SCALE: 1/8\"/> </p>	<p>REVISIONS</p> <table border="1"> <thead> <tr> <th>NO.</th> <th>DATE</th> <th>DESCRIPTION</th> </tr> </thead> <tbody> <tr><td> </td><td> </td><td> </td></tr> <tr><td> </td><td> </td><td> </td></tr> <tr><td> </td><td> </td><td> </td></tr> </tbody> </table>		NO.	DATE	DESCRIPTION										<p>PACE ENGINEERING</p>	<p>SIGNED</p> <p>PRELIMINARY NOT FOR CONSTRUCTION</p>	<p>ORICK COMMUNITY SERVICES DISTRICT WATER SYSTEM IMPROVEMENTS PROJECT TANK 2 REPLACEMENT</p> <p>ELECTRICAL ABBREVIATIONS</p>	<p>SHEET</p> <p>E1.0</p> <p>PG 16 OF 28</p>
	NO.	DATE	DESCRIPTION															
<p>DES: BRO/SAM DWN: BRW/BW</p>	<p>CDD: TS DATE: 12/7/22</p>	<p>JOB NO. 3027.02</p>																

12/7/2022 10:23:28 AM
C:\Users\lrom\OneDrive\Documents\ORICK_CDD_12/7/2022.dwg

KEYNOTES

(O) NOTE

1. PROVIDE AND INSTALL NEW 20A CIRCUIT BREAKER IN SPACE INDICATED. BREAKER SHALL BE OF THE SAME TYPE AND RATING AS EXISTING. CONNECT NEW LOAD AS INDICATED. PROVIDE NEW PRINTED PANEL SCHEDULE.


BRANCH PANEL		TANK 2		120/240 Single		AIC RATING		10,000					
LOCATION		OUTSIDE		VOLTS		BUS RATING		100 A					
MOUNTING TYPE		SURFACE		WIRES		BUS RATING		100 A					
ENCLOSURE TYPE		NEMA 3R		CIRCUITS		MAIN BREAKER		100 A					
(LABEL PANELBOARDS ACCORDING TO NAMING CONVENTIONS LISTED IN ELECTRICAL SPECIFICATIONS)													
CKT	HOME RUN	LOAD NAME	TRIP	INT TYPE	A	B	A	B	INT TYPE	TRIP	LOAD NAME	HOME RUN	CKT
1	3/4"C-2#12,1#12G	PNL-T2	20 A		180 VA	0 VA	0 VA	0 VA		20 A	SPACE	--	2
3	--	SPACE	20 A		0 VA	0 VA	0 VA	0 VA		20 A	SPACE	--	4
5	--	SPACE	--		--	--	--	--		--	SPACE	--	6
7	--	SPACE	--		--	--	--	--		--	SPACE	--	8
9	--	SPACE	--		--	--	--	--		--	SPACE	--	10
11	--	SPACE	--		--	--	--	--		--	SPACE	--	12
					PHASE A		PHASE B		Notes: ** PROVIDE BREAKER LOCKABLE IN THE "OFF" POSITION.				
					TOTAL LOAD (VA)		180 VA		0 VA		*** PROVIDE BREAKER WITH RED HANDLE AND MECHANICAL HOLD.		
					TOTAL LOAD (AMPS)		2		0				

[E] BRANCH PANEL		P-1		120/240V		AIC RATING		200A		
LOCATION		OFFICE BUILDING		VOLTS		BUS RATING		200A		
MOUNTING		MCC		WIRES		MAIN BREAKER		200A		
				CIRCUITS		200A				
(LABEL PANELBOARDS ACCORDING TO NAMING CONVENTIONS LISTED IN ELECTRICAL SPECIFICATIONS)										
CKT	COMMENT	TRIP	A	B	A	B	TRIP	COMMENT	CKT	
1	[E] EXTERIOR LIGHTING	20A	10	0	10	0	20A	[E] INT. LIT. & VENT FAN	2	
3	[E] SPARE	20A	0	0	10	10	20A	[E] INT. RECEPT	4	
5	[E] CONTROL ALARM	20A	5	0	10	0	20A	[E] LOAD	6	
7	[E] CF-2	20A	0	0	3	15	30A	[E] OFFICE	8	
9	[E] SPACE	--	0	0	15	15	30A	[E] OFFICE	10	
11	[E] SPACE	--	0	0	0	0	20A	[E] SPACE	12	
					PHASE A		PHASE B			
					TOTAL LOAD (AMPS):		50		28	

1/8" IS ONE INCH ON ORIGINAL DRAWING

1" IS ONE INCH ON THIS SHEET. ADJUST SCALES ACCORDINGLY

REVISIONS	
NO	DATE



DES: BSO/JSM CD: TB JOB NO. 3027.02
 DRN: BSO/BW DATE: 12/29/22

SIGNED

PRELIMINARY
NOT FOR
CONSTRUCTION

ORICK COMMUNITY SERVICES DISTRICT
 WATER SYSTEM IMPROVEMENTS PROJECT TANK 2 REPLACEMENT

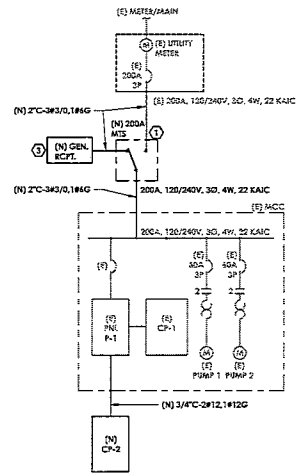
PANEL SCHEDULES

SHEET

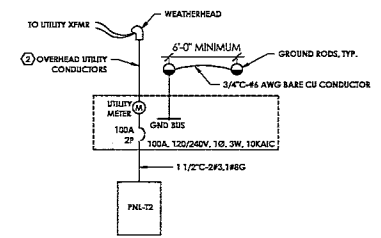
E2.0

PG 17 OF 28

- KEYNOTES**
- (1) NOTE
- DISCONNECT AND REMOVE EXISTING CONDUCTORS. PROVIDE AND INSTALL NEW MET. GEN RECEPT, CONDUIT, AND CONDUCTORS.
 - COORDINATE THE INSTALLATION OF THE OVERHEAD UTILITY CONDUCTORS WITH PG&E. CONTRACTOR IS RESPONSIBLE FOR ALL CONSTRUCTION MEETINGS, APPLICATIONS, AND FEES. GREEN TAG SHALL BE PROVIDED BY EOR.
 - PROVIDE AND INSTALL AMPERON ACRESERIES RECEPTACLE ON THE GENERATOR AND OFFICE BUILDING. PROVIDE MANUFACTURER MOUNTING BOX ON OFFICE BUILDING. PROVIDE BOTH 2W/2P AND 3W/2P RECEPTACLES ON GENERATOR. PROVIDE 200A 50 CABLES #3/0L1 #4G.



ONE-LINE DIAGRAM - OFFICE (1) E2



ONE-LINE DIAGRAM - TANK 2 (2) E3

BAR IS ONE INCH ON ORIGINAL DRAWING
0" = 1" = 1"
IF NOT ONE INCH ON THE SHEET, ADJUST SCALES ACCORDINGLY

REVISIONS	
NO	DESCRIPTION



DES: EBO/SM CDD: TB JOB NO.:
DRN: EBO/BSW DATE: 12/22/22 3027.02

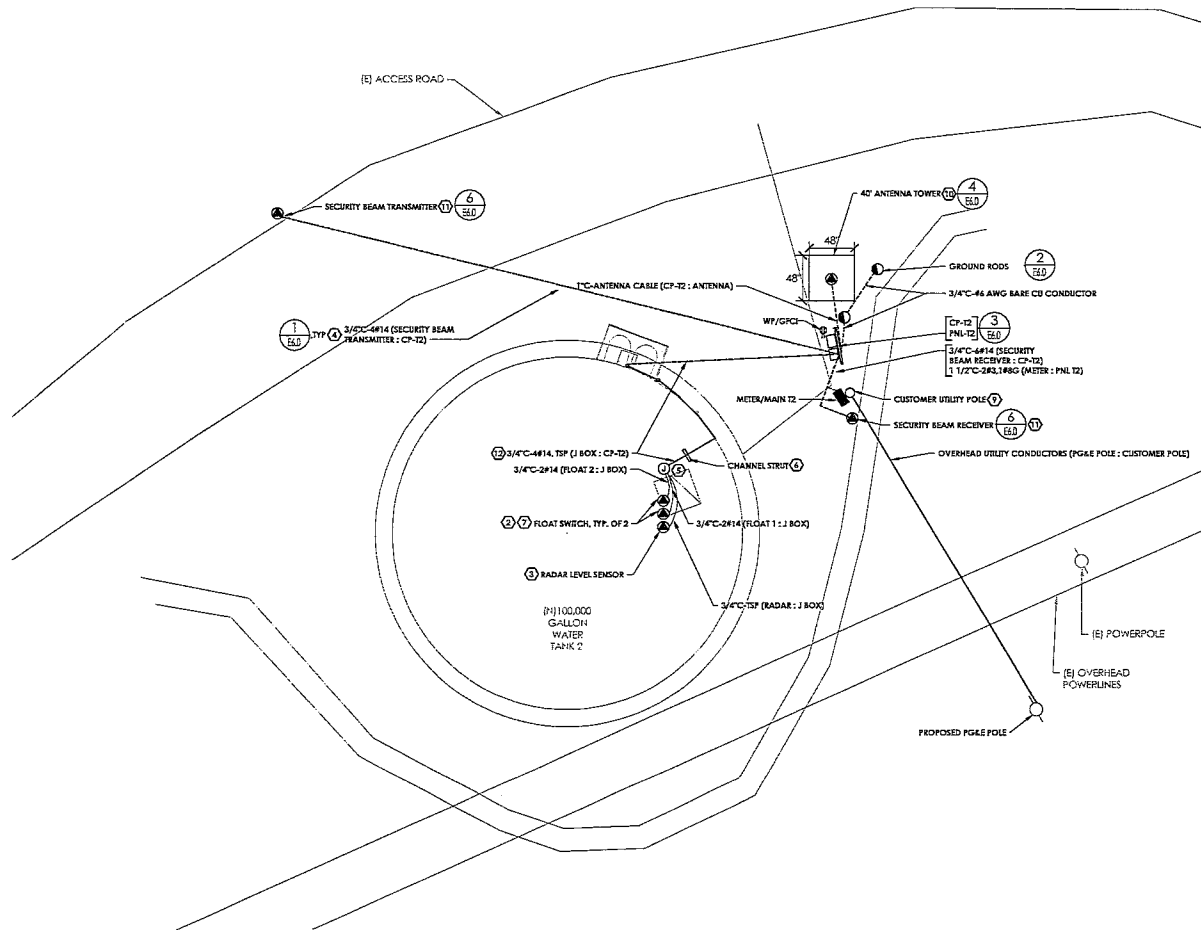
SIGNED
PRELIMINARY
NOT FOR
CONSTRUCTION

ORICK COMMUNITY SERVICES DISTRICT
WATER SYSTEM IMPROVEMENTS PROJECT TANK 2 REPLACEMENT

ONE LINE DIAGRAM

SHEET
E3.0
PG 18 OF 28

1/17/2022 10:23:32 AM
C:\New Local Files\3027.02\18 ORICK CSD_P\WRS\18 E3.0



- KEYNOTES**
- (1) NOTE
- SEE ONE-LINE DIAGRAM.
 - MOUNT FLOATS AT THE SAME HEIGHT AS THE FLOATS AT THE EXISTING TANK 1. COORDINATE WITH OWNER.
 - MOUNT ACCORDING TO MFR RECOMMENDATIONS WITH MFR FLANGED KIT.
 - ALL UNDERGROUND CONDUIT ARE TO BE A MINIMUM OF 1'6" AWAY FROM THE FOOTING WHEN RUNNING PARALLEL TO THE FOOTING.
 - TANK MANUFACTURER SHALL PROVIDE 6" CHANNEL STRUT FOR MOUNTING JUNCTION BOX.
 - TANK MANUFACTURER SHALL PROVIDE 6" CHANNEL STRUT FOR MOUNTING CONDUIT.
 - TANK MANUFACTURER SHALL PROVIDE INDIVIDUAL HOOKS FOR MOUNTING EACH FLOAT AND RADAR.
 - SEE S2.3 FOR MOUNTING CONDUIT TO LADDER.
 - PROVIDE AND INSTALL CUSTOMER UTILITY POLE PER PG&E REQUIREMENTS. SEE PG&E DESIGN.
 - GROUND PER MANUFACTURER RECOMMENDATIONS.
 - SECURITY BEAM TO BE MOUNTED SO THAT BEAM IS 3' ABOVE GRADE.
 - ROUTE CONDUIT ON THE OUTSIDE OF TANK SUPPORTING AT INTERVALS NOT EXCEEDING 8'-0" TO THE TOP OF THE TANK. CONTINUE CONDUIT ALONG RAILING SUPPORTING EVERY 8'-0" TO THE TOP OF THE TANK. CONTRACTOR SHALL NOT ADD ANY STRUT TO THE TOP OF THE TANK ROOF WITHOUT APPROVAL OF THE TANK MANUFACTURER. ALL STRUT ADDED SHALL BE PROVIDED AND COORDINATED WITH THE TANK MANUFACTURER DURING MANUFACTURING OF THE TANK.

- GENERAL NOTES**
- # NOTE
- SPLICE CONDUCTORS WITH MFR CABLES NOT LONG ENOUGH TO REACH FINAL CONNECTION POINT. SPLICES SHALL BE DONE WITH POLARIS OR APPROVED EQUAL SPLICE KIT.
 - ALL EXPOSED CONDUIT SHALL BE PVC COATED GHS.

ELECTRICAL PLAN - TANK 2
 3/16" = 1'-0"
 1 E4.0

NO	DATE	DESCRIPTION

PACE ENGINEERING

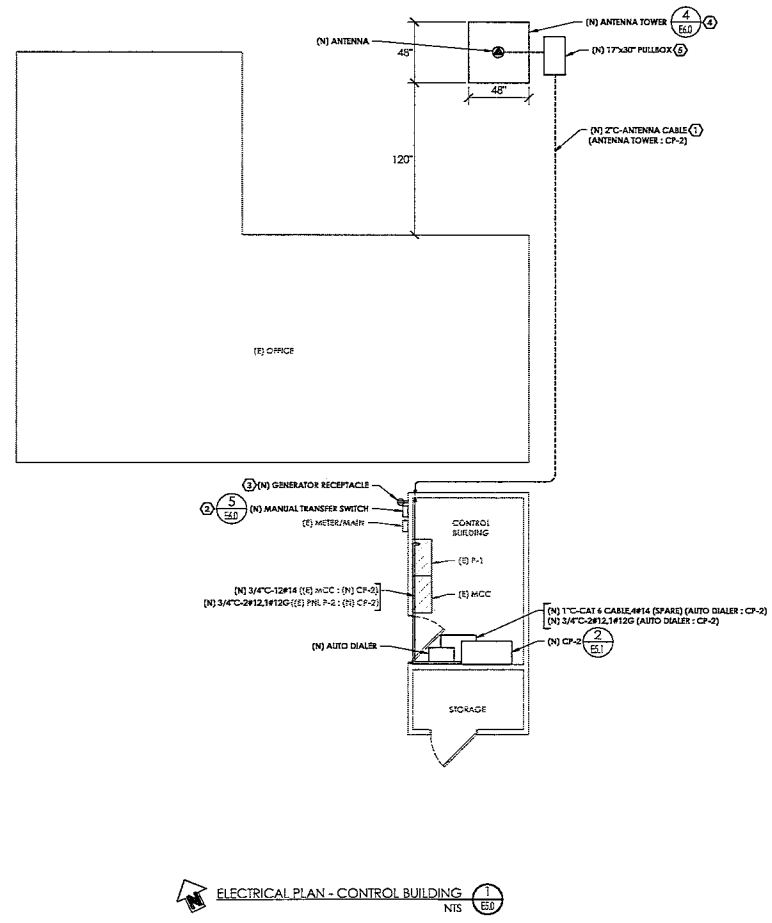
DES: BBO/SM CDD: TS JOB NO. 3027.02
 DRN: BBO/BW DATE: 12/9/22

SIGNED: _____
 PRELIMINARY
 NOT FOR
 CONSTRUCTION

ORICK COMMUNITY SERVICES DISTRICT
 WATER SYSTEM IMPROVEMENTS PROJECT TANK 2 REPLACEMENT
ELECTRICAL PLAN - TANK 2

SHEET
E4.0
 PG 19 OF 28

KEYNOTES	
KEYNOTE	NOTE
1.	ROUTE CONDUIT FROM CP-2 THROUGH CONTROL ROOM, AND PENETRATE NORTH WALL WITH LB CONDUIT. SEAL PENETRATION WITH APPROVED SEALANT. SUB CONDUIT DOWN AND CONTINUE CONDUIT TO ANTENNA TOWER.
2.	DISCONNECT AND REMOVE EXISTING MANUAL TRANSFER SWITCH AND REPLACE WITH NEW ONE.
3.	REMOVE AND INSTALL APPLETON OR APPROVED EQUAL.
4.	GROUND PER MANUFACTURER'S REQUIREMENTS.
5.	GROUND PER NEC.



ELECTRICAL PLAN - CONTROL BUILDING
N15 E5.0

BAR IS ONE INCH ON ORIGINAL DRAWING
0" = 1" = 1"
IF NOT ONE INCH ON THIS SHEET, ADJUST SCALES ACCORDINGLY

REVISIONS		
NO.	DATE	DESCRIPTION

PACE ENGINEERING

DES: BBO/GM CND: TS JOB NO.
 DRN: BBO/BW DATE: 12/9/22 2022.02

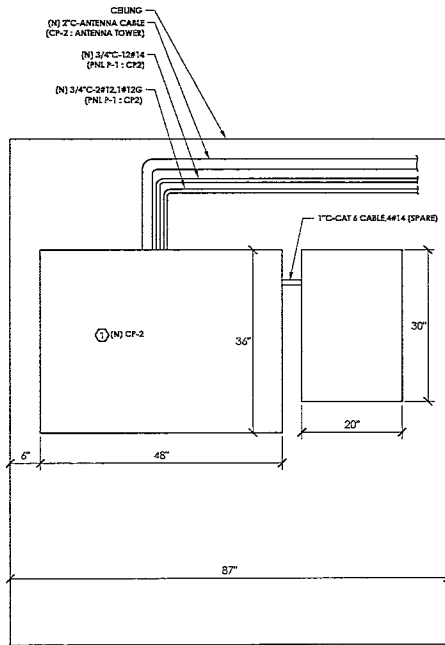
SIGNED
 PRELIMINARY
 NOT FOR
 CONSTRUCTION

ORICK COMMUNITY SERVICES DISTRICT
 WATER SYSTEM IMPROVEMENTS PROJECT TANK 2 REPLACEMENT
 ELECTRICAL PLAN - OFFICE

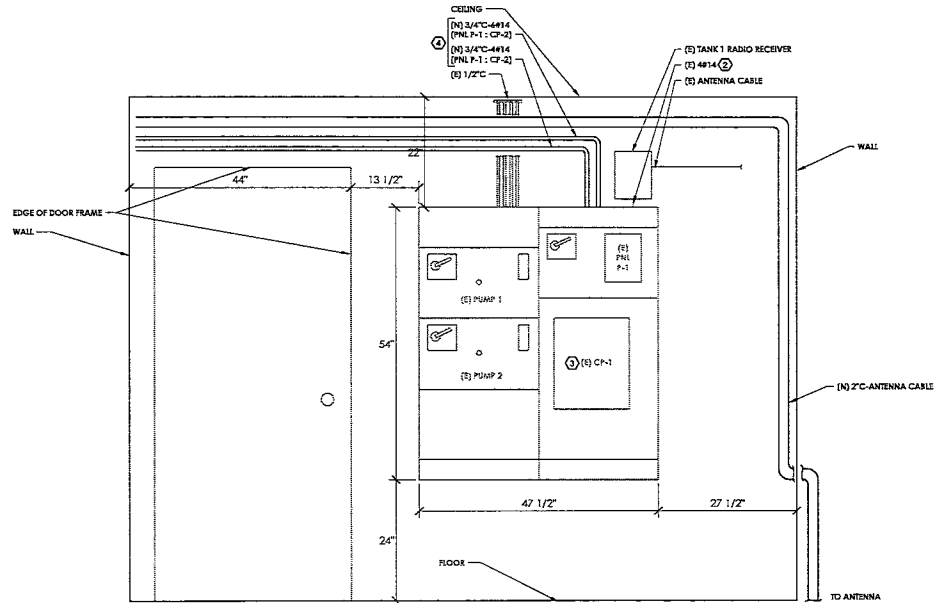
SHEET
E5.0
 PG 20 OF 28

12/17/2022 10:33:31 AM
 C:\Work\Local Files\2022\02\15\ORICK_CSD_PWS\E5.0.dwg

- KEYNOTES**
- (C) NOTE
- EXISTING SHELF TO BE REMOVED BEFORE INSTALLATION OF CP-2.
 - DISCONNECT AND REMOVE EXISTING CONDUCTORS PROVIDING SIGNAL BETWEEN CP-1 AND THE TANK 1 RADIO RECEIVER. CONDUCTORS PROVIDING POWER TO THE TANK 1 RADIO RECEIVER SHALL REMAIN. INDICATE ON TERMINAL BLOCKS INSIDE RECEIVER WHICH TERMINAL BLOCK IS THE TANK 1 LOW SIGNAL.
 - DISCONNECT AND REMOVE ALL CONDUCTORS INSIDE SP-1 AFTER CP-2 HAS BEEN TESTED AND APPROVED BY THE EOR.
 - NEW CONDUIT TO BE INSTALLED IN FRONT OF EXISTING CONDUITS.



NEW CP-2 ELEVATION 1/ES1



EXISTING MCC ELEVATION 2/ES1

SCALE ONE INCH ON ORIGINAL DRAWING

0" 1"

IF NOT ONE INCH ON THIS SHEET, ADJUST SCALES ACCORDINGLY

REVISIONS		
NO	DATE	DESCRIPTION

PACE ENGINEERING

DES: EBO/SM CKD: TB JOB NO. 3027.02

DRN: EBO/BW DATE: 12/1/22

SIGNED

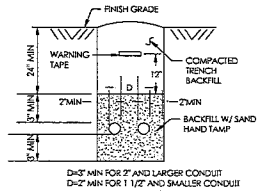
PRELIMINARY NOT FOR CONSTRUCTION

ORICK COMMUNITY SERVICES DISTRICT
 WATER SYSTEM IMPROVEMENTS PROJECT TANK 2 REPLACEMENT
 ELECTRICAL ELEVATIONS

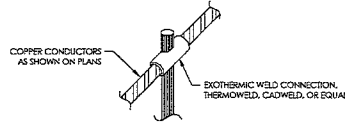
SHEET

E5.1

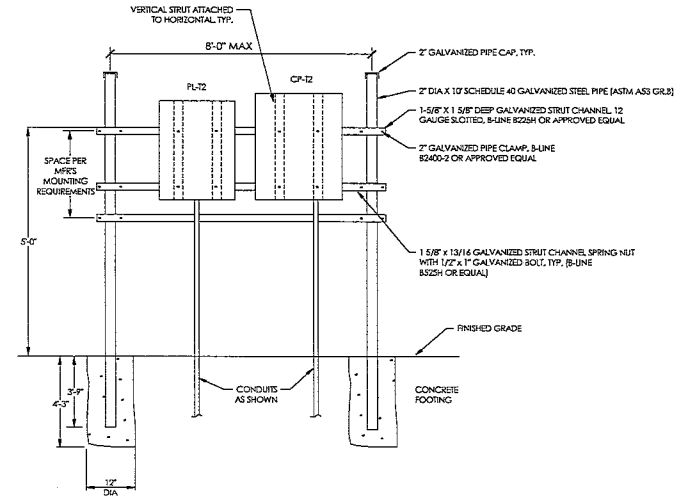
PG 21 OF 28



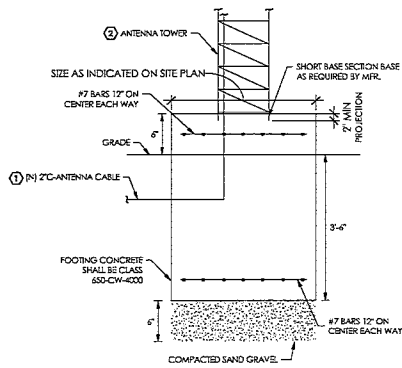
UNDERGROUND CONDUIT 1
NTS E6.0



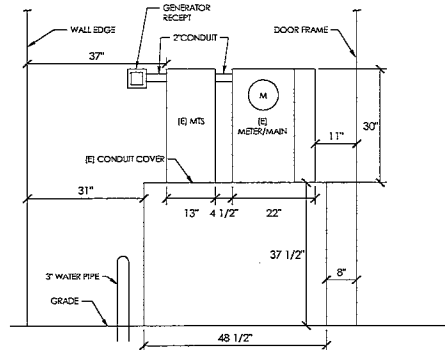
CABLE TO GROUND ROD 2
NTS E6.0



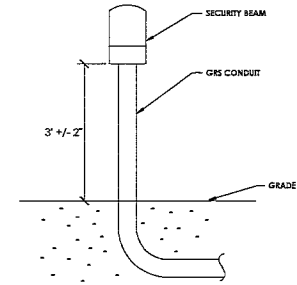
OUTDOOR EQUIPMENT MOUNTING ASSEMBLY 3
NTS E6.0



ANTENNA TOWER BASE CROSS SECTION 4
NTS E6.0



OUTDOOR OFFICE BUILDING EQUIPMENT 5
NTS E6.0



SECURITY BEAM MOUNTING 6
NTS E6.0

SCALE ONE INCH ON ORIGINAL DRAWING
0" 1"
IF NOT ONE INCH ON THIS SHEET, ADJUST SCALES ACCORDINGLY

REVISIONS	
NO.	DESCRIPTION

PACE ENGINEERING

DES: BRB/SM CD: TS JOB NO. 3027.02
 DEN: BRB/BW DATE: 12/9/22

SIGNED: PRELIMINARY NOT FOR CONSTRUCTION

ORICK COMMUNITY SERVICES DISTRICT
 WATER SYSTEM IMPROVEMENTS PROJECT TANK 2 REPLACEMENT
 ELECTRICAL DETAILS

SHEET
E6.0
 PG 22 OF 28

1/7/2022 10:23:33 AM
 C:\Users\lrcell\OneDrive\Documents\ORICK_CSD_J\WRS\011022.H

INSTRUMENTATION SYMBOLS

	CONDUIT EXPOSED
	CONDUIT CONCEALED OR BURIED
	MOTOR, HORSEPOWER INDICATED
	CONVENIENCE RECEPTACLE, DUPLEX UNLESS SPECIFIED OTHERWISE
	NON-FUSED DISCONNECT, SIZE INDICATED 3-POLE UNLESS INDICATED OTHERWISE
	FUSED DISCONNECT, SIZE INDICATED (40V/40-40-SWITCH RATING-40-FUSE RATING) 3-POLE UNLESS INDICATED OTHERWISE
	STARTER MAGNETIC, NEMA SIZE INDICATED
	COMBINATION MAGNETIC STARTER, NEMA SIZE INDICATED
	CONTACT-NORMALLY OPEN W/ NEMA SIZE INDICATED AS APPLICABLE
	CONTACT-NORMALLY CLOSED W/ NEMA SIZE INDICATED AS APPLICABLE
	TIME DELAY RELAY CONTACT, TIMED TO CLOSE
	TIME DELAY RELAY CONTACT, TIMED TO OPEN
	REMOTE DEVICE
	RELAY COIL OR CONTROL RELAY TDR-TIME DELAY RELAY
	OVERLOAD RELAY, BI-ELECTRONIC
	MAGNETIC STARTER W/ NEMA SIZE INDICATED
	CIRCUIT BREAKER, MAGNETIC TRIP ONLY, FRAME SIZE SHOWN, 3-POLE UNLESS INDICATED OTHERWISE
	CIRCUIT BREAKER, THERMAL MAGNETIC TRIP SHOWN, 3-POLE UNLESS INDICATED OTHERWISE
	SWITCH-CURRENT RATING INDICATED, 3-POLE UNLESS INDICATED OTHERWISE
	LIGHTNING ARRESTOR
	FUSE
	GROUNDING SHIELD CONNECTION
	GROUND
	TRANSFORMER, SECONDARY VOLTAGES, PHASE AND RATING INDICATED AS APPLICABLE
	PUSH BUTTON SWITCH, NORMALLY OPEN
	PUSH BUTTON SWITCH, NORMALLY CLOSED
	PUSH-TO-TEST INDICATING LIGHT / LETTER INDICATES COLOR: A-AMBER, B-BLUE, C-CLEAR, G-GREEN, R-RED, W-WHITE
	SELECTOR SWITCH-MAINTAINED CONTACT: X-CLOSED CONTACT POSITION
	MOTOR SPACE HEATER
	FLOW SWITCH OPENS ON INCREASE IN FLOW
	FLOW SWITCH CLOSSES ON INCREASE IN FLOW
	FLOAT SWITCH OPENS ON RISING LEVEL
	FLOAT SWITCH CLOSSES ON RISING LEVEL
	PRESSURE OR VACUUM SWITCH OPENS ON RISING PRESSURE
	PRESSURE OR VACUUM SWITCH CLOSSES ON RISING PRESSURE
	TEMPERATURE SWITCH OPENS ON RISING TEMPERATURE
	TEMPERATURE SWITCH CLOSSES ON RISING TEMPERATURE
	RTU/PLC DISCRETE OUTPUT
	RTU/PLC DISCRETE INPUT
	ELECTRICALLY OPERATED VALVE 5-SOLENOID M-MOTORIZED
	ELECTRICALLY OPERATED 3-WAY VALVE 5-SOLENOID M-MOTORIZED
	MOTOR
	FLOW TRANSMITTER
	LEVEL TRANSMITTER, RANGE INDICATED

NOTE:
1. THIS IS A SUPPLEMENTAL STANDARD INSTRUMENTATION LEGEND. SOME SYMBOLS MAY APPEAR ON THIS LEGEND AND NOT ON THE PLANS.

INSTRUMENTATION ABBREVIATIONS

A	- AMMETER, AMPERE
AC	- ALTERNATING CURRENT
AIC	- ANALYZER INDICATING CONTROLLER
AIR	- AIR OR AIR COMPRESSOR
AT	- ANALYZER INDICATING TRANSMITTER
B	- BLOWER
BCV/S	- SOLENOID BUTTERFLY CONTROL VALVE
BV/M	- MOTORIZED BUTTERFLY CONTROL VALVE
BV/P	- PNEUMATIC BUTTERFLY CONTROL VALVE
BV	- BALL VALVE
BVM	- MOTORIZED BALL VALVE
BVS	- SOLENOID BALL VALVE
BW	- BACKWASH
C	- CONTACTOR/CONTACT
CB	- CIRCUIT BREAKER
CBL	- CABLE
CC	- CHECK
COMP	- COMPRESSOR
CON	- CONVEYOR
COND	- CONDENSATE
CP	- CONTROL PANEL
CPT	- CONTROL PANEL TRANSFORMER
CR	- CONTROL RELAY
DC	- DIRECT CURRENT
DI	- DIGITAL INPUT
DO	- DISSOLVED OXYGEN OR DIGITAL OUTPUT
DPT	- DIFFERENTIAL PRESSURE TRANSMITTER
DS	- DOOR SWITCH
EX	- EXISTING
EF	- EXHAUST FAN
ENC	- ENCLOSURE
ETM	- ELAPSED TIME METER
F or FAN	- FAN
FI	- FLOW INDICATING TRANSMITTER
FS	- FLOW SWITCH
G	- GROUND
GF	- GROUND FAULT CIRCUIT INTERRUPT
H	- HEATER OR HEAT TRACE
HS	- HAND SWITCH
L	- LINE POWER
LA	- LIGHTNING ARRESTOR
LS	- LEVEL SWITCH OR LIMIT SWITCH
LI	- LEVEL INDICATING TRANSMITTER
M	- MOTOR OR FLOW METER ELEMENT
MCC	- MOTOR CONTROL CENTER
MFR	- MANUFACTURER
N	- NEUTRAL
NA	- NON-AUTOMATIC
NEC	- NATIONAL ELECTRIC CODE
NEMA	- NATIONAL ELECTRIC MANUFACTURERS ASSOCIATION
OIF	- OPERATOR INTERFACE TERMINAL
OL	- OVERLOAD RELAY
P	- PUMP
PB	- PULL BOX
PI	- PRESSURE INDICATING TRANSMITTER
PLC	- PROGRAMMABLE LOGIC CONTROLLER
PNL	- PANELBOARD
PS	- PRESSURE SWITCH
PV/M	- MOTORIZED PLUG VALVE
QL	- INDICATING LIGHT
REC/P	- RECEPTACLE
REU	- REMOTE TELEMETRY UNIT
RW	- RECYCLE WATER
SPD	- SURGE PROTECTION DEVICE
SV	- SOLENOID VALVE
SW	- SWITCH
T	- TELL CONDUIT OR TURBIDIMETER
TDR	- TIME DELAY RELAY
TS	- THERMOSTAT OR TEMPERATURE SWITCH
TT	- TEMPERATURE INDICATING TRANSMITTER
TY	- TYPICAL
UH	- UNIT HEATER
UV	- ULTRAVIOLET TRANSMITTANCE TRANSMITTER
UPS	- UNINTERRUPTIBLE POWER SUPPLY
UV	- ULTRAVIOLET
UVT	- ULTRAVIOLET TRANSMITTANCE
V	- VOLTMETER, VOLT
VFD	- VARIABLE FREQUENCY DRIVE
VIT	- VACUUM INDICATING TRANSMITTER
W	- WAIT
WT	- WEIGHT INDICATING TRANSMITTER
WP	- WEATHERPROOF (NEMA 4)
TRFR	- TRANSFORMER
ZS	- ZERO SPEED SWITCH

NOTE: THIS IS A SUPPLEMENTAL STANDARD LEGEND. SOME SYMBOLS OR ABBREVIATIONS MAY APPEAR ON THIS LEGEND AND NOT ON THE PLANS.

SCALE ONE INCH ON ORIGINAL DRAWING
0" = 1" = 1"
IF NOT ONE INCH ON THIS SHEET, ADJUST SCALES ACCORDINGLY

REVISIONS		
NO.	DATE	DESCRIPTION

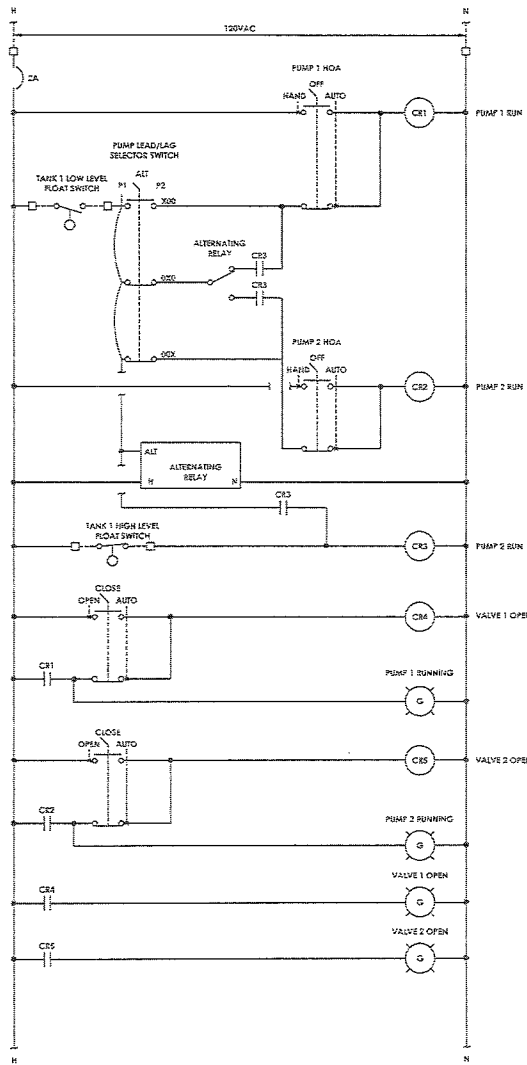
PACE ENGINEERING

DVS BBO/DM CDO TB JOR NO.
DRN BBO/DM DATE 12/9/22 3027.02

SIGNED
PRELIMINARY
NOT FOR
CONSTRUCTION

ORICK COMMUNITY SERVICES DISTRICT
WATER SYSTEM IMPROVEMENTS PROJECT TANK 2 REPLACEMENT
INSTRUMENTATION SYMBOLS AND ABBREVIATIONS

SHEET
11.0
PG 23 OF 28



(E) CP-1 CONTROL DIAGRAM

SCALE ONE INCH ON ORIGINAL DRAWING
 0" 1"
 IF NOT ONE INCH ON THIS SHEET, ADJUST SCALES ACCORDINGLY

REVISIONS	
NO.	DESCRIPTION

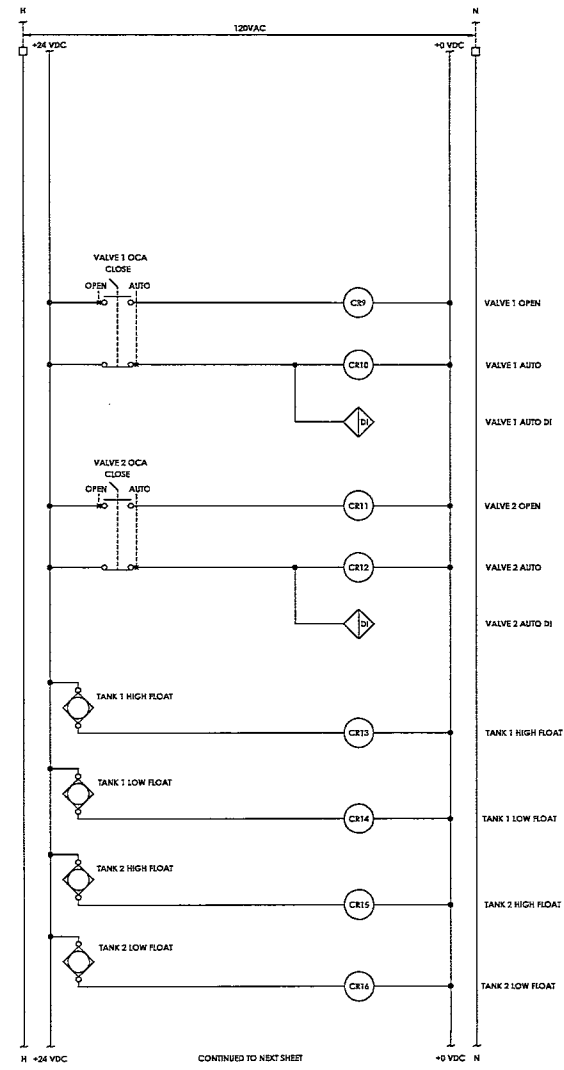
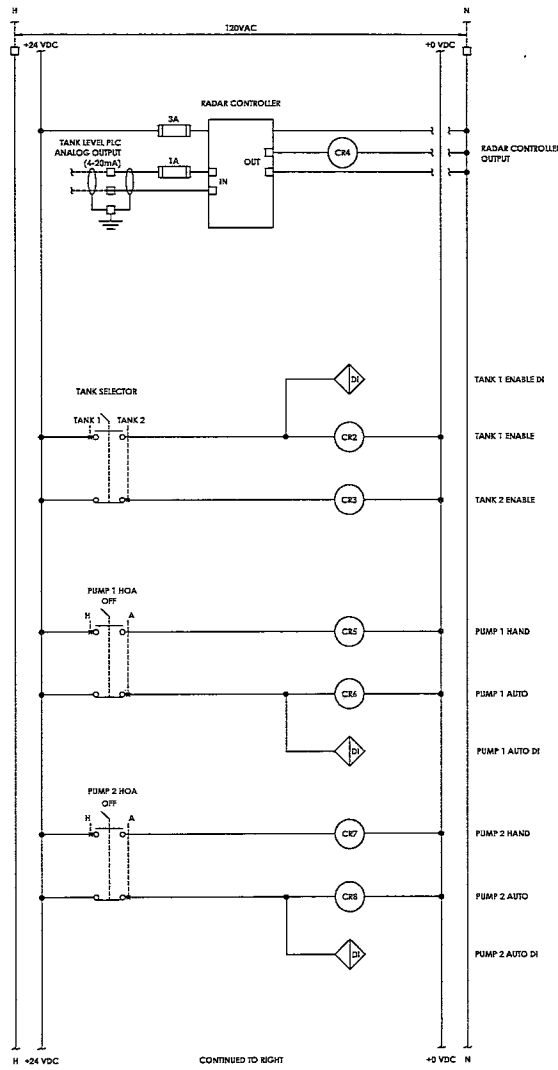
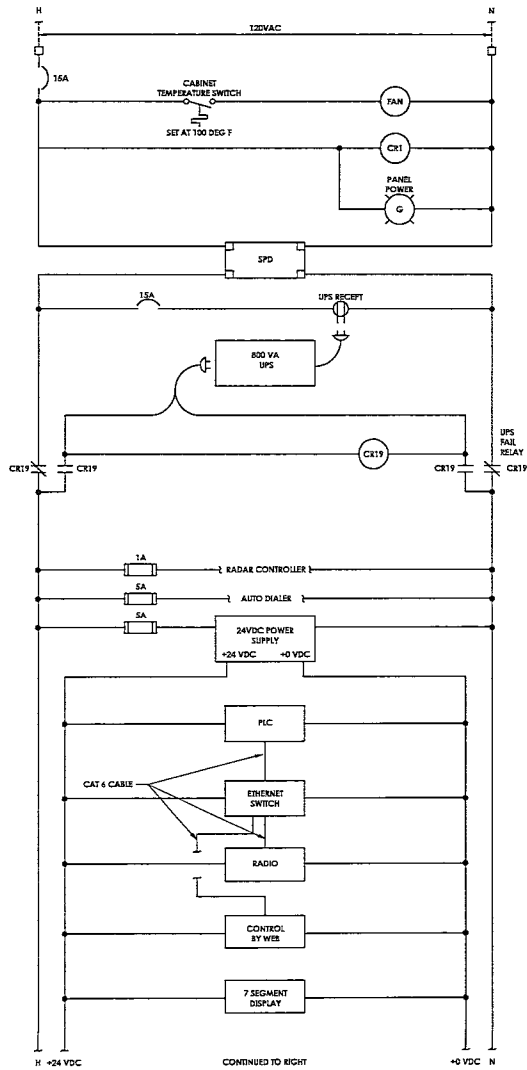
DES: BBO/SM CTD: TB JOB NO.:
 DRN: BBO/SM DATE: 12/9/22 3027.02

SIGNED
 PRELIMINARY
 NOT FOR
 CONSTRUCTION

ORICK COMMUNITY SERVICES DISTRICT
 WATER SYSTEM IMPROVEMENTS PROJECT TANK 2 REPLACEMENT
 EXISTING DISTRICT OFFICE CONTROL DIAGRAMS

SHEET
12.0
 PG 24 OF 28

1/17/2022 10:23:34 AM
 C:\North\Local Files\3027.02\JHE ORICK_CSD_3\WORK\12.0.rvt



SCALE DIMENSION ON ORIGINAL DRAWING

0" = 1"

IF NOT DIMENSION ON THIS SHEET, ADJUST SCALES ACCORDINGLY

REVISIONS	
NO	DESCRIPTION

PACE ENGINEERING

DRN 880 CND TB JOB NO. 3027.02

DATE 12/9/22

SIGNED

PRELIMINARY NOT FOR CONSTRUCTION

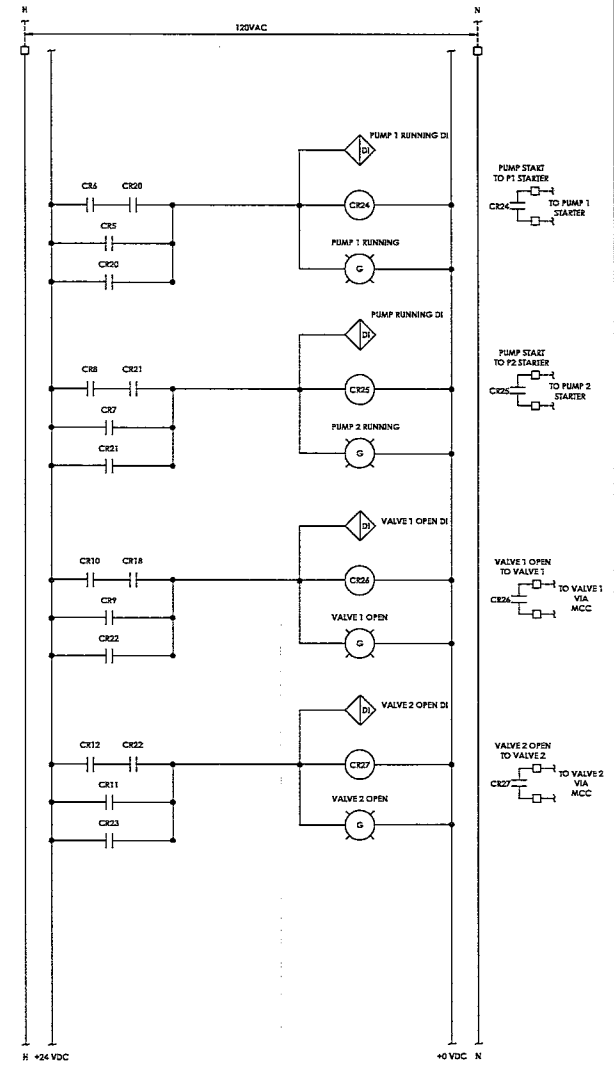
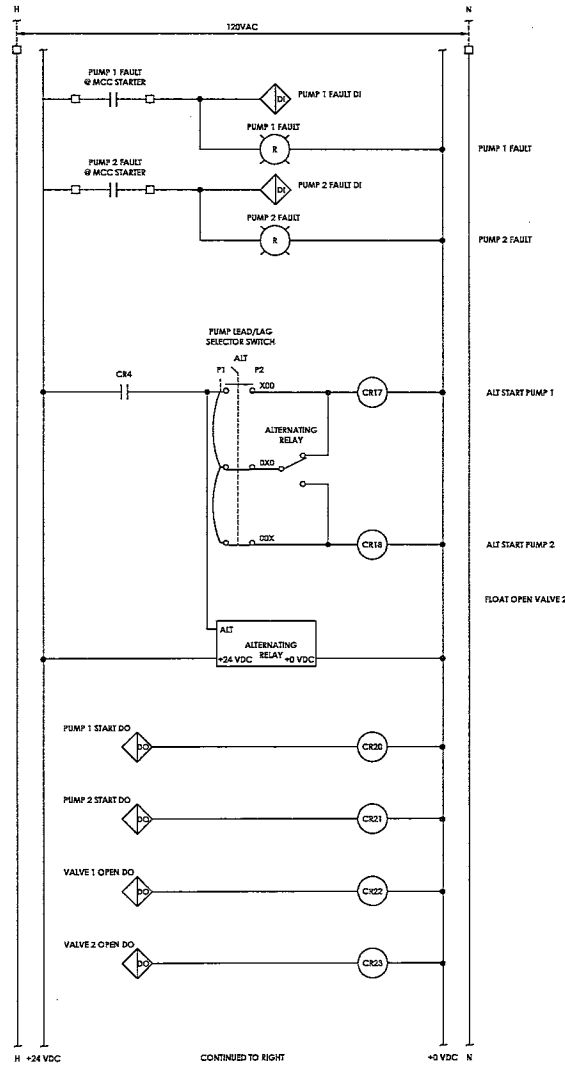
ORICK COMMUNITY SERVICES DISTRICT
WATER SYSTEM IMPROVEMENTS PROJECT TANK 2 REPLACEMENT
CP-2 CONTROL DIAGRAM

SHEET

12.1

PG 25 OF 28

1/17/2022 10:23:34 AM
C:\Work\Local\Res\3027.02\18 ORICK CSD\JWREB\12.1.rvt



SCALE ONE INCH ON ORIGINAL DRAWINGS
 IF NOT ONE INCH ON THIS SHEET, ADJUST SCALES ACCORDINGLY

REVISIONS	
NO.	DATE

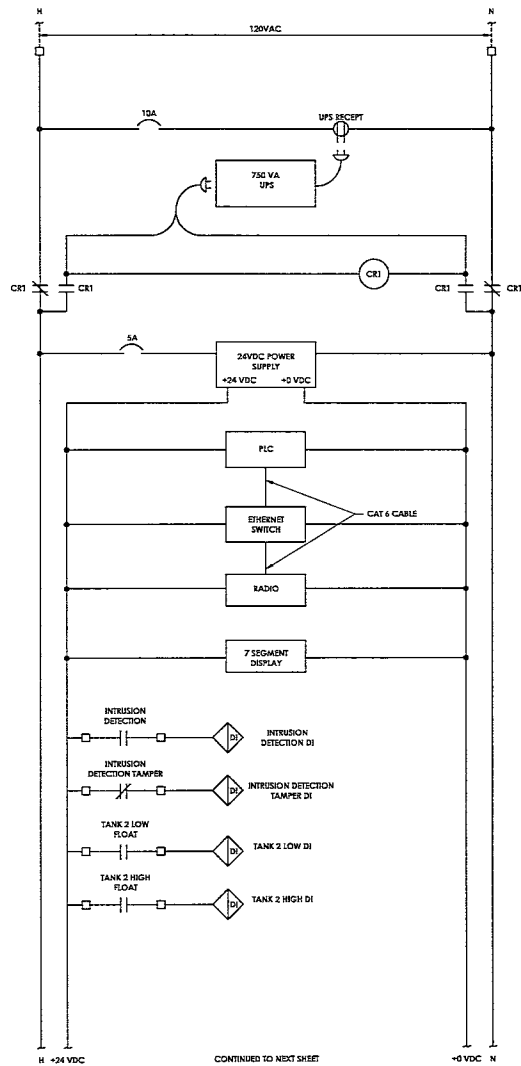
DES: BBO CTD: TB JOB NO.
 DRN: 980 DATE: 12/9/22 3027.02

SIGNED
 PRELIMINARY
 NOT FOR
 CONSTRUCTION

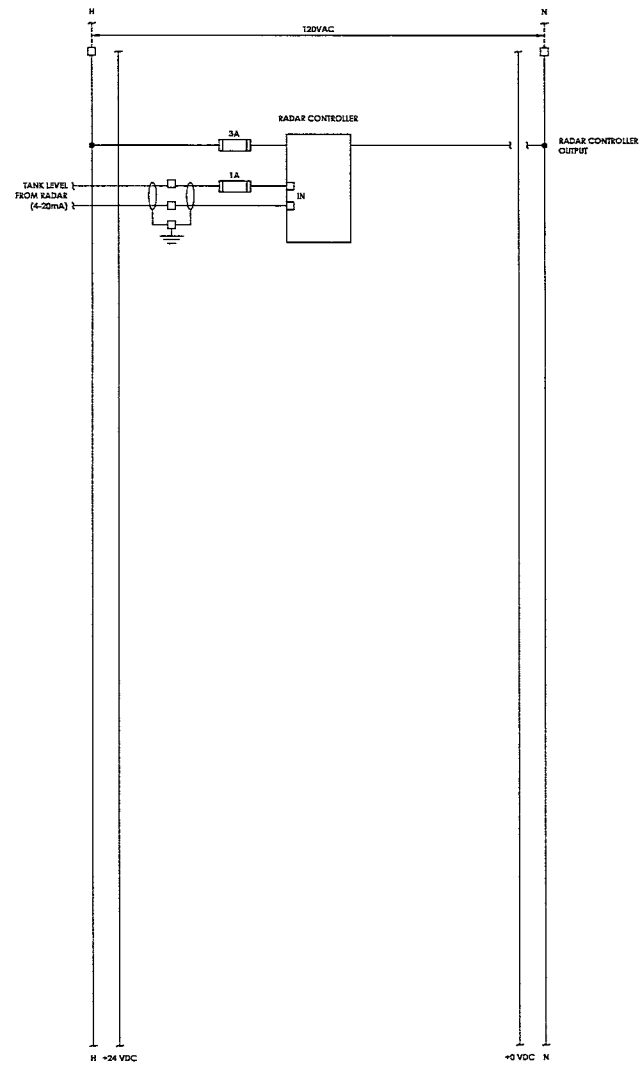
ORICK COMMUNITY SERVICES DISTRICT
 WATER SYSTEM IMPROVEMENTS PROJECT TANK 2 REPLACEMENT
 CP-2 CONTROL DIAGRAM CONTINUED

SHEET
12.2
 PG 26 OF 28

1/11/2022 10:23:37 AM
 C:\Newell\Local Files\3027.02\JHE CHECK\CP2_PIPING\JL221.H



CONTINUED TO NEXT SHEET



TANK 2 CONTROL DIAGRAM VIEW 1/80

SCALE ONE INCH ON ORIGINAL DRAWING
0" 1" 2"
IF NOT ONE INCH ON THIS SHEET, ACQUIRE SCALES ACCORDINGLY

REVISIONS	
NO	DATE



DSE SMA CED TS JOB NO.
DRH 330 DATE 12/9/22 3027.02

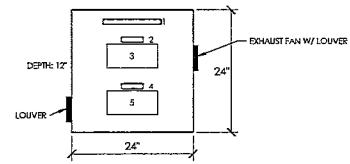
SCHED
PRELIMINARY
NOT FOR
CONSTRUCTION

ORICK COMMUNITY SERVICES DISTRICT
WATER SYSTEM IMPROVEMENTS PROJECT TANK 2 REPLACEMENT
CP-T2 CONTROL DIAGRAM

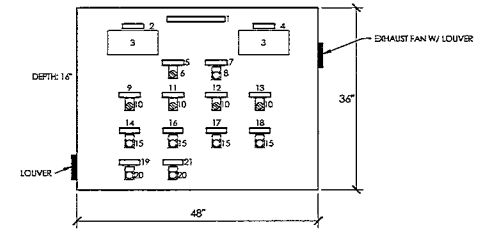
SHEET
13.0
PG 27 OF 28

CONTROL PANEL SCHEDULE		
ITEM	DESCRIPTION	NAMEPLATE/INSCRIPTION
1	NAMEPLATE	CP-2
2	NAMEPLATE	TANK 1 LEVEL (F)
3	DEVICE	RED LION 7 SEGMENT DISPLAY
4	NAMEPLATE	TANK 2 LEVEL (F)
5	NAMEPLATE	TANK SELECT TANK 1 TANK 2
6	2 POSITION SWITCH	-
7	NAMEPLATE	PANEL POWER
8	INDICATING LIGHT WHITE	-
9	NAMEPLATE	PUMP 1 HOA HAND OFF AUTO
10	3 POSITION SWITCH	-
11	NAMEPLATE	PUMP 2 HOA HAND OFF AUTO
12	NAMEPLATE	VALVE 1 OCA OPEN CLOSE AUTO
13	NAMEPLATE	VALVE 2 OCA OPEN OFF AUTO
14	NAMEPLATE	PUMP 1 RUNNING
15	INDICATING LIGHT GREEN	-
16	NAMEPLATE	PUMP 2 RUNNING
17	NAMEPLATE	VALVE 1 OPEN
18	NAMEPLATE	VALVE 2 OPEN
19	NAMEPLATE	PUMP 1 FAULT
20	INDICATING LIGHT RED	-
21	NAMEPLATE	PUMP 2 FAULT

CONTROL PANEL SCHEDULE		
ITEM	DESCRIPTION	NAMEPLATE/INSCRIPTION
1	NAMEPLATE	CP-12
2	NAMEPLATE	TANK 2 LEVEL (F)
3	DEVICE	RED LION 7 SEGMENT DISPLAY
4	NAMEPLATE	RADAR CONTROLLER
5	DEVICE	RADAR CONTROLLER



CP-12 ELEVATION
NTS (2/10)



CP-2 ELEVATION
NTS (1/10)

MAKE ONE INCH ON ORIGINAL DRAWING
IF NOT ONE INCH ON THE SHEET, ADJUST SCALES ACCORDINGLY

REVISIONS		
NO	DATE	DESCRIPTION



DES: 980 CND: TB JOB NO:
DWN: 980 DATE: 12/9/22 3022.02

DESIGNED
PRELIMINARY NOT FOR CONSTRUCTION

ORICK COMMUNITY SERVICES DISTRICT
WATER SYSTEM IMPROVEMENTS PROJECT TANK 2 REPLACEMENT
CONTROL PANEL ELEVATIONS

SHEET
14.0
PG 28 OF 28

12/17/2022 10:03:39 AM
C:\pwork\orick\pna\3022.02\JOB CHECK_CTDL_WINDTIL_P221.rvt